

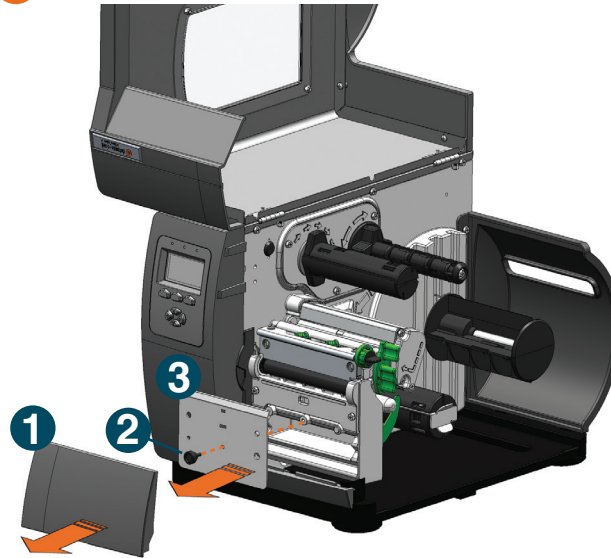
# I-Class™ Mark II

## Peel & Present Installation

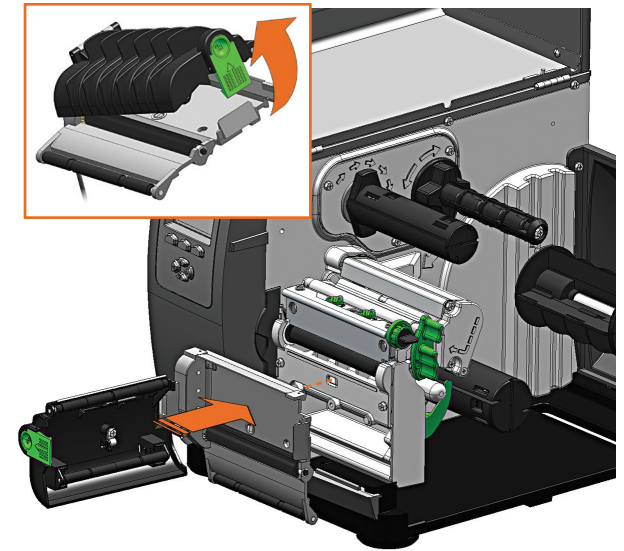
1



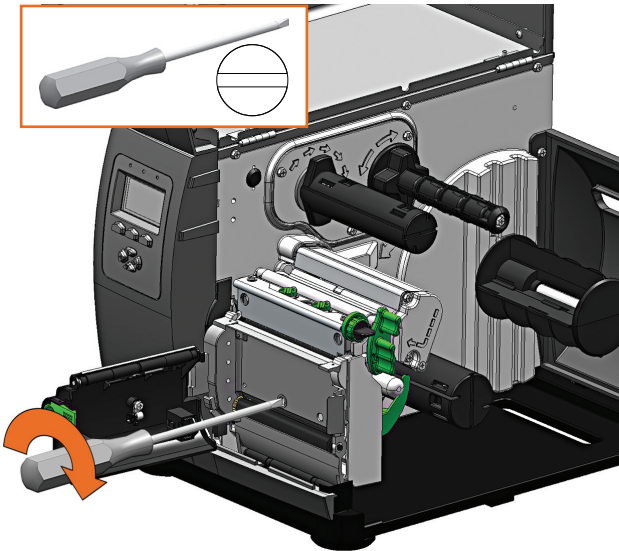
2



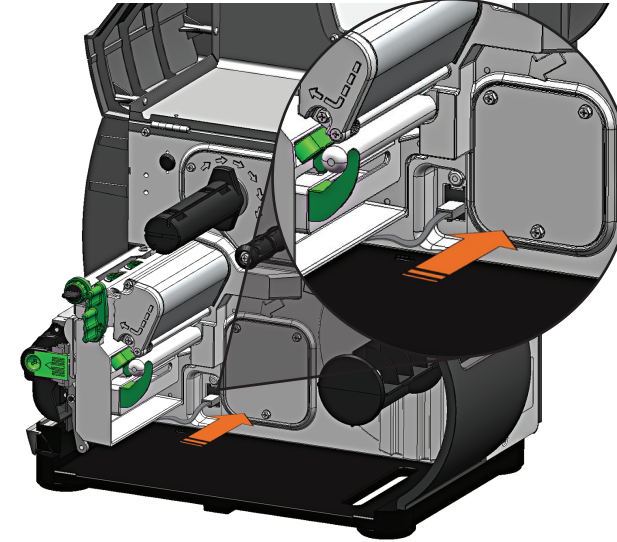
3



4



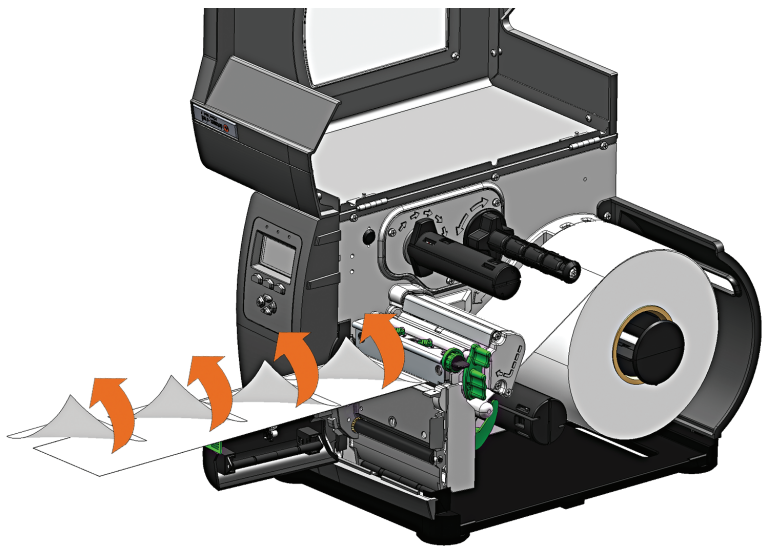
5



6



7



8

