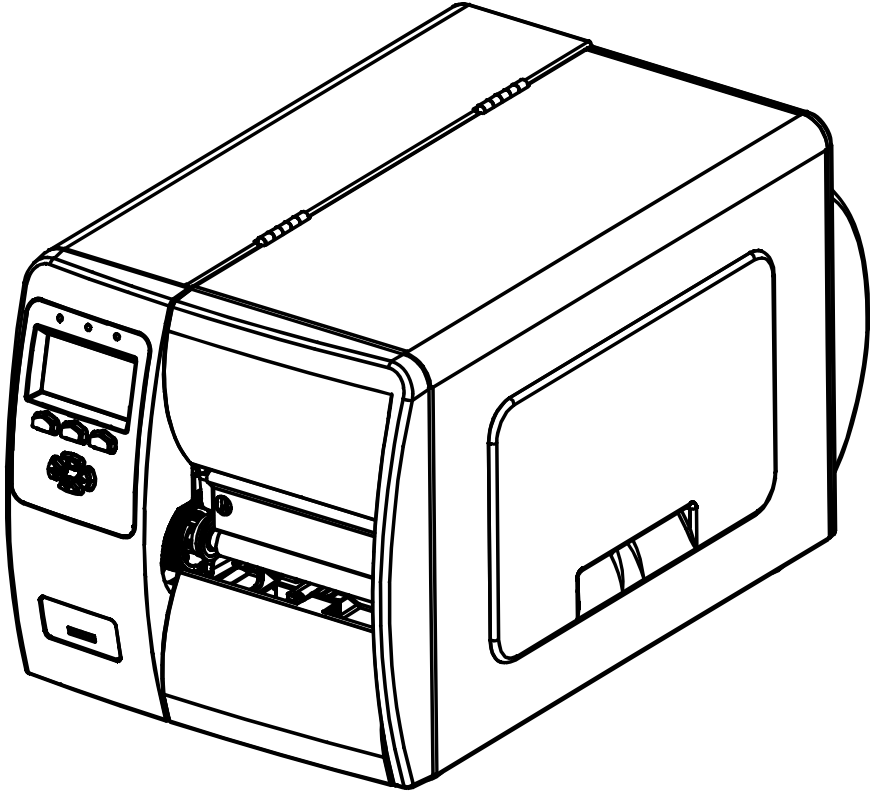


M-Class™ *Mark II*

Media Hubs ■■■



right by our customers. ■■■



datamax·o'neil

Overview

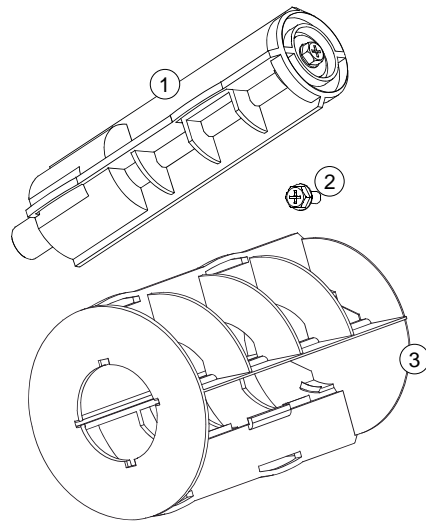
This document describes the contents and installation of the Media Hub options for the M-Class MII printer. Only qualified service personnel should perform this installation. After verifying the kit contents and the tools needed, follow the steps below to install the option.

Contents

The contents of the Media Hub Kit differ according to kit number:

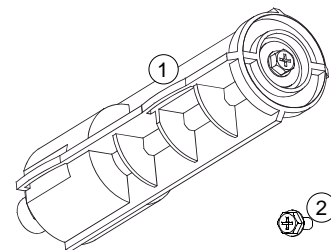
- ▶ (3-Inch Media Hub Kit) contains the following items:

- ① 1.5-Inch Media Hub Assembly
- ② Philips Screw
- ③ Hub Adapter



- ▶ (40-mm Media Hub Kit) contains the following items:

- ① 40-mm Media Hub Assembly (P/N 15-3199-01)
- ② Philips Screw (P/N 10-2903-04)



Tools Required

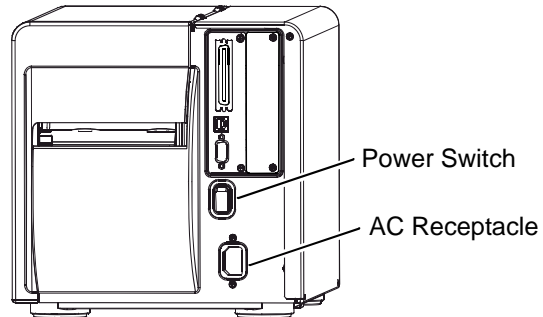
A Phillips screwdriver is needed for installation.

Installation

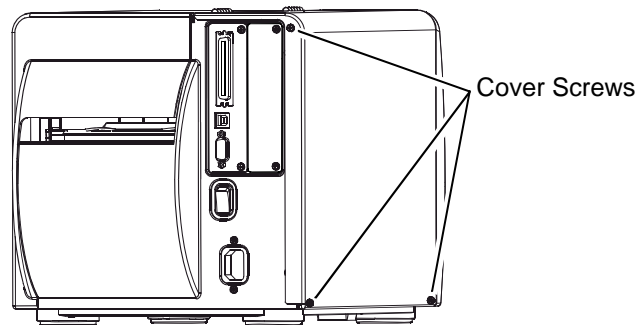


Only qualified service personnel should perform this installation. Always wear a wrist strap and follow standard ESD prevention measures when handling any printer circuit card assembly.

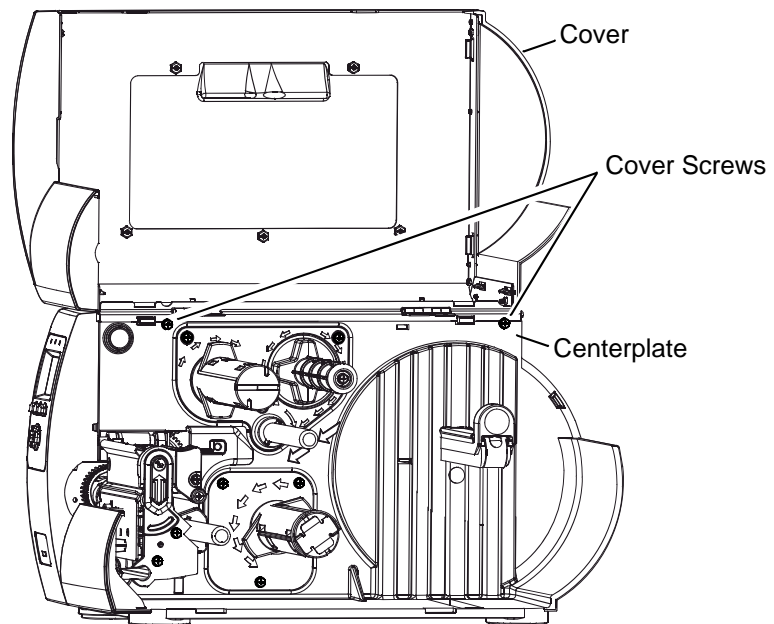
- A)** Turn OFF the **Power Switch** and unplug the power cord from the **AC Receptacle**. Disconnect the interface cable(s).



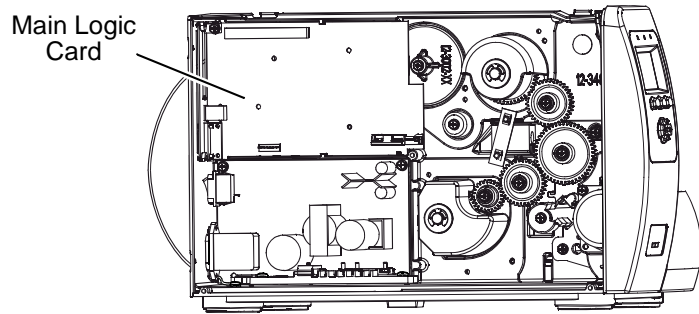
- B)** Remove the **Cover Screws** on the outside of the printer.



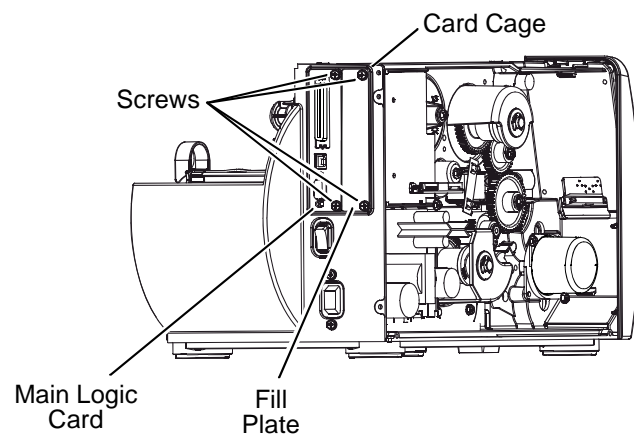
- C)** Raise the **Cover**. Loosen the **Cover Screws** on the **Centerplate** then remove the **Cover**.



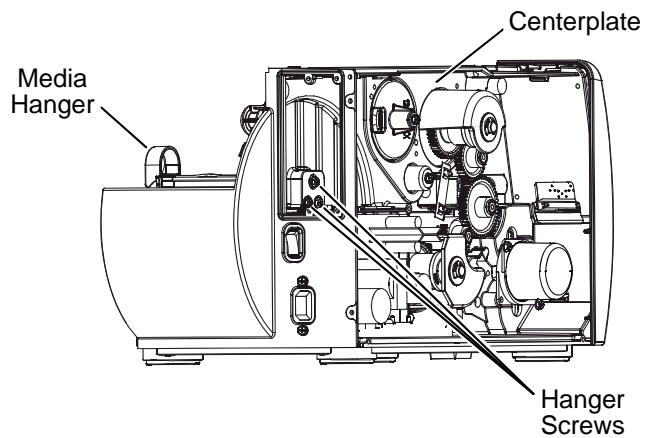
- D)** Disconnect the cables from the **Main Logic Card**.



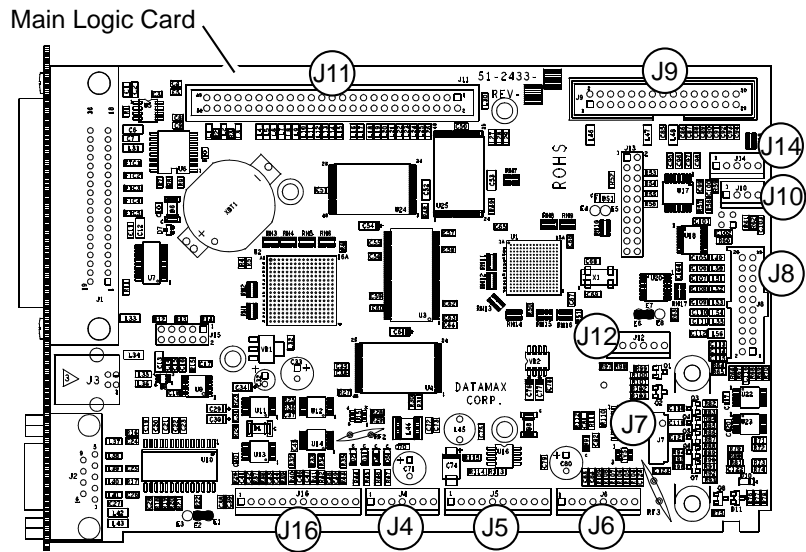
- E)** Remove the **Screws** that secure the **Main Logic Card** and the **Fill Plate** to the **Card Cage**. Remove the **Fill Plate** then slide the **Main Logic Card** out of the printer.



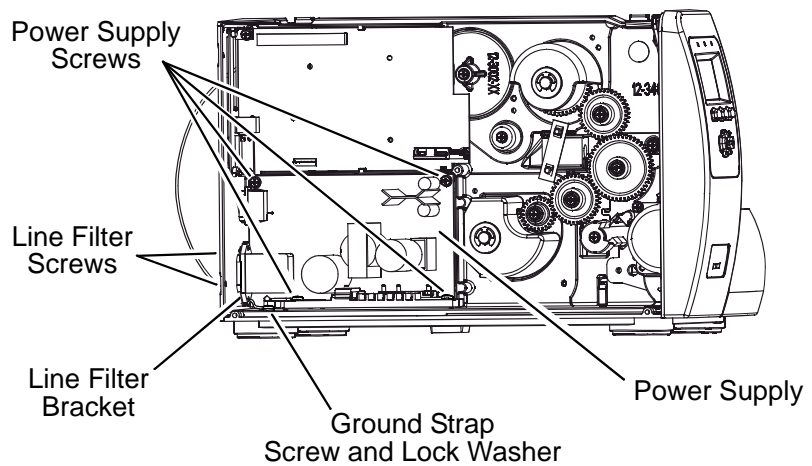
- F)** Remove the **Hanger Screws** that secure the **Media Hanger** to the **Centerplate** and then remove the **Media Hanger**.



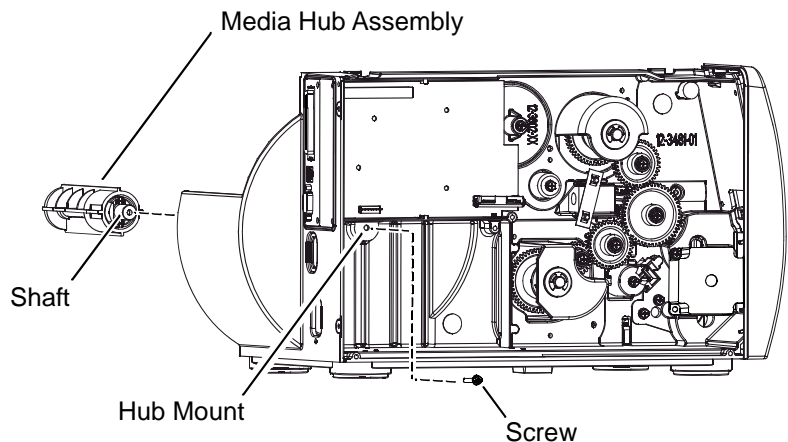
- G) Slide the **Main Logic Card** into the **Card Cage** and replace the **Fill Plate**. Secure the **Main Logic Card** and the **Fill Plate** using the previously removed **Screws**. Reconnect all the cables to the **Main Logic Card**.



- H) Remove the **Ground Strap Screw and Lock Washer**, four **Power Supply Screws**, and two **Line Filter Screws**. Remove the **Line Filter Bracket** and then remove the **Power Supply**.

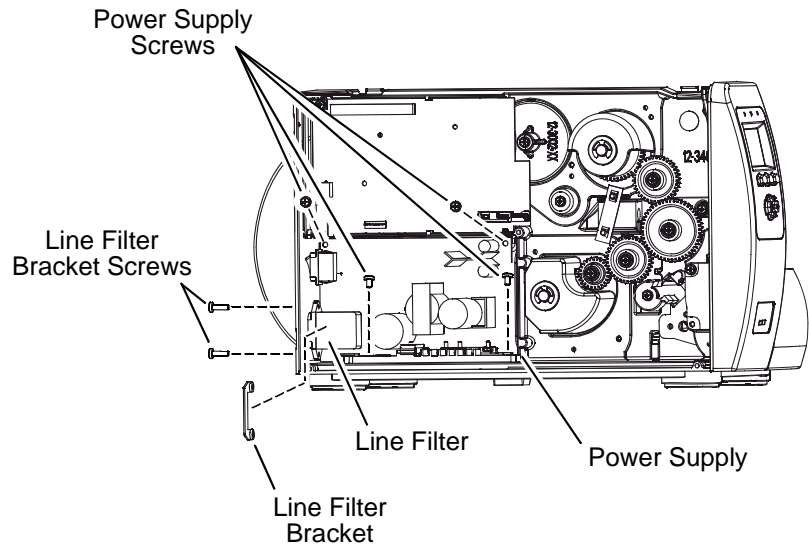


- I) Place the **Media Hub Assembly*** (Item 1) into the **Hub Mount**. Secure the **Shaft** to **Hub Mount** using the **Screw** (Item 2), ensuring that both are completely tightened before proceeding.

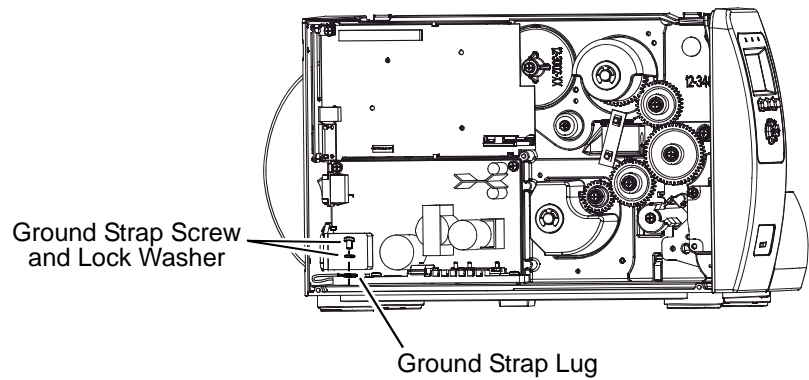


* 3-Inch Media Hub Kit installers – see the note at the end of this document.

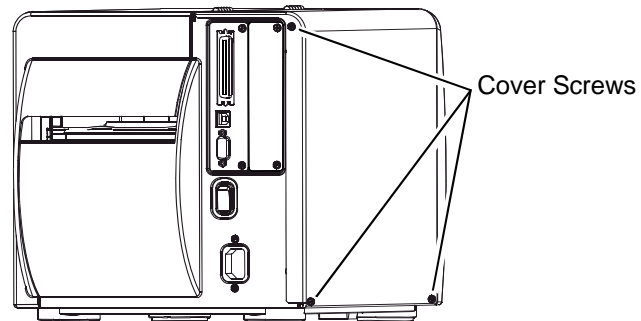
- J) Install the **Power Supply** then place the **Line Filter Bracket** onto the **Line Filter**. Secure the **Power Supply** using the **Power Supply Screws** and the **Line Filter Screws**.



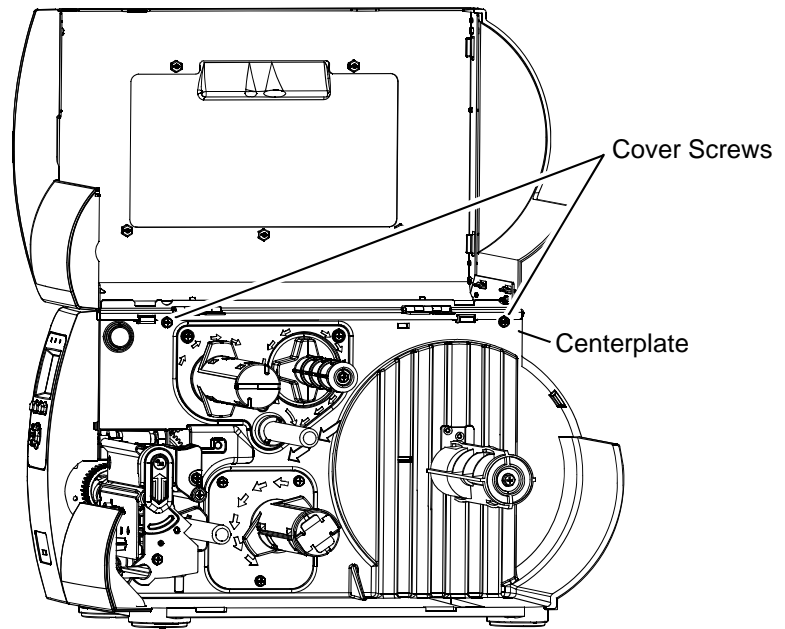
- K) Insert the **Ground Strap Screw** into the **Lock Washer** and the **Ground Strap Lug**. Then secure the **Ground Strap Lug** to the chassis using the **Ground Strap Screw and Lock Washer**.



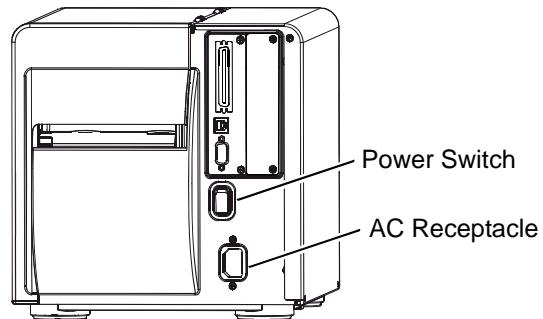
- L) Check all Power Supply cable connections then place the **Cover** onto the printer. Install and tighten the **Cover Screws** on the outside of the printer.



M) Tighten the **Cover Screws** on the **Centerplate**.



N) Connect the interface cable(s). Plug the power cord into the **AC Receptacle** and turn ON the **Power Switch**. This completes the installation process; refer to the *Operator's Manual* for media loading instructions.



Note: The 3-Inch Media Hub Kit is configurable:

To install the **Hub Adapter** (Item 3), align the **Tabs** then slide the **Hub Adapter** over the **1.5-Inch Hub Assembly** until it seats in place; or,

To remove the **Hub Adapter**, grasp and pull.

