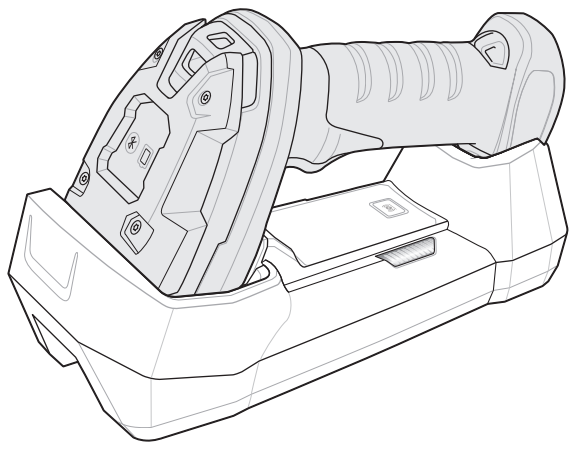
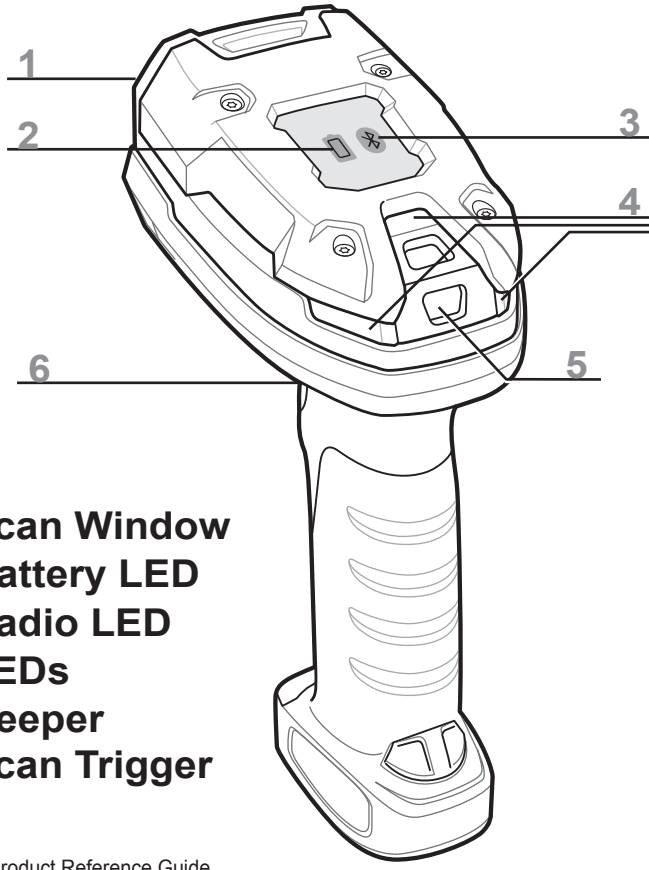


<http://www.zebra.com/3600series>

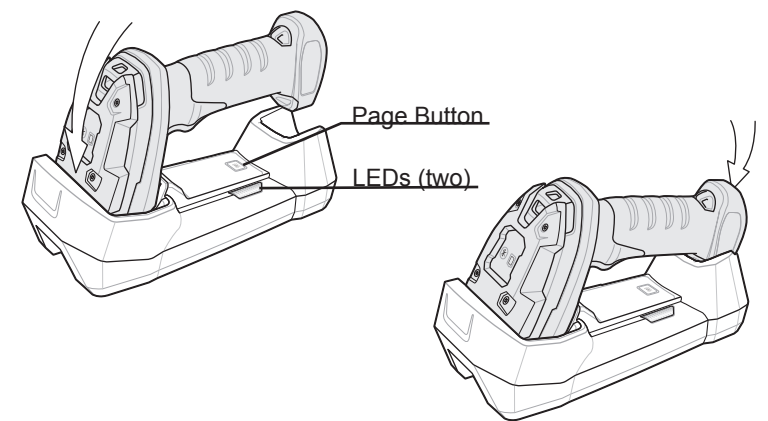


**Digital Scanner**  
**Quick Start Guide**

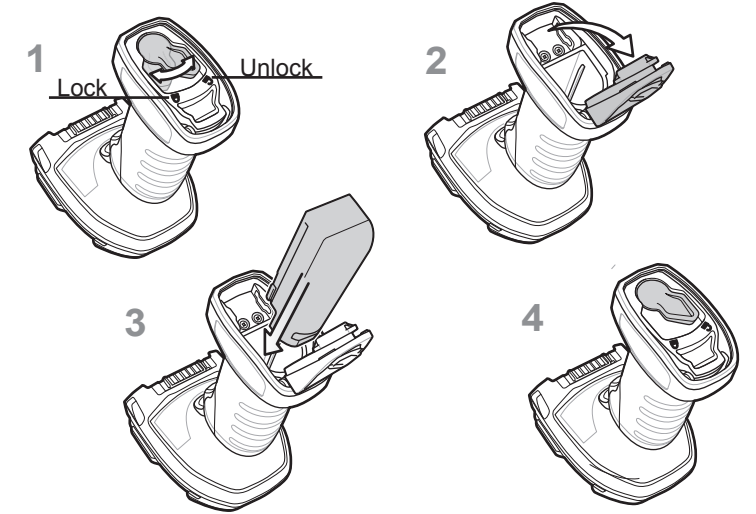


- 1 Scan Window
- 2 Battery LED
- 3 Radio LED
- 4 LEDs
- 5 Beeper
- 6 Scan Trigger

See Product Reference Guide for detailed information



**BATTERY INSERTION/REMOVAL**

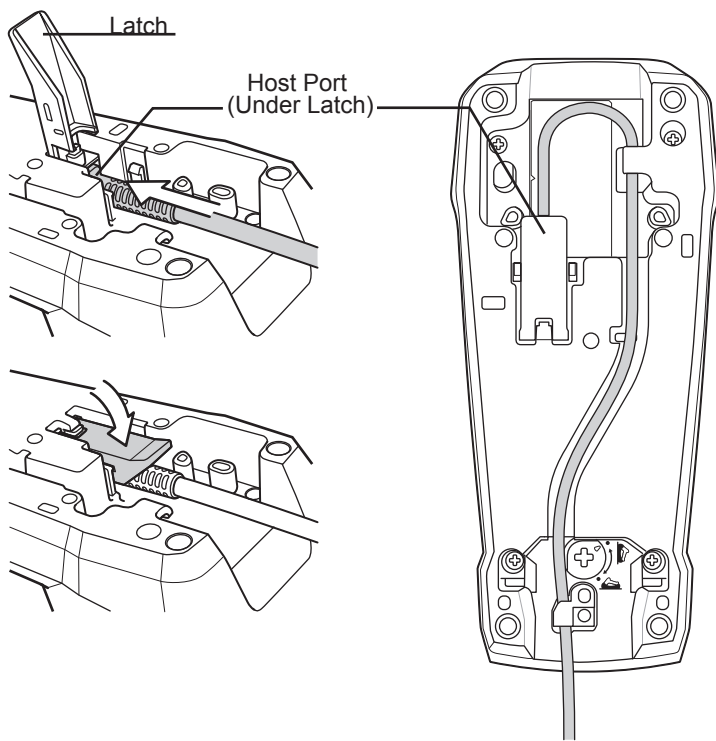


POST IN WORK AREA

**CRADLE CABLE CONNECTION**

**SET DEFAULTS / ENTER KEY BAR CODES**

**TAB KEY BAR CODE**



RETURN TO FACTORY DEFAULTS

**ADD AN ENTER KEY (Carriage Return/Line Feed)**

To add an Enter key after scanned data, scan the bar code below.



ADD AN ENTER KEY (CARRIAGE RETURN/LINE FEED)

**ADD A TAB KEY**

To add a Tab key after scanned data, scan the bar code below.



ADD A TAB KEY

**USB CAPS LOCK OVERRIDE BAR CODE**



USB - OVERRIDE CAPS LOCK KEY (ENABLE)



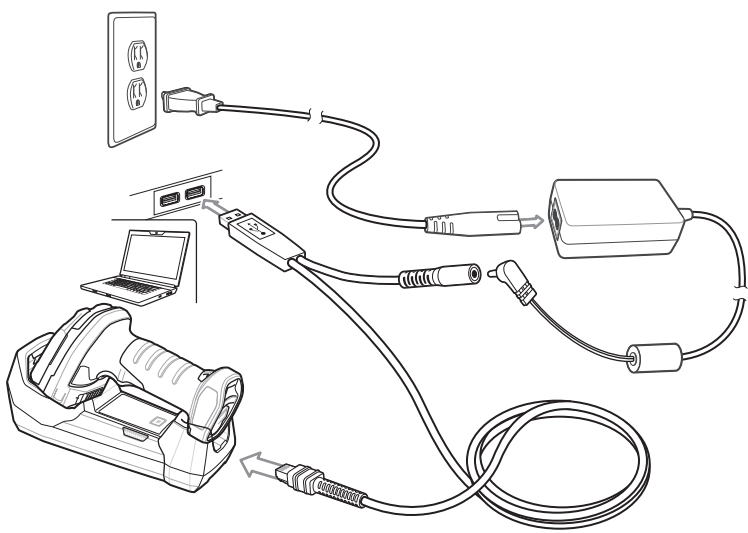
\*USB - DO NOT OVERRIDE CAPS LOCK KEY (DISABLE)

**STEP 1 - CONNECT HOST INTERFACE**

**STEP 2 - SET UP INTERFACE (Scan Host Bar Codes)**

**USB**

**NOTE:** Cables may vary depending on configuration



**USB**

Scan **ONE** of the bar codes below

The interface cable automatically detects the host interface type and uses the default setting. If the default (\*) does not meet your requirements, scan another host bar code below.



\*USB KEYBOARD (HID)



USB CDC Host



SIMPLE COM PORT EMULATION



IBM TABLE TOP USB



SSI OVER USB CDC



SNAPI WITHOUT IMAGING

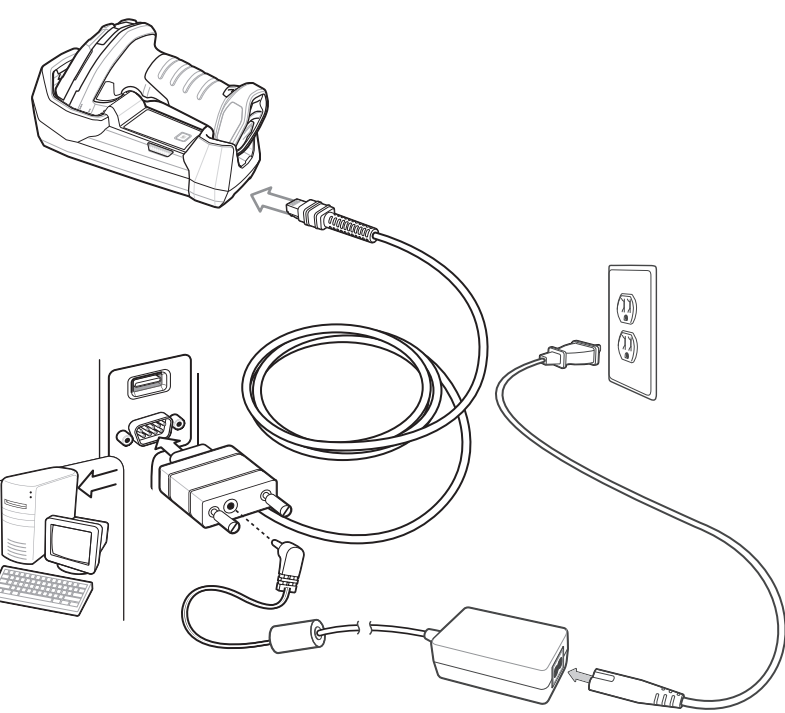


SNAPI WITH IMAGING



IBM HAND-HELD USB

**RS-232**



**RS-232**

Scan **ONE** of the bar codes below

The interface cable automatically detects the host interface type and uses the default setting. If the default (\*) does not meet your requirements, scan another host bar code below.



\*STANDARD RS-232



NIXDORF RS-232 MODE B



ICL RS-232



FUJITSU RS-232

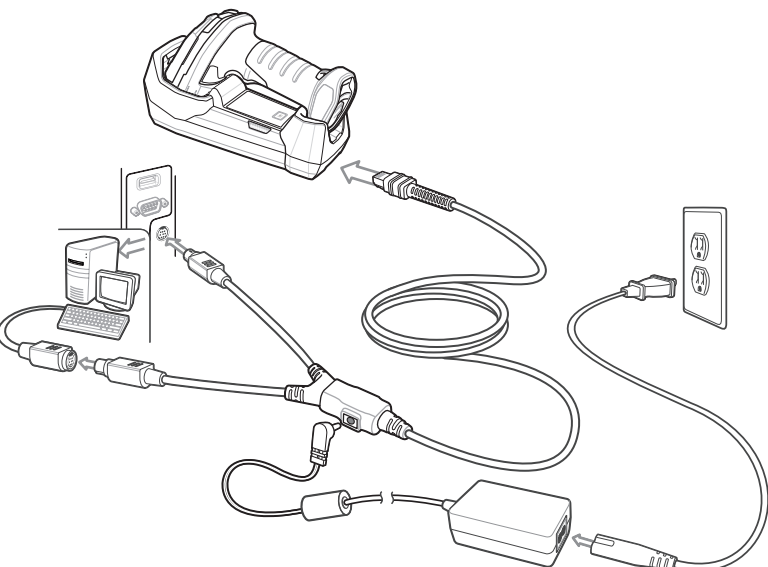


NIXDORF RS-232 MODE A



OPOS/JPOS

**Keyboard Wedge**



**Keyboard Wedge**

Scan a bar code below

The Auto-Host Detect Cable feature automatically detects the host interface type and uses the default setting. If the default (\*) does not meet your requirements, scan the IBM PC/AT and IBM PC COMPATIBLE bar code below.

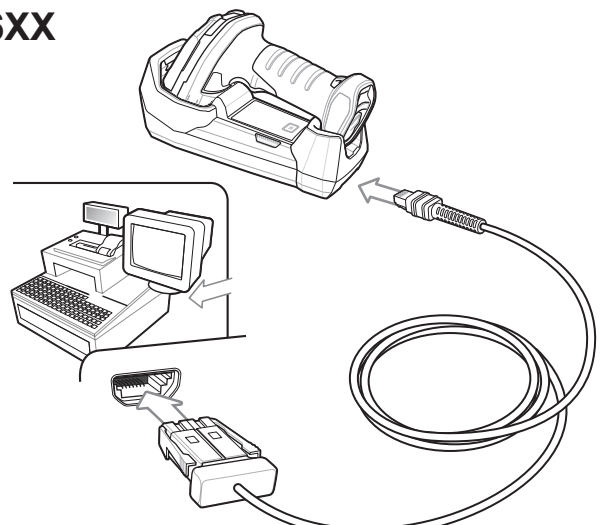


\*IBM AT NOTEBOOK



IBM PC/AT and IBM PC COMPATIBLE

**IBM 46XX**



**IBM 46XX**

Scan **ONE** of the bar codes below

The Auto-Host Detect Cable feature automatically detects the host interface type, but there is no default setting. Scan one of the bar codes below to select the appropriate port.



NON-IBM SCANNER EMULATION (PORT 5B)



TABLE-TOP SCANNER EMULATION (PORT 17)



HAND-HELD SCANNER EMULATION (PORT 9B)

**123Scan<sup>2</sup>**

123Scan<sup>2</sup> is an easy-to-use, PC-based software tool that enables rapid and easy customized setup of a scanner via a bar code or USB cable. For more information, visit: [http://www.zebra.com/123Scan<sup>2</sup>](http://www.zebra.com/123Scan2).



# DS3678 DIGITAL SCANNER

POST IN WORK AREA

## DS3678 - HP/HD Aiming



Cover the entire bar code with the aiming pattern to ensure it is within the field of view.

## DS3678 - SR Aiming



For best results, aim the aiming dot at the center of the bar code.

## DS3678 - ER Aiming



Cover the entire bar code with the aiming pattern to ensure it is within the field of view.

## DS3678 - DP Aiming



For best results, aim the aiming dot at the center of the bar code.

## RECOMMENDED USAGE GUIDE - OPTIMUM BODY POSTURE

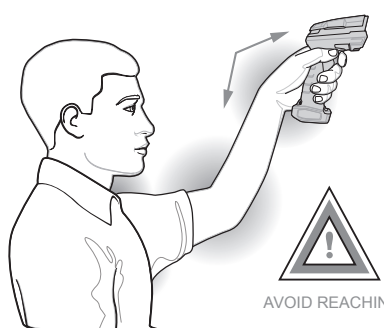
### Avoid Extreme Wrist Angles



### Avoid Bending



### Avoid Reaching



### Health and Safety Recommendation

Ergonomic Recommendations
Caution: In order to avoid or minimize the potential risk of ergonomic injury follow the recommendations below. Consult with your local Health & Safety Manager to ensure that you are adhering to your company's safety programs to prevent employee injury.

## BEEPER INDICATIONS

Table with 2 columns: Indication, Beeper Sequence. Rows include Power up, Bar code decoded, Transmission error detected, etc.

## LED INDICATIONS

Table with 2 columns: Indication, LED Indicator. Rows include Scanner is on and ready to scan, Bar code is successfully decoded, Transmission error, etc.

Note: In addition to the System/Decode LEDs, the DS3678 cordless digital scanner has a Radio and Battery LED gauge. Refer to the DS3678 Product Reference Guide for detailed information.

Local Contact: \_\_\_\_\_

## TROUBLESHOOTING

Table with 2 columns: Scanner not working, Scanner decoding bar code, but data not transmitting to host. Rows include No power to scanner, Scanner is disabled, Host interface not configured properly, etc.

Table with 2 columns: Scanner not decoding bar code, Scanned data incorrectly displayed on host. Rows include Scanner not programmed for bar code type, Bar code unreadable, Distance between scanner and bar code incorrect, etc.

## REGULATORY INFORMATION

Warranty
For the complete Zebra hardware product warranty statement, go to: http://www.zebra.com/warranty.

For Australia Only
This warranty is given by Zebra Technologies Asia Pacific Pte. Ltd., 71 Robinson Road, #05-02/03, Singapore 068895, Singapore. Our goods come with guarantees that cannot be excluded under the Australia Consumer Law.

Service Information
If you have a problem using the equipment, contact your facility's Technical or Systems Support. If there is a problem with the equipment, they will contact the Zebra Global Customer Support Center at: http://www.zebra.com/support.

Waste Electrical and Electronic Equipment (WEEE)
English: For EU Customers: All products at the end of their life must be returned to Zebra for recycling.

Regulatory Information
This device is approved under Zebra Technologies Corporation. This guide applies to Model Number: DS3678. All Zebra devices are designed to be compliant with rules and regulations in locations they are sold and will be labeled as required.

Bluetooth® Wireless Technology
This is an approved Bluetooth® product. For more information or to view the End Product Listing, visit https://www.bluetooth.org/tpp/listings.cfm.

Wireless Device Country Approvals
Note: This section is only applicable to WW/W/REU configurations. Regulatory markings, subject to certification, are applied to the device signifying the radio(s) is/are approved for use in the following countries: United States, Canada, Japan, China, S. Korea, Australia, and Europe.

Please refer to the Declaration of Conformity (DoC) for details of other country markings. This is available at http://www.zebra.com/doc.

Note: Europe includes Austria, Belgium, Bulgaria, Czech Republic, Cyprus, Denmark, Estonia, Finland, France, Germany, Greece, Hungary, Iceland, Ireland, Italy, Latvia, Liechtenstein, Lithuania, Luxembourg, Malta, Netherlands, Norway, Poland, Portugal, Romania, Slovak Republic, Slovenia, Spain, Sweden, Switzerland and the United Kingdom.

Warnings for Use of Wireless Devices
Caution: Operation of the device without regulatory approval is illegal.

Safety in Hospitals
Wireless devices transmit radio frequency energy and may affect medical electrical equipment. Wireless devices should be switched off wherever you are requested to do so in hospitals, clinics or health care facilities.

Other Medical Devices
Please consult your physician or the manufacturer of the medical device, to determine if the operation of your wireless product may interfere with the medical device.

RF Exposure Guidelines
Safety Information
Reducing RF Exposure - Use Properly
Only operate the device in accordance with the instructions supplied.

International
The device complies with internationally recognized standards covering human exposure to electromagnetic fields from radio devices. For information on 'International' human exposure to electromagnetic fields refer to the Zebra Declaration of Conformity (DoC) at http://www.zebra.com/doc.

Europe - Handheld Devices
This device was tested for typical body worn or handheld operation. Use only Zebra tested and approved belt-clips, holsters, and similar accessories to ensure FCC Compliance. The use of third-party belt clips, holsters, and similar accessories may not comply with FCC RF exposure compliance requirements, and should be avoided.

US and Canada
Co-located Statement
To comply with FCC RF exposure compliance requirement, the antenna used for this transmitter must not be co-located or operating in conjunction with any other transmitter/antenna except those already approve in this filing.

Handheld Devices
This device was tested for typical body worn or handheld operation. Use only Zebra tested and approved belt-clips, holsters, and similar accessories to ensure FCC Compliance. The use of third-party belt clips, holsters, and similar accessories may not comply with FCC RF exposure compliance requirements, and should be avoided.

To satisfy US and Canadian RF exposure requirements, a transmitting device must operate with a minimum separation distance of 0 cm or more from a person's body.

Pour satisfaire aux exigences Américaines et Canadiennes d'exposition aux radio fréquences, un dispositif de transmission doit fonctionner avec une distance de séparation minimale de 0 cm ou plus de corps d'une personne.

Laser Devices
Class 2 laser scanners use a low power, visible light diode. As with any very bright light source such as the sun, the user should avoid staring directly into the light beam. Momentary exposure to a Class 2 laser is not known to be harmful. The following statement is required to comply with US and international regulations.

Caution: Use of controls, adjustments, or the performance of procedures other than those specified herein may result in hazardous laser light exposure.

LED Compliance Statement:
Classified as 'EXEMPT RISK GROUP' according to IEC 62471:2006 and EN 62471:2008. Pulse duration: Continuous.

Scanner Labeling
LASER LIGHT - DO NOT STARE INTO BEAM CLASS 2 LASER PRODUCT.
DS3678-SR - Label not applicable.
DS3678-DP - Label located on side.

Batteries
Taiwan - Recycling
廢電池請回收
EPA (Environmental Protection Administration) requires dry battery producing or importing firms in accordance with Article 15 of the Waste Disposal Act are required to indicate the recycling marks on the batteries used in sales, giveaway or promotion.

Battery Information
Caution: Risk of explosion if battery is replaced by an incorrect type. Dispose of batteries according to instructions.

Use only Zebra approved batteries. Accessories which have battery charging capability are approved for use with the following battery models: Part Number 82-166537-01 (3.6 Vdc, 3150 mAh).

Zebra approved rechargeable battery packs are designed and constructed to the highest standards within the industry.

However, there are limitations to how long a battery can operate or be stored before needing replacement. Many factors affect the actual life cycle of a battery pack, such as heat, cold, harsh environmental conditions and severe drops.

When batteries are stored over six months, some irreversible deterioration in overall battery quality may occur. Store batteries at half of full charge in a dry, cool place, removed from the equipment to prevent loss of capacity, rusting of metallic parts and electrolyte leakage.

Standard warranty period for all Zebra batteries is 30 days, regardless if the battery was purchased separately or included as part of the mobile computer or bar code scanner. For more information on Zebra batteries, please visit: http://www.zebra.com/batterybasics.

Radio Frequency Interference Requirements - FCC

Tested to comply with FCC Standards FOR HOME OR OFFICE USE

Note: This equipment has been tested and found to comply with the limits for a Class B digital device, pursuant to Part 15 of the FCC rules. These limits are designed to provide reasonable protection against harmful interference in a residential installation.

Radio Transmitters (Part 15)
This device complies with Part 15 of the FCC Rules. Operation is subject to the following two conditions:
(1) this device may not cause harmful interference, and
(2) this device must accept any interference received, including interference that may cause undesired operation.

Radio Frequency Interference Requirements - Canada
CAN/ICES-3 (B)/NMB-2(B)
Radio Transmitters
This device complies with industry Canada's license-exempt RSSs. Operation is subject to the following two conditions:

(1) this device may not cause harmful interference and
(2) this device must accept any interference, including interference that may cause undesired operation of the device.

Cet appareil est conforme exempts de licence le flux RSS de Industrie Canada. Son fonctionnement est soumis aux deux conditions suivantes:
(1) le dispositif ne peut causer des interférences; et
(2) cet appareil doit accepter toute interférence, y compris les interférences qui peuvent causer un mauvais fonctionnement de l'appareil.

Marking and European Economic Area (EEA)
Bluetooth® Wireless Technology for use through the EEA has the following restrictions:
Maximum radiated transmit power of 100mW EIRP in the frequency range 2.400-2.4835 GHz.

Statement of Compliance
Zebra hereby declares that this radio equipment is in compliance with directive 2011/65/EU and 1999/5/EC or 2014/53/EU (2014/53/EU supersedes 1999/5/EC from 13th June 2017). The full text of the EU Declaration of Conformity is available at the following internet address: http://www.zebra.com/doc.

Other Countries
Japan (VCCI) - Voluntary Control Council for Interference Class B ITE
この装置は、情報処理装置等電波障害自主規制協議会（VCCI）の基準に基づくクラスB情報技術装置です。この装置は、家庭環境で使用することを目的としていますが、この装置がラジオやテレビジョン受信機に近接して使用される、受信障害を引き起こすことがあります。取扱説明書に従って正しい取り扱いをして下さい。

Korea Warning Statement for Class B ITE
기종별 사용자 안내
B급 기기 (가정용 방송통신기기) 이 기기는 가정용(B급)으로 전자파적합특성을 한 기기로서 주로 가정에서 사용하는 것을 목적으로 하며, 모든 지역에서 사용할 수 있습니다.

Brazil (UNWANTED EMISSIONS - ALL PRODUCTS)
Regulatory declarations for DS3678 - BRAZIL
For more information consult the website www.anatel.gov.br
NOTA: A marca de certificação se aplica ao Equip. de Radiação Restrita, modelo DS3678. Este equipamento opera em caráter secundário, isto é, não tem prioridade de acesso à interferência prejudicial, mesmo de estações do mesmo tipo, e não pode causar interferência a sistemas operando em caráter primário. Para maiores consultas sobre ANATEL consulte o site: www.anatel.gov.br.

China
This device has been tested and found to comply with the requirements of the China RoHS requirements.
This device complies with the requirements of the China RoHS requirements.
This device complies with the requirements of the China RoHS requirements.

Ukraine
Дане обладнання відповідає вимогам технічного регламенту №1057, № 2008 на обмеження щодо використання деяких небезпечних речовин в електричних та електронних пристроях.

Taiwan
臺灣
低功率電波輻射性電機管理辦法
第十二條
經型式認證合格之低功率射頻電機，非經許可，公司、商號或使用者均不得擅自變更頻率、加大功率或變更原設計之特性及功能。

第十四條
低功率射頻電機之使用不得影響航空安全及干擾合法通信；經發現有干擾現象時，應立即停止，並改善至無干擾時方得繼續使用。
前項合法通信，指依電機法規作業之無線電通信。

低功率射頻電機須符合合法通信或工業、科學及醫療用電波輻射性電機設備之干擾。

S. Korea
당해 무선설비는 운용 중 전파혼신 가능성이 있음
당해 무선설비는 전파혼신 가능성이 있으므로 인명안전과 관련된 서비스를 할 수 없습니다.

Thailand
เครื่องโทรคมนาคมและอุปกรณ์นี้ มีความสอดคล้องตามข้อกำหนดของ กทท.

Eurasian Customs Union
Евразийский Таможенный Союз
Данный продукт соответствует требованиям знака ЕАС.

Battery Safety Guidelines
The areas in which the units are charged should be clear of debris and combustible materials or chemicals. Particular care should be taken where the device is charged in a non commercial environment.

Follow battery usage, storage, and charging guidelines found in the user's guide.
Improper battery usage may result in a fire, explosion, or other hazard.

To charge the mobile device battery, the battery and charger temperatures must be between +32 °F and +104 °F (0 °C and +40 °C).

Do not use incompatible batteries and chargers. Use of an incompatible battery or charger may present a risk of fire, explosion, leakage, or other hazard. If you have any questions about the compatibility of a battery or a charger, contact Zebra support.

For devices that utilize a USB port as a charging source, the device shall only be connected to products that bear the USB-IF logo or have completed the USB-IF compliance program.

Do not disassemble or open, crush, bend or deform, puncture, or shred.
Severe impact from dropping any battery-operated device on a hard surface could cause the battery to overheat.

Do not short circuit a battery or allow metallic or conductive objects to contact the battery terminals.
Do not modify or remanufacture, attempt to insert foreign objects into the battery, immerse or expose to water or other liquids, or expose to fire, explosion, or other hazard.

Do not leave or store the equipment in or near areas that might get very hot, such as in a parked vehicle or near a radiator or other heat source. Do not place battery into a microwave oven or dryer.

Battery usage by children should be supervised.
Please follow local regulations to promptly dispose of used re-chargable batteries.

Do not dispose of batteries in fire.
Seek medical advice immediately if a battery has been swallowed.

In the event of a battery leak, do not allow the liquid to come in contact with the skin or eyes. If contact has been made, wash the affected area with large amounts of water and seek medical advice.

If you suspect damage to your equipment or battery, contact Zebra support to arrange for inspection.

ZEBRA
Zebra Technologies Corporation
3 Overlook Point
Lincolnshire, IL U.S.A.
http://www.zebra.com

© 2017 ZIH Corp and/or its affiliates. All rights reserved. ZEBRA and the stylized Zebra head are trademarks of ZIH Corp, registered in many jurisdictions worldwide. All other trademarks are the property of their respective owners.



MN002648A02 Rev A May 2017

# DS3678 DIGITAL SCANNER