

CR0078-P Cradles

Quick Reference Guide



Zebra reserves the right to make changes to any product to improve reliability, function, or design.

Zebra does not assume any product liability arising out of, or in connection with, the application or use of any product, circuit, or application described herein.

No license is granted, either expressly or by implication, estoppel, or otherwise under any patent right or patent, covering or relating to any combination, system, apparatus, machine, material, method, or process in which Zebra products might be used. An implied license exists only for equipment, circuits, and subsystems contained in Zebra products.

This product may include Software, Commercial Third Party Software, and Publicly Available Software. Refer to the Product Reference Guide for complete copyright, conditions and disclaimer information.

Warranty

For the complete Zebra hardware product warranty statement, go to:
<http://www.zebra.com/warranty>.

For Australia Only

This warranty is given by Zebra Technologies Asia Pacific Pte. Ltd., 71 Robinson Road, #05-02/03, Singapore 068895, Singapore. Our goods come with guarantees that cannot be excluded under the Australia Consumer Law. You are entitled to a replacement or refund for a major failure and compensation for any other reasonably foreseeable loss or damage. You are also entitled to have the goods repaired or replaced if the goods fail to be of acceptable quality and the failure does not amount to a major failure.

Zebra Technologies Corporation Australia's limited warranty above is in addition to any rights and remedies you may have under the Australian Consumer Law. If you have any queries, please call Zebra Technologies Corporation at +65 6858 0722. You may also visit our website: <http://www.zebra.com> for the most updated warranty terms.

Introduction

The cordless scanner cradle model CR0078 (part CR0078-P) acts as a stand, charger and host communication interface for DS6878 cordless scanners. The CR0078-P cradle receives data from the scanner via a Bluetooth radio, and sends that data to the host through an attached cable. The cradle also charges the scanner's internal battery pack when the scanner is inserted. The cradle must be powered by an external power supply.

This document provides basic instructions on setting up and using the cradle.

Configurations

This guide includes information on the following configurations:

- CR0078-PC1F09BWR - Cordless scanner cradle; hands-free presentation, charging, Bluetooth, FIPS, healthcare white
- CR0078-PC1F007WR - Cordless scanner cradle; hands-free presentation, charging, Bluetooth, FIPS, twilight black

Accessories

The following equipment is needed:

- Power Supply (see [Power Supply on page 11](#) for detailed requirements)
- Line Cord
- Host Cable

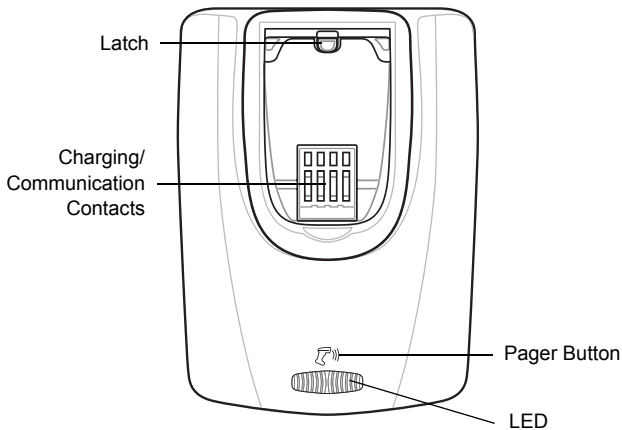


IMPORTANT For USB interface, only use a cable with a shielded modular plug (for example: CBA-U21-S07ZAR or CBA-U29-S15ZAR)

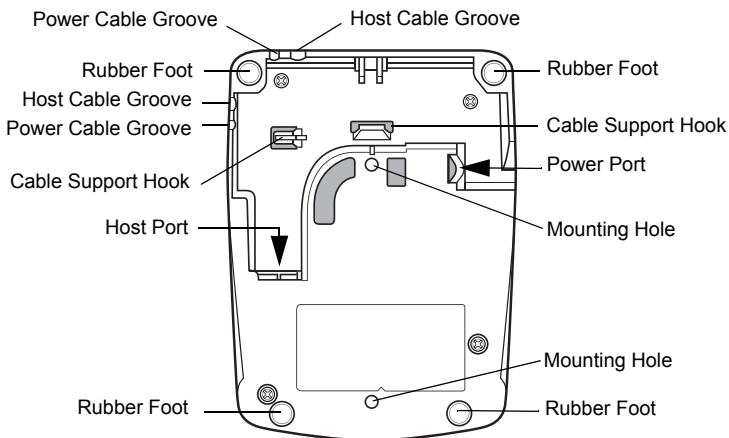
Save the shipping container for storing or shipping. Inspect all equipment for damage. If anything is damaged or missing, call an authorized Customer Support Representative immediately.

Cradle Parts

Front



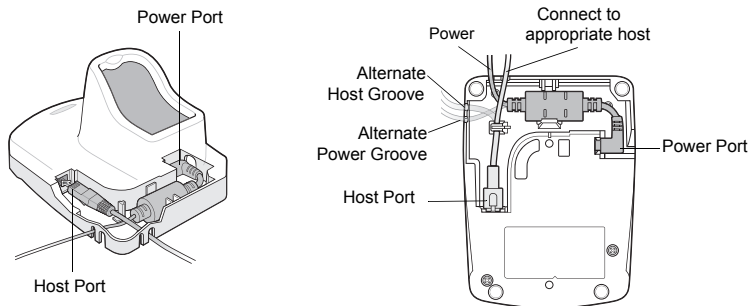
Back



Cradle Connections

Important: Connect the interface cable and power supply in the following order to ensure proper operation of the scanner and cradle:

1. Insert the interface cable into the cradle's host port.
2. Connect the other end of the interface cable to the host.
3. Connect the power supply to the cradle's power port.
4. Connect the appropriate cable to the power supply and AC power source.
5. Thread the interface cable over the cable support hook (see [Cradle Parts on page 4](#)) and run the host and power cables into their respective cable grooves.
6. If necessary, scan the appropriate host bar code (for non-autodetected interfaces). Refer to the [DS6878 Product Reference Guide, p/n 72-131700-xx](#).



Changing the Host Interface

To connect to a different host, or to the same host through a different cable:

1. Unplug the power supply from the cradle.
2. Unplug the interface cable from the host.
3. Connect the interface cable to the new host, or the new interface cable to the existing host.
4. Reconnect the power supply.
5. If necessary, scan the appropriate host bar code with a paired scanner (for non-autodetected interfaces). Refer to the [DS6878 Product Reference Guide, p/n 72-131700-xx](#).

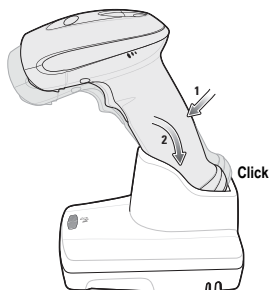


If the cradle does not recognize the host, disconnect the power supply, then reconnect after connecting the host cable.

Inserting the Scanner in the Cradle

To insert the scanner in the cradle:

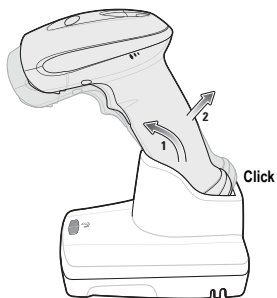
1. Insert the scanner by placing the bottom of the scanner, at a slight forward angle, into the CR0078-P cradle.
2. Push the handle back and down until it clicks, engaging the contacts of the scanner and cradle.



Removing the Scanner from the Cradle

To remove the scanner from the cradle:

1. Remove the scanner by pushing the scanner slightly forward and up out of the CR0078-P cradle.



Sending Data to the Host Computer

The cradle receives data from the scanner via a wireless radio connection and transmits it to the host computer via the host cable. The scanner and cradle must be paired for successful wireless communication.

Pairing

Pairing registers a scanner to the cradle so that the scanner and cradle can exchange information. The CR0078-P Series operates in the following modes: scanner-to-cradle, point-to-point, multi scanner-to-cradle and multipoint-to-point. In scanner-to-cradle mode, the scanner is paired to the cradle by inserting the scanner into the cradle. In multi scanner-to-cradle mode, up to seven scanners can be paired to one cradle. A multipoint bar code must be scanned to activate this feature.

When the scanner is inserted in the cradle, a low-high beep sequence indicates successful pairing and connection to the remote device. A long low, long high beep sequence indicates unsuccessful pairing. Refer to the [DS6878 Product Reference Guide, p/n 72-131700-xx](#) for more information.

✓ **NOTE** If the battery is off when the scanner is inserted in the cradle, a high-low-high-low beep sequence indicates power up.

Lost Connection to Host

If scanned data does not transmit to the cradle's host, ensure that all cables are firmly inserted and the power supply is connected to an appropriate AC outlet. If scanned data still does not transmit to the host, reestablish a connection with the host:

1. Disconnect the power supply from the cradle.
2. Disconnect the host interface cable from the cradle.
3. Wait three seconds.
4. Reconnect the host interface cable to the cradle.
5. Reconnect the power supply to the cradle, if required.
6. Reestablish pairing with the cradle by inserting the scanner into the cradle.

Charging the Scanner Battery in the Cradle

To charge the scanner battery, place the scanner in the cradle (see [Inserting the Scanner in the Cradle on page 6](#)). The battery begins charging when the scanner LED indicator turns solid green. A complete charge of a fully discharged battery can take up to three hours.

LED Charging Indications

When powered up, the cradle LED is always green. Refer to the [DS6878 Product Reference Guide, p/n 72-131700-xx](#) for scanner LED indications.

Page Button

The page button is a sensor that, when touched causes paired scanners to emit a beeping sequence. The default is **Disable Page Button**.

1. Place your finger over the button and hold the button down for approximately 1 second.
2. The cradle LED will turn blue and any paired scanners will beep five times. If multiple scanners are paired to the cradle, all the scanners will beep five times.
3. Repeat as necessary.

✓ **NOTE** Scanners out of radio range will not beep when paged. Refer to the [DS6878 Product Reference Guide, p/n 72-131700-xx](#) for more information.

Scan one of the following bar codes to enable or disable this feature.



***Disable Page Button**



Enable Page Button

Troubleshooting

If the cradle does not work after following the previous procedures:

- Check the system power.
- Check for loose cable connections.
- Check that the scanner is inserted properly in the cradle.
- Check that the host settings are correct and the cradle is connected to the appropriate port on the host.



CAUTION Do not pour, spray, or spill any liquid on the cradle. Refer to the [DS6878 Product Reference Guide, p/n 72-131700-xx](#) for maintenance guidelines and list of approved cleansers.

Related Documentation

- *DS6878 Product Reference Guide*, p/n 72-131700-xx
- *DS6878 Quick Start Guide*, p/n 72-132659-xx

These documents are available at the following web site:

<http://www.zebra.com/support>.

Regulatory Information

This guide applies to Model Number CR0078. All Zebra devices are designed to be compliant with rules and regulations in locations they are sold and will be labeled as required.

Any changes or modifications to Zebra equipment, not expressly approved by Zebra, could void the user's authority to operate the equipment.

Only use Zebra approved and UL listed accessories, battery packs and battery chargers.

Local language translations are available at the following web site: <http://www.zebra.com/support>.

Bluetooth® Wireless Technology

This is an approved Bluetooth® product. For more information or to view end product listing, visit the following web site: <https://www.bluetooth.org/tsg/listings.cfm>.

Ergonomic Recommendations

Caution: In order to avoid or minimize the potential risk of ergonomic injury follow the recommendations below. Consult with your local Health & Safety Manager to ensure that you are adhering to your company's safety programs to prevent employee injury.

- Reduce or eliminate repetitive motion
- Maintain a natural position
- Reduce or eliminate excessive force
- Keep objects that are used frequently within easy reach
- Perform tasks at correct heights
- Reduce or eliminate vibration
- Reduce or eliminate direct pressure
- Provide adjustable workstations
- Provide adequate clearance
- Provide a suitable working environment
- Improve work procedures.



Warnings for Use of Wireless Devices

Please observe all warning notices with regard to the usage of wireless devices.

Potentially Hazardous Atmospheres - Vehicles Use

You are reminded of the need to observe restrictions on the use of radio devices in fuel depots, chemical plants, etc. and areas where the air contains chemicals or particles (such as grain, dust, or metal powders) and any other area where you would normally be advised to turn off your vehicle engine.

Potentially Hazardous Atmospheres - Fixed Installations

You are reminded of the need to observe restrictions on the use of radio devices in fuel depots, chemical plants, etc. and areas where the air contains chemicals or particles (such as grain, dust, or metal powders).

Safety in Aircraft

Switch off your wireless device whenever you are instructed to do so by airport or airline staff. If your device offers a "flight mode" or similar feature, consult airline staff as to its use in flight.



Safety in Hospitals

Wireless devices transmit radio frequency energy and may affect medical electrical equipment. Wireless devices should be switched off wherever you are requested to do so in hospitals, clinics or healthcare facilities. These request are designed to prevent possible interference with sensitive medical equipment.

Pacemakers

Pacemaker manufacturers recommend that minimum of 15cm (6 inches) be maintained between a handheld wireless device and a pacemaker to avoid potential interference with the pacemaker. These recommendations are consistent with independent research and recommendations by Wireless Technology Research.

Persons with Pacemakers:

- Should ALWAYS keep the device more than 15cm (6 inches) from their pacemaker when turned ON.
- Should not carry the device in a breast pocket.
- Should use the ear furthest from the pacemaker to minimize the potential for interference.
- If you have any reason to suspect that interference is taking place, turn OFF your device.

Other Medical Devices

Please consult your physician or the manufacturer of the medical device, to determine if the operation of your wireless product may interfere with the medical device.



FCC RF Exposure Guidelines

Safety Information

Reducing RF Exposure - Use Properly

Only operate the device in accordance with the instructions supplied.

International

The device complies with Internationally recognized standards covering human exposure to electromagnetic fields from radio devices. For information on "International" human exposure to electromagnetic fields refer to the Zebra Declaration of Conformity (DoC) at the following web site: <http://www.zebra.com/doc>.

Handheld Devices

To comply with FCC RF and EU RF exposure requirements, this device must be operated in the hand with a minimum separation distance of 20cm or more from a person's body. Other operating configurations should be avoided.

Power Supply

Use ONLY a LISTED, Type no. 50-14000 (12 Vdc/650 mA minimum), or PWRS-14000 (12 Vdc/650 mA minimum), Direct Plug-In Power Supply, marked Class 2 or LPS (IEC60950-1, SELV). Use of an alternative power supply will invalidate any approval given to this device and may be dangerous.

Batteries

Taiwan - Recycling



「廢電池請回收」

EPA (Environmental Protection Administration) requires dry battery producing or importing firms in accordance with Article 15 of the Waste Disposal Act are required to indicate the recycling marks on the batteries used in sales, giveaway or promotion. Contact a qualified Taiwanese recycler for proper battery disposal.

To charge the mobile device battery, the battery and charger temperatures must be between +32 °F and +104 °F (0 °C and +40 °C).

Radio Frequency Interference Requirements-FCC



Note: This equipment has been tested and found to comply with the limits for a Class B digital device, pursuant to Part 15 of the FCC rules. These limits are designed to provide reasonable protection against harmful interference in a residential installation. This equipment generates, uses and can radiate radio frequency energy and, if not installed and used in accordance with the

instructions, may cause harmful interference to radio communications. However there is no guarantee that interference will not occur in a particular installation. If this equipment does cause harmful interference to radio or television reception, which can be determined by turning the equipment off and on, the user is encouraged to try to correct the interference by one or more of the following measures:

- Reorient or relocate the receiving antenna
- Increase the separation between the equipment and receiver
- Connect the equipment into an outlet on a circuit different from that to which the receiver is connected
- Consult the dealer or an experienced radio/TV technician for help.

Radio Transmitters (Part 15)

This device complies with Part 15 of the FCC Rules. Operation is subject to the following two conditions: (1) this device may not cause harmful interference, and (2) this device must accept any interference received, including interference that may cause undesired operation.

Radio Frequency Interference Requirements-Canada

This Class B digital apparatus complies with Canadian ICES-003.
Cet appareil numérique de la classe B est conforme à la norme NMB-003 du Canada.

Radio Transmitters

This device complies with RSS 210 of Industry & Science Canada. Operation is subject to the following two conditions: (1) this device may not cause harmful interference and (2) this device must accept any interference received, including interference that may cause undesired operation.

Label Marking: The Term "IC:" before the radio certification only signifies that Industry Canada technical specifications were met.

Marking and European Economic Area (EEA)

Statement of Compliance

Zebra hereby declares that this radio equipment is in compliance with Directive 2011/65/EU and 1999/5/EC or 2014/53/EU (2014/53/EU supersedes 1999/5/EC from 13th June 2017). The full text of the EU Declaration of Conformity is available at the following Internet address:
<http://www.zebra.com/doc>

Country Approval

Regulatory markings, subject to certification, are applied to the device signifying the radio(s) are approved for use in the following countries: United States, Canada, Australia, China, S. Korea, Japan & Europe.

Please refer to the Zebra Declaration of Conformity (DoC) for details of other country markings. This is available at the following web site: <http://www.zebra.com/doc>.

- ✓ **NOTE** Europe includes: Austria, Belgium, Bulgaria, Czech Republic, Cyprus, Denmark, Estonia, Finland, France, Germany, Greece, Hungary, Iceland, Ireland, Italy, Latvia, Liechtenstein, Lithuania, Luxembourg, Malta, Netherlands, Norway, Poland, Portugal, Romania, Slovak Republic, Slovenia, Spain, Sweden, Switzerland and the United Kingdom.



Operation of the device without regulatory approval is illegal.

Japan (VCCI) - Voluntary Control Council for Interference

Class B ITE

この装置は、情報処理装置等電波障害自主規制協議会（VCCI）の基準に基づくクラスB 報技術装置です。この装置は、家庭環境で使用することを目的としていますが、この装置がラジオやテレビジョン受信機に近接して使用されると、受信障害を引き起こすことがあります。取扱説明書に従って正しい取り扱いをして下さい。

This is a Class B product based on the standard of the Voluntary Control Council for Interference from Information Technology Equipment (VCCI). If this is used near a radio or television receiver in a domestic environment, it may cause radio interference. Install and use the equipment according to the instruction manual.

Korean Warning Statement for Class B ITE

기종별	사용자안내문
B급 기기 (가정용 방송통신기기)	이 기기는 가정용 (B급) 으로 전자파적합등록을 한 기기로서 주로 가정에서 사용하는 것을 목적으로 하며, 모든 지역에서 사용할 수 있습니다.

Other Countries

Brasil: Declarações Regulamentares para CR0078-P.

Nota: A marca de certificação se aplica ao Transceptor, modelo CR0078. Este equipamento opera em caráter secundário, isto é, não tem direito a proteção contra interferência prejudicial, mesmo de estações do mesmo tipo, e não pode causar interferência a sistemas operando em caráter primário. Para maiores informações sobre ANATEL consulte o site: www.anatel.gov.br

CHILE: Este equipo cumple con la Resolución No 403 de 2008, de la Subsecretaría de telecomunicaciones, relativa a radiaciones electromagnéticas.

Mexico: Restrict Frequency Range to: 2.450 - 2.4835 GHz.

Ukraine

Дане обладнання відповідає вимогам технічного регламенту №1057, № 2008 щодо використання деяких небезпечних речовин в електричних та електронних пристроях.

Korean

당해 무선설비는 운용 중 전파혼신 가능성이 있음

당해 무선설비는 전파혼신 가능성이 있으므로 인명안전과 관련된 서비스는 할 수 없습니다.

Taiwan

低功率電波輻射性電機管理辦法

第十二條

經型式認證合格之低功率射頻電機，非經許可，公司、商號或使用者均不得擅自變更頻率、加大功率或變更原設計之特性及功能。

第十四條

低功率射頻電機之使用不得影響飛航安全及干擾合法通信；經發現有干擾現象時，應立即停用，並改善至無干擾時方得繼續使用。

前項合法通信，指依電信規定作業之無線電通信。

低功率射頻電機須忍受合法通信或工業、科學及醫療用電波輻射性電機設備之干擾。



азийский Таможенный Союз

Данный продукт соответствует требованиям знака EAC.

Waste Electrical and Electronic Equipment (WEEE)

Bulgarian: За клиенти от ЕС: След края на ползения им живот всички продукти трябва да се връщат на Zebra за рециклиране. За информацията относно връщането на продукти, моля отидете на адрес: <http://www.zebra.com/weee>.

Čeština: Pro zákazníky z EU: Všechny produkty je nutné po skončení jejich životnosti vrátit společností Zebra k recyklaci. Informace o způsobu vrácení produktu najdete na webových stránkách: <http://www.zebra.com/weee>.

Dansk: Til kunder i EU: Alle produkter skal returneres til Zebra til recirkulering, når de er udtjent. Læs oplysningerne om returnering af produkter på: <http://www.zebra.com/weee>.

Deutsch: Für Kunden innerhalb der EU: Alle Produkte müssen am Ende ihrer Lebensdauer zum Recycling an Zebra zurückgesandt werden. Informationen zur Rücksendung von Produkten finden Sie unter <http://www.zebra.com/weee>.

Ελληνικά: Για πελάτες στην Ε.Ε.: Όλα τα προϊόντα, στο τέλος της διάρκειας ζωής τους, πρέπει να επιστρέφονται στην Zebra για ανακύκλωση. Για περισσότερες πληροφορίες σχετικά με την επιστροφή ενός προϊόντος, επισκεφθείτε τη διεύθυνση <http://www.zebra.com/weee> στο Διαδίκτυο.

Eesti: EL klientidele: kõik tooted tuleb nende eluea lõppedes tagastada taaskasutamise eesmärgil Zebra'ile. Lisainformatsiooni saamiseks toote tagastamise kohta külastage palun aadressi: <http://www.zebra.com/weee>.

English: For EU Customers: All products at the end of their life must be returned to Zebra for recycling. For information on how to return product, please go to:

<http://www.zebra.com/weee>.

Español: Para clientes en la Unión Europea: todos los productos deberán entregarse a Zebra al final de su ciclo de vida para que sean reciclados. Si desea más información sobre cómo devolver un producto, visite: <http://www.zebra.com/weee>.

Français: Clients de l'Union Européenne : Tous les produits en fin de cycle de vie doivent être retournés à Zebra pour recyclage. Pour de plus amples informations sur le retour de produits, consultez :

<http://www.zebra.com/weee>.

Hrvatski: Za kupce u Europskoj uniji: Svi se proizvodi po isteku vijeka trajanja moraju vratiti tvrtki Zebra na recikliranje. Informacije o načinu vraćanja proizvoda potražite na web-stranici: www.zebra.com/weee.

Italiano: per i clienti dell'UE: tutti i prodotti che sono giunti al termine del rispettivo ciclo di vita devono essere restituiti a Zebra al fine di consentire il riciclaggio. Per informazioni sulle modalità di restituzione, visitare il seguente sito Web:

<http://www.zebra.com/weee>.

Latviešu: ES klientiem: visi produkti pēc to kalpošanas mūža beigām ir jānogādā atpakaļ Zebra otrreizējai pārstrādei. Lai iegūtu informāciju par produktu nogādāšanu Zebra, lūdz, skatiet:

<http://www.zebra.com/weee>.

Lietuvių: ES vartotojams: visi gaminiai, pasibaigus jų eksploatacijos laikui, turi būti gražinti utilizuoti į kompaniją „Zebra“. Daugiau informacijos, kaip gražinti gaminį, rasite: <http://www.zebra.com/weee>.

Magyar: Az EU-ban vásárlóknak: Minden tönkrement termékét a Zebra vállalathoz kell eljuttatni újrahasznosítás céljából. A termék visszajuttatásának módjával kapcsolatos tudnivalóként látogasson el a <http://www.zebra.com/weee> weboldalra.

Malti: Għal klijenti fl-EU: il-prodotti kollha li jkun u waslu fl-aħħar tal-ħajja ta' l-użu tagħhom, iridu jiġu ritornati għand Zebra għar-riciklaġġ. Għal aktar tagħrif dwar kif għandek tirritorna l-prodott, jekk jogħġbok żur: <http://www.zebra.com/weee>.

Nederlands: Voor klanten in de EU: alle producten dienen aan het einde van hun levensduur naar Zebra te worden teruggezonden voor recycling. Raadpleeg <http://www.zebra.com/weee> voor meer informatie over het terugzenden van producten.

Polski: Klienci z obszaru Unii Europejskiej: Produkty wycofane z eksploatacji należą zwrócić do firmy Zebra w celu ich utylizacji. Informacje na temat zwrotu produktów znajdują się na stronie internetowej <http://www.zebra.com/weee>.

Português: Para clientes da UE: todos os produtos no fim de vida devem ser devolvidos à Zebra para reciclagem. Para obter informações sobre como devolver o produto, visite: <http://www.zebra.com/weee>.

Românesc: Pentru clienții din UE: Toate produsele, la sfârșitul duratei lor de funcționare, trebuie returnate la Zebra pentru reciclare. Pentru informații despre returnarea produsului, accesați:

<http://www.zebra.com/weee>.

Slovenski: Za kupce v EU: vsi izdelki se morajo po poteku življenjske dobe vrniti podjetju Zebra za reciklažo. Za informacije o vračilu izdelka obiščite: <http://www.zebra.com/weee>.

Slovenčina: Pre zákazníkov z krajín EU: Všetky výrobky musia byť po uplynutí doby ich životnosti vrátené spoločnosti Zebra na recykláciu. Bližšie informácie o vrátení výrobkov nájdete na:

<http://www.zebra.com/weee>.

Suomi: Asiakkaat Euroopan unionin alueella: Kaikki tuotteet on palautettava kierrätettäväksi Zebra-yhtiöön, kun tuotetta ei enää käytetä. Lisätietoja tuotteiden palauttamisesta on osoitteessa <http://www.zebra.com/weee>.

Svenska: För kunder inom EU: Alla produkter som uppnått sin livslängd måste returneras till Zebra för återvinning. Information om hur du returnerar produkten finns på

<http://www.zebra.com/weee>.

Türkçe: AB Müşterileri için: Kullanım süresi dolan tüm ürünler geri dönüşürme için Zebra'ya iade edilmelidir. Ürünlerin nasıl iade edileceği hakkında bilgi için lütfen şu adresi ziyaret edin:

<http://www.zebra.com/weee>.

Service Information

If you have a problem with your equipment, contact Zebra support for your region. For contact information, go to: <http://www.zebra.com/support>.

When contacting Zebra support, please have the following information available:

- Serial number of the unit
- Model number or product name
- Software type and version number

Zebra responds to calls by e-mail, telephone or fax within the time limits set forth in service agreements. If your problem cannot be solved by Zebra Support, you may need to return your equipment for servicing and will be given specific directions. Zebra is not responsible for any damages incurred during shipment if the approved shipping container is not used. Shipping the units improperly can possibly void the warranty.

If you purchased your Zebra business product from a Zebra business partner, please contact that business partner for support.

For the latest version of this guide, go to: <http://www.zebra.com/support>.



Zebra Technologies Corporation
Lincolnshire, IL U.S.A.
<http://www.zebra.com>

© 2017 ZIH Corp and/or its affiliates. All rights reserved. ZEBRA and the stylized Zebra head are trademarks of ZIH Corp, registered in many jurisdictions worldwide. All other trademarks are the property of their respective owners.



72-138860-05 Revision A - April 2017

