

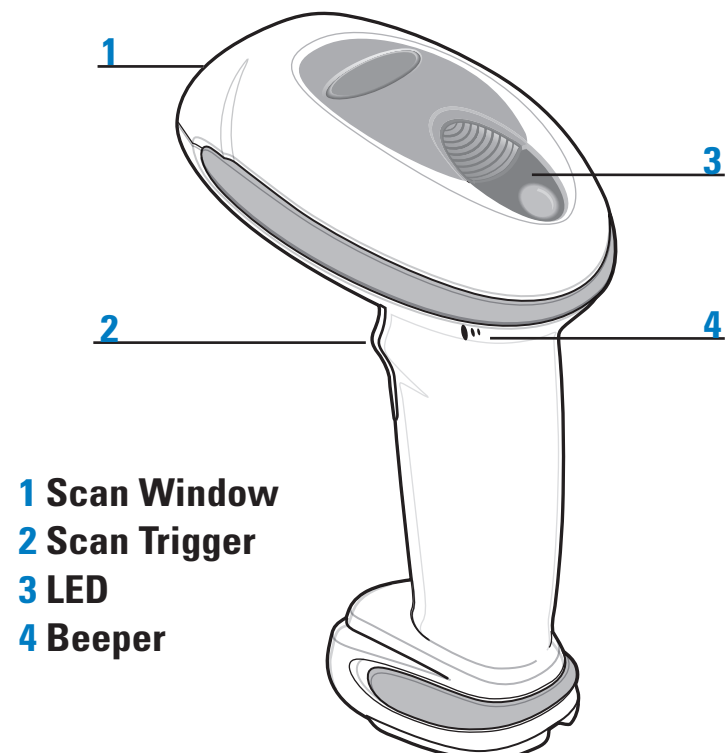
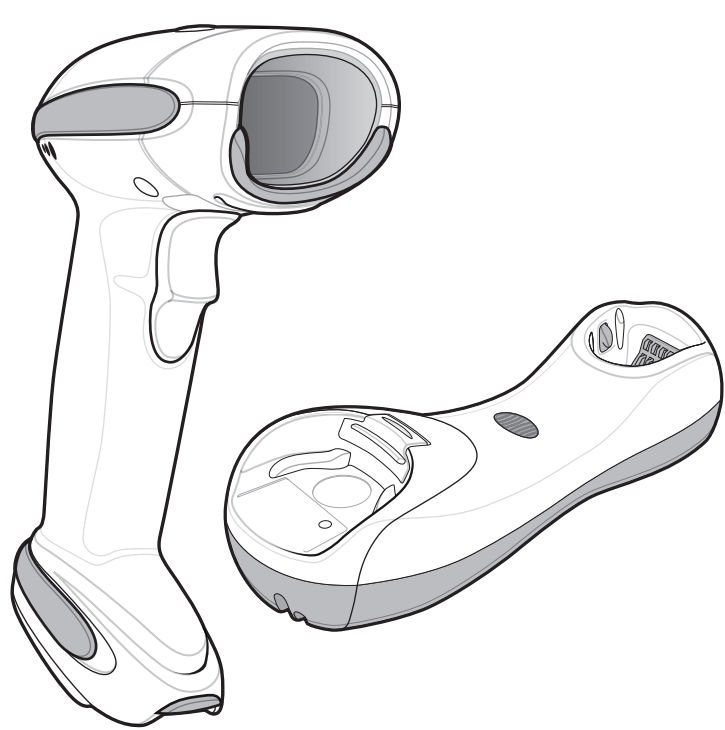
# DS6878

## Quick Start Guide

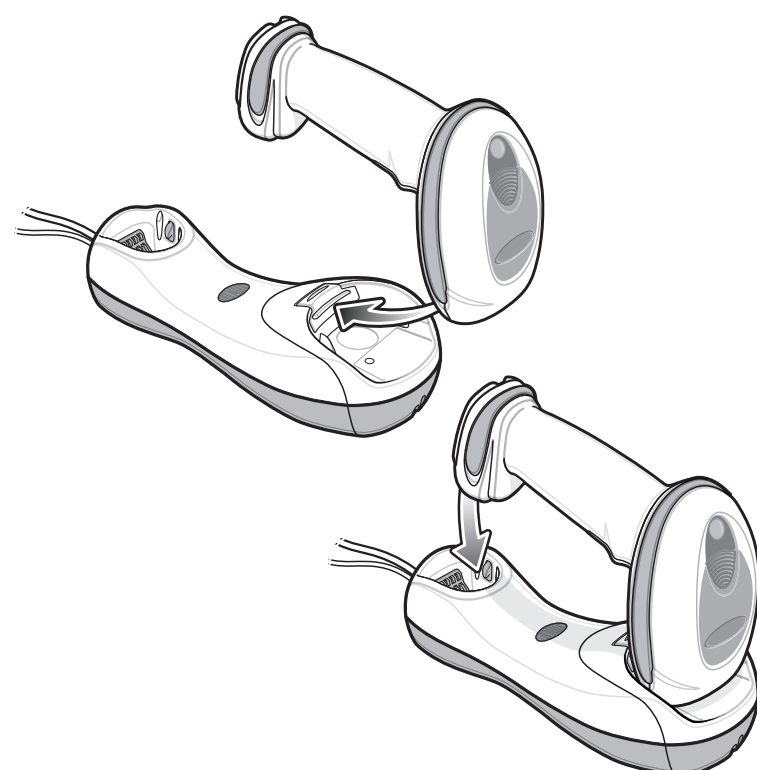
<http://www.zebra.com/ds6878>

See Product Reference Guide for detailed information

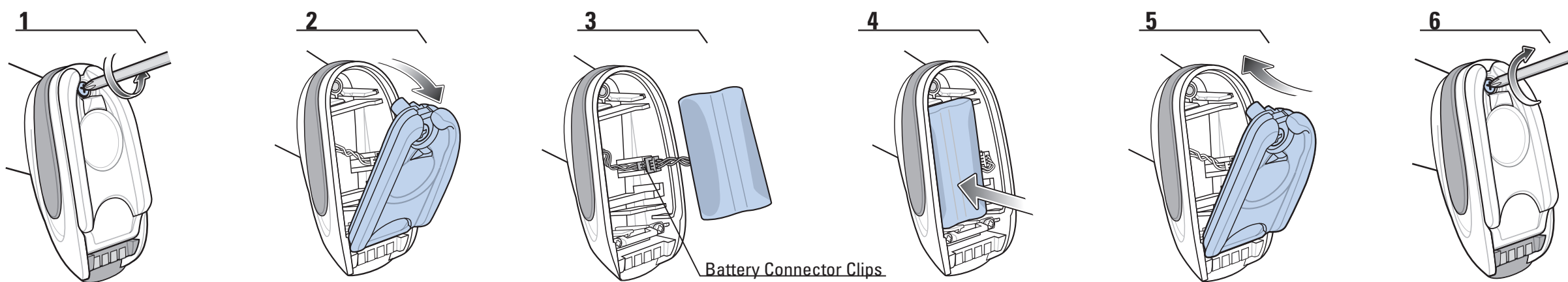
POST IN WORK AREA



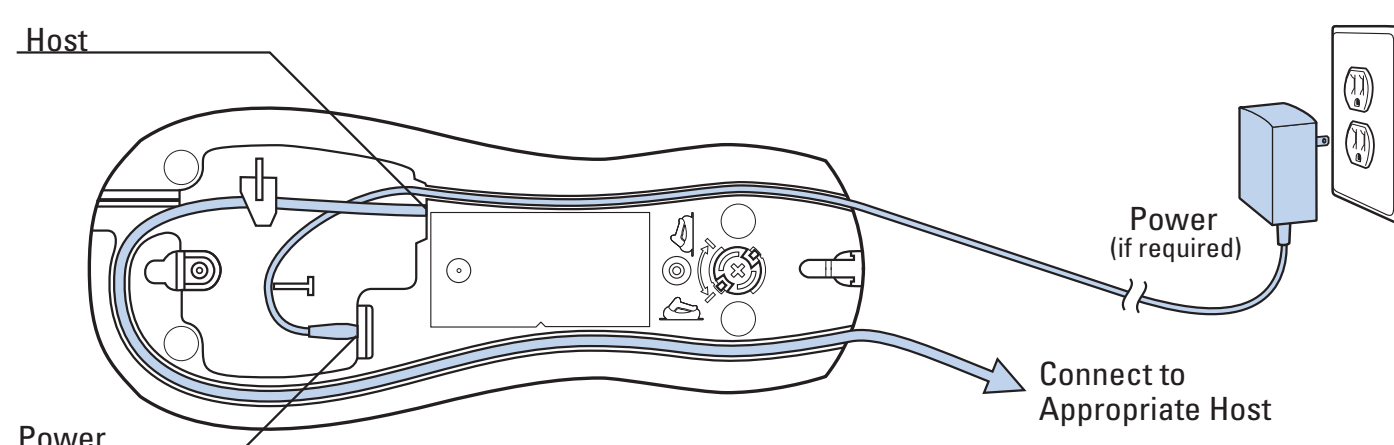
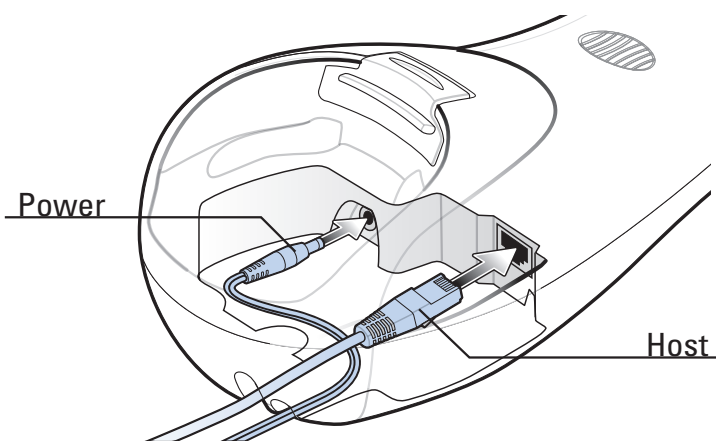
### Cradle Insertion



## STEP 1 - BATTERY INSERTION



## STEP 2 - CRADLE CABLE CONNECTION

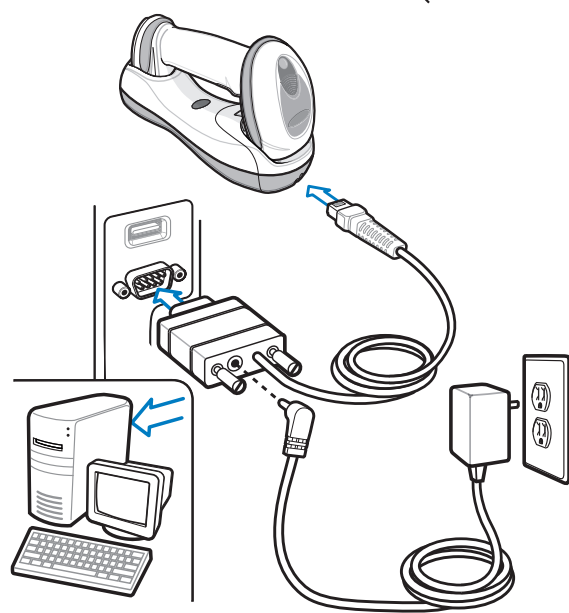


For healthcare environments, use digital scanner p/n DS6878-HC2XXXBWR and cradle p/n CR0078-SC1009BWR with ferrite on power supply (see Ferrite Installation instructions included in the box).

## STEP 3 - CONNECT HOST INTERFACE

NOTE: Cables may vary depending on configuration

### RS-232



## STEP 4 - SET UP INTERFACE (Scan Host Bar Codes)

### RS-232

Scan **ONE** of the bar codes below



STANDARD RS-232



NIXDORF RS-232 MODE A



FUJITSU RS-232



ICL RS-232

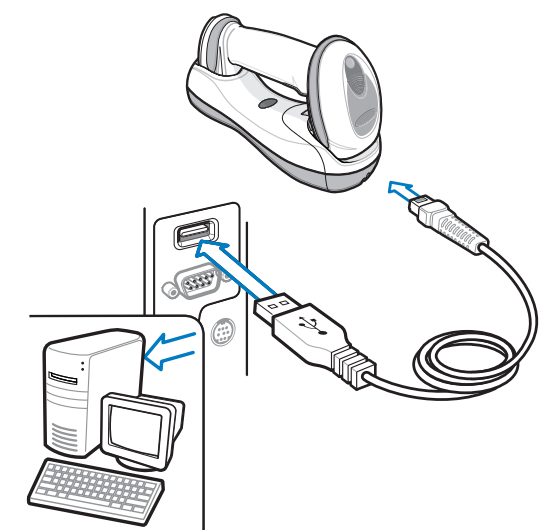


NIXDORF RS-232 MODE B



OPOS/JPOS

### USB



### USB

Scan **ONE** of the bar codes below



HID KEYBOARD EMULATION



IBM HAND-HELD USB

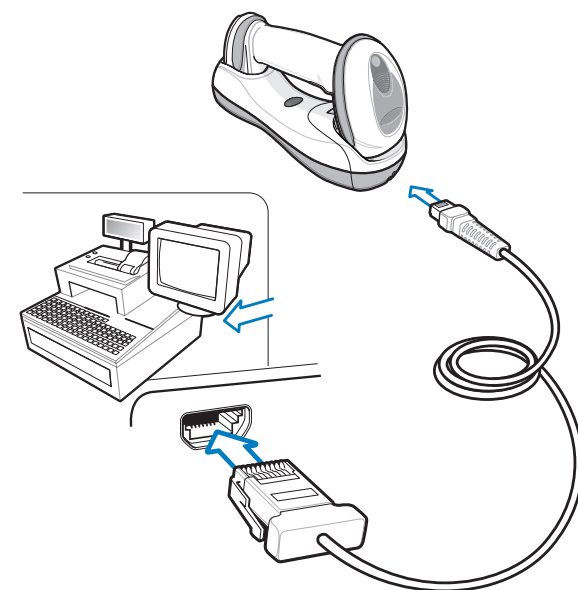


SNAP! WITH IMAGING  
(For use with hands-free base only)



SNAP! WITHOUT IMAGING  
(For use with hands-free base only)

### IBM 46XX



### IBM 46XX

Scan **ONE** of the bar codes below



PORT 5B

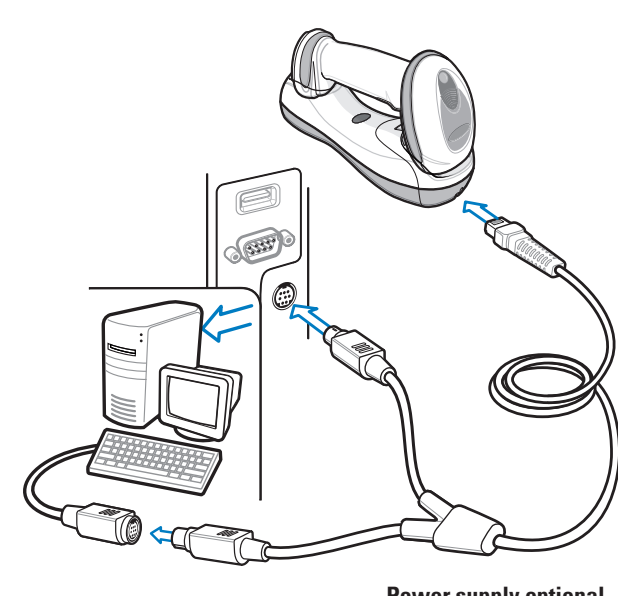


PORT 17



PORT 9B

### Keyboard Wedge



Power supply optional

### Keyboard Wedge

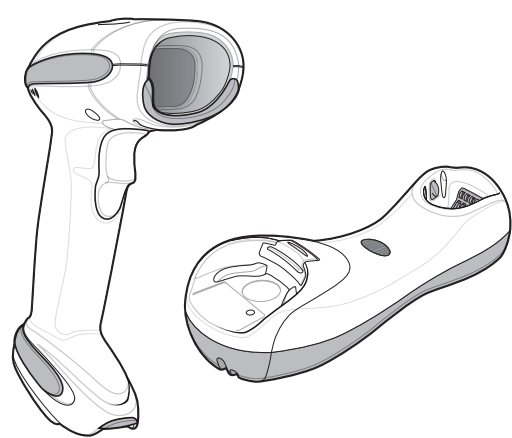
Scan bar code below



IBM PC/AT and IBM PC COMPATIBLE

### 123SCAN<sup>2</sup>

123Scan<sup>2</sup> is an easy-to-use, PC-based software tool that enables rapid and easy customized setup via a bar code or USB cable. For more information, visit: <http://www.zebra.com/123Scan2>



## Aiming



## BEEPER INDICATIONS

### Standard Use

<b>Low/medium/high beep</b> Power up	<b>Short medium beep</b> Bar code decoded	<b>4 long low beeps</b> Transmission error detected; data is ignored	<b>4 short beeps</b> Low battery
---	--	---	-------------------------------------

### Parameter Menu Scanning

<b>High/low/high/low beep</b> Successful parameter setting	<b>High/low beep</b> Correct programming sequence performed	<b>Low/high beep</b> Incorrect programming sequence or "Cancel" bar code scanned
---	--	---

### Wireless Operation

<b>High/low/high/low beep</b> Pairing bar code scanned	<b>High/low beep</b> Bluetooth disconnection	<b>Low/high beep</b> Bluetooth connection established
---	---	--

### Hand-Held Scanning

<b>Off</b> Scanner is on and ready to scan, or no power to scanner	<b>Green</b> Bar code is successfully decoded	<b>Red</b> Transmission error
---	--	----------------------------------

### Hands-Free (Presentation) Scanning

<b>Off</b> No power to scanner	<b>Green</b> Scanner is ready to scan	<b>Off Momentarily</b> Bar code is successfully decoded	<b>Red</b> Transmission error
-----------------------------------	--	--	----------------------------------

### Charging

<b>Off</b> No power to scanner	<b>Green - Slow Continuous</b> Non-critical battery temperature fault	<b>Green - Fast Continuous</b> Scanner is charging	<b>Green - Solid</b> Scanner is fully charged
-----------------------------------	--	---	--

Local Contact: \_\_\_\_\_

## TROUBLESHOOTING

### Scanner not working

<b>No power to scanner</b> Check system power; battery may be discharged; charge scanner in cradle; check battery door is closed; ensure battery end cap is secured	<b>Scanner is disabled</b> Ensure that correct host interface cable is used
--	--

### Scanner not decoding bar code

<b>Scanner not programmed for bar code type</b> Ensure scanner is programmed to read type of bar code being scanned	<b>Bar code unreadable</b> Ensure bar code is not defaced; try scanning test bar code of same bar code type	<b>Distance between scanner and bar code incorrect</b> Move scanner closer to or further from bar code
--	--	---

### Scanner decoding bar code, but data not transmitting to host

<b>Scanner not programmed for correct host interface</b> Scan appropriate host parameter bar codes	<b>Scanner not paired to host-connected interface</b> Pair the scanner to the cradle	<b>Interface cable is loose</b> Ensure all cable connections are secure	<b>Cradle lost connection to host</b> In this order: disconnect power supply; disconnect host cable; wait three seconds; reconnect host cable; reconnect power supply; reestablish pairing
---	---	--	---

### Scanned data incorrectly displayed on host

<b>Scanner not programmed for correct host interface</b> Scan appropriate host parameter bar codes
---

### LED indicates low battery start-up

<b>Low battery start-up</b> Wait for red LED to turn green indicating scanner is charging	<b>Cradle communication error</b> Inspect contacts; remove and reinsert scanner in cradle
--	--

### LED indicates battery temperature

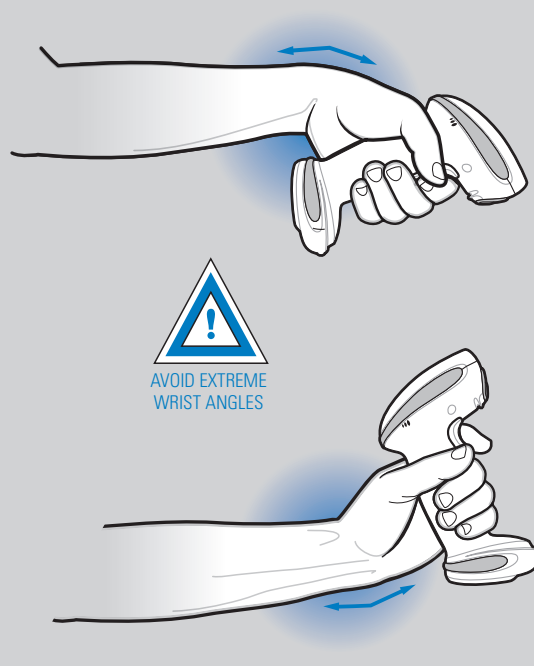
<b>Battery is above or below normal operating temperature</b> Do not use scanner; move scanner to location with normal operating temperature; refer to the <i>Product Reference Guide</i> for more information
---

## ERGONOMIC RECOMMENDATIONS

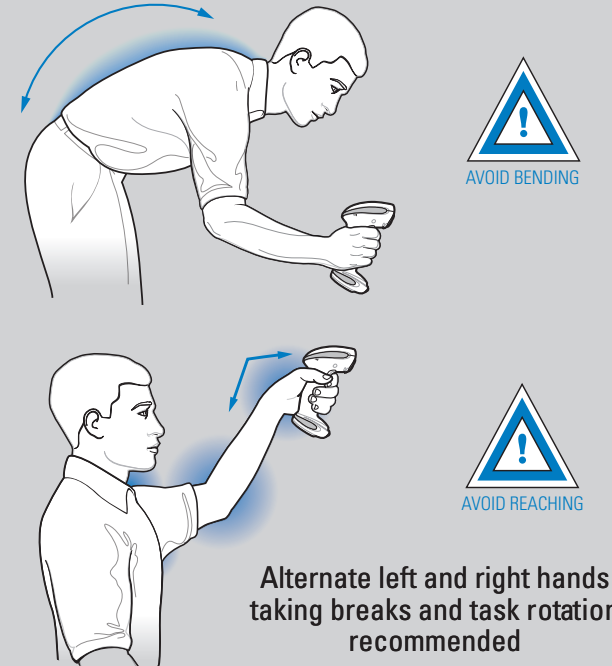
### Optimum Arm Position



### Avoid Extreme Wrist Angles



### Avoid Bending And Reaching



## RADIO COMMUNICATIONS HOST TYPES

Scan a bar code below to choose how the scanner connects to a remote device. Scan **CRADLE HOST** if connecting to the CR0078 cradle. Refer to the *Product Reference Guide* for more information.

### Radio Communications Host Types



CRADLE HOST



SERIAL PORT PROFILE (SLAVE)



HID PROFILE (SLAVE)



SERIAL PORT PROFILE (MASTER)

### Unpairing/Disconnection



UNPAIR/DISCONNECT

## ADD AN ENTER KEY (Carriage Return/Line Feed)

To add an Enter key after scanned data, scan all **THREE** bar codes in numerical order.

1



SCAN OPTIONS

2



<DATA~SUFFIX 1>

3



ENTER

## ADD A TAB KEY

To add a Tab key after scanned data, scan all **THREE** Enter key bar codes above in numerical order then scan all **FIVE** bar codes below in numerical order.

1



SCAN SUFFIX

2



7

3



0

4



0

5



9

## SET DEFAULTS

### Return to Factory Defaults



SET DEFAULTS

## BATTERY OFF

### Battery Off for Long Term Storage/Shipping



BATTERY OFF



Zebra Technologies Corporation  
Lincolnshire, IL U.S.A.  
<http://www.zebra.com>

Zebra and the Zebra head graphic are registered trademarks of ZIH Corp. The Symbol logo is a registered trademark of Symbol Technologies, Inc., a Zebra Technologies company.  
© 2015 Symbol Technologies, Inc.



72-132659-03 Revision A March 2015



### Warranty

For the complete Zebra hardware product warranty statement, go to: <http://www.zebra.com/warranty>.

### For Australia Only

This warranty is given by Zebra Technologies Asia Pacific Pte. Ltd., 71 Robinson Road, #05-02/03, Singapore 068895, Singapore. Our goods come with guarantees that cannot be excluded under the Australian Consumer Law. You are entitled to a replacement or refund for a major failure and compensation for any other reasonably foreseeable loss or damage. You are also entitled to have the goods repaired or replaced if the goods fail to be of acceptable quality and the failure does not amount to a major failure.

Zebra Technologies Corporation Australia's limited warranty above is in addition to any rights and remedies you may have under the Australian Consumer Law. If you have any queries, please call Zebra Technologies Corporation at +65 6858 0722. You may also visit our website: <http://www.zebra.com> for the most updated warranty terms.

### Service Information

If you have a problem using the equipment, contact your facility's Technical or Systems Support. If there is a problem with the equipment, they will contact the Zebra Global Support Center at: <http://www.zebra.com/support>.  
For the latest version of this guide go to: <http://www.zebra.com/support>.

### © 2015 Symbol Technologies, Inc.

Zebra reserves the right to make changes to any product to improve reliability, function, or design. Zebra does not assume any product liability arising out of, or in connection with, the application or use of any product, circuit, or application described herein. No license is granted, either expressly or by implication, estoppel, or otherwise under any patent right or patent, covering or relating to any combination, system, apparatus, machine, material, method, or process in which Zebra products might be used. An implied license exists only for equipment, circuits, and subsystems contained in Zebra products. This Zebra Product may include Zebra Software, Commercial Third Party Software, and Publicly Available software. Refer to *Product Reference Guide* for complete copyright, conditions and disclaimer information.