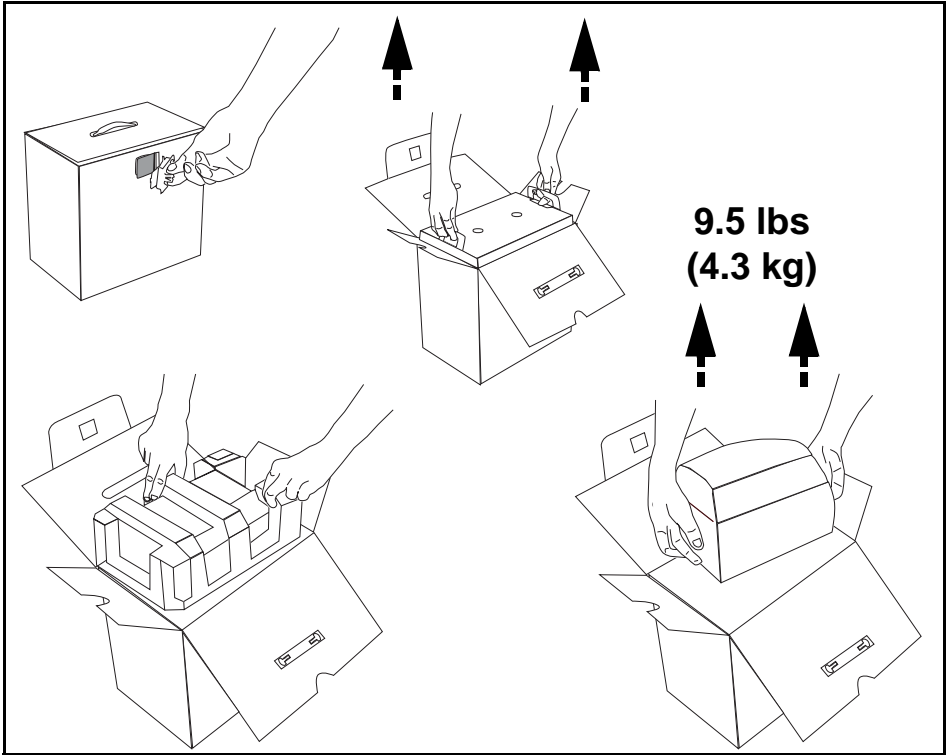
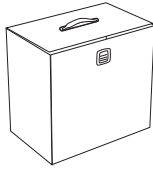


Zebra[®]
P100i



**Card
Printer
Solutions**

1



FCC - DECLARATION OF CONFORMITY

Model P100i has been tested and found to comply with the limits for a Class A device, pursuant to Part 15 of the FCC Rules. These limits are designed to provide reasonable protection against harmful interference when the equipment is operated in a commercial environment. This equipment generates, uses, and can radiate radio frequency energy and, if not installed and operated in accordance with the P100i User's Manual, may cause harmful interference to radio communications. Operation of this equipment in a residential area is likely to cause harmful interference, in which case the user will be required to correct the interference at his own expense.

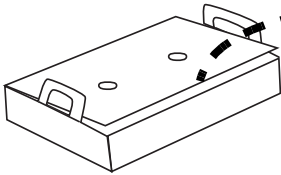
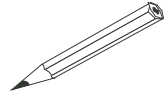
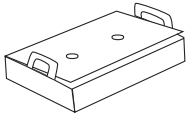
Pursuant to Part 15.21 of the FCC Rules, any changes or modifications to this equipment not expressly approved by Zebra may cause harmful interference and void the FCC authorization to operate this equipment.

INDUSTRY CANADA NOTICE:

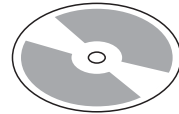
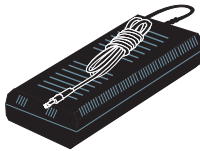
This device complies with Industry Canada ICES-003 class A requirements.

Cet équipement est conforme à l'ICES-003 classe A de la Norm Industrielle Canadienne.

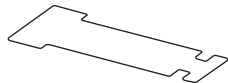
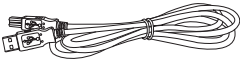
2



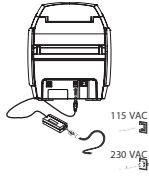
x 5:



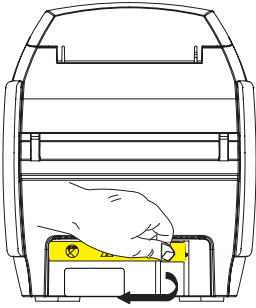
USB



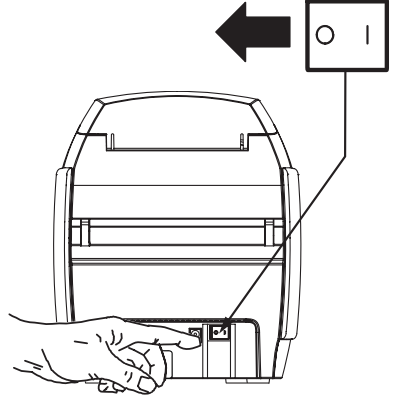
3



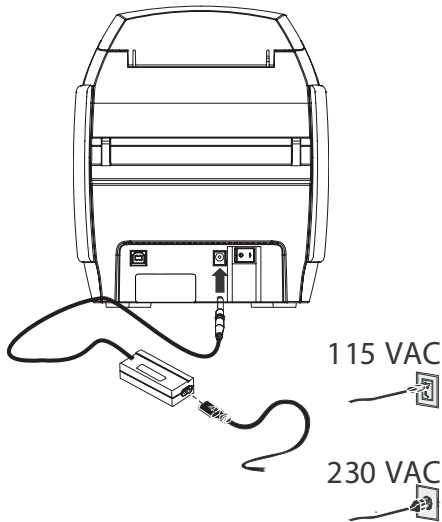
1



2



3



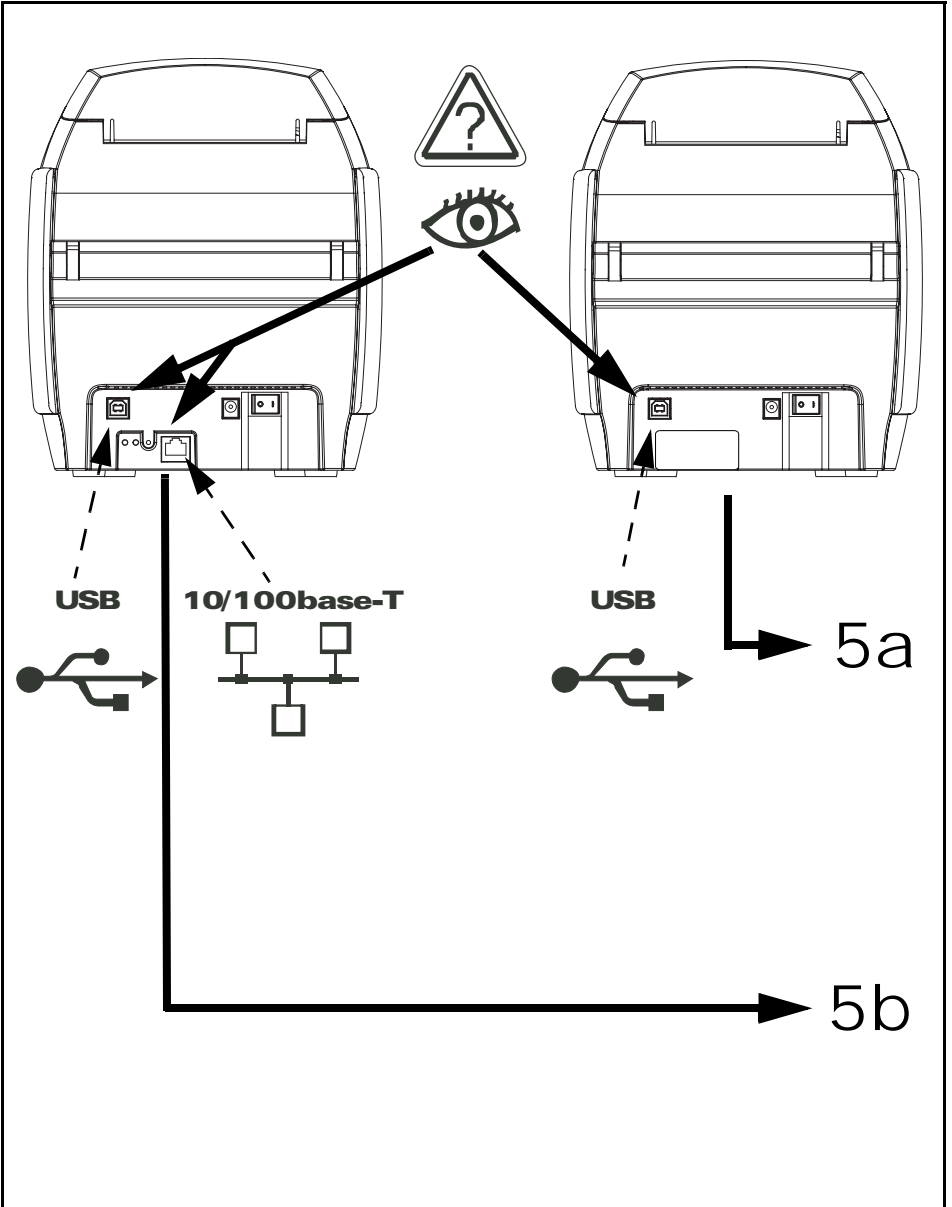
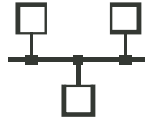
4



USB



10/100base-T

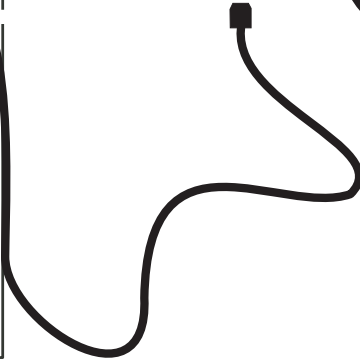
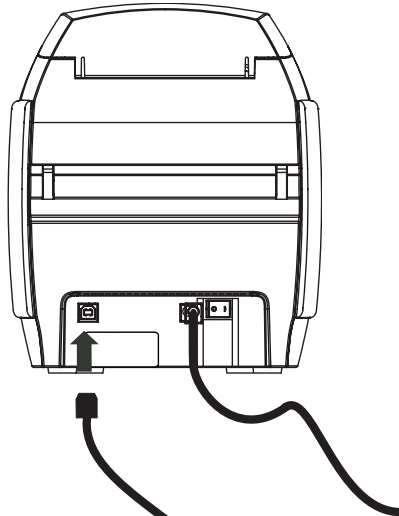
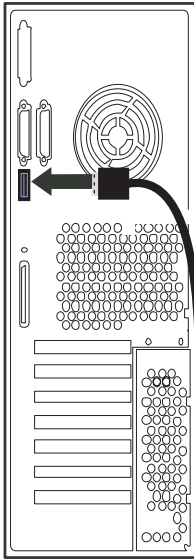


5a

USB



USB

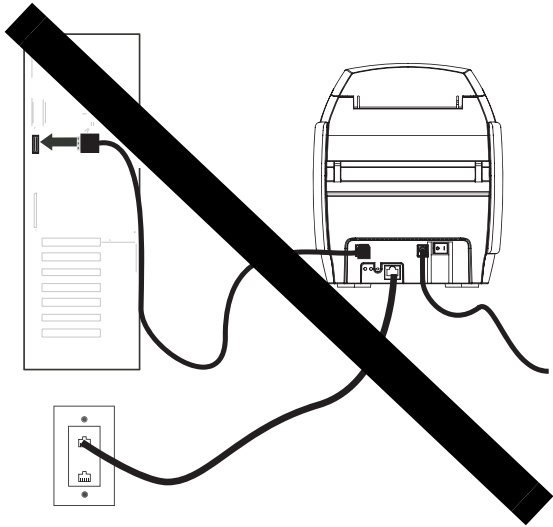
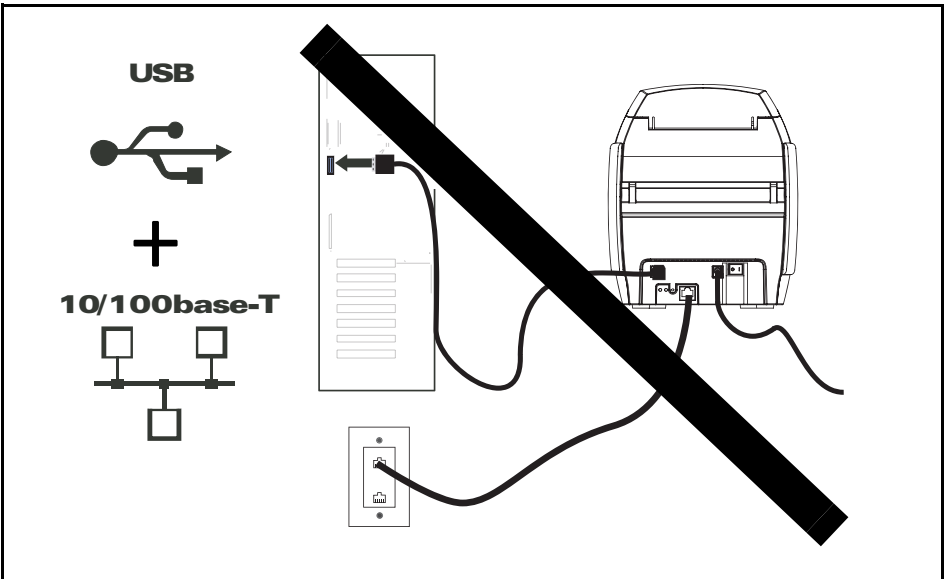
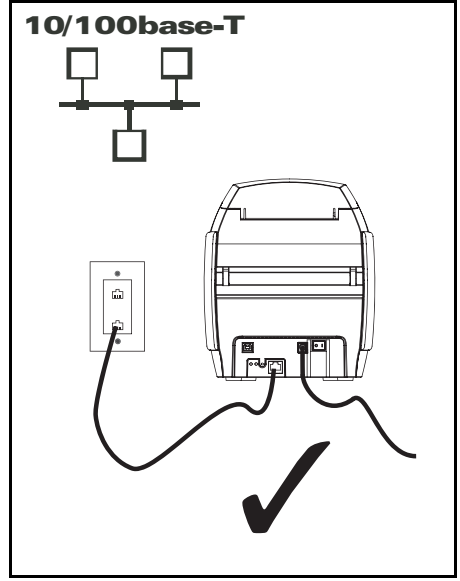
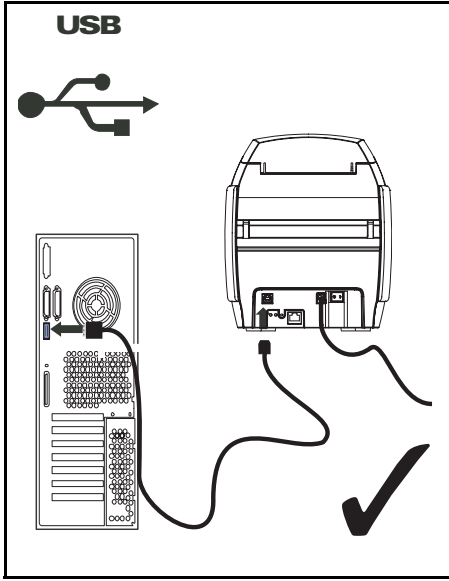
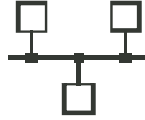


5b

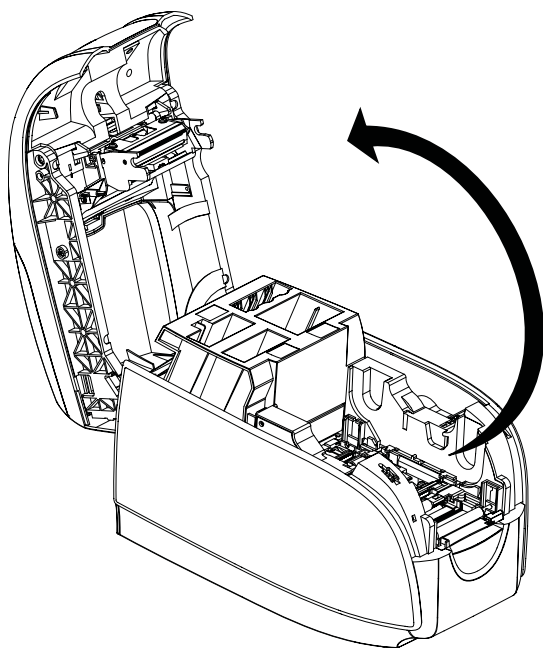
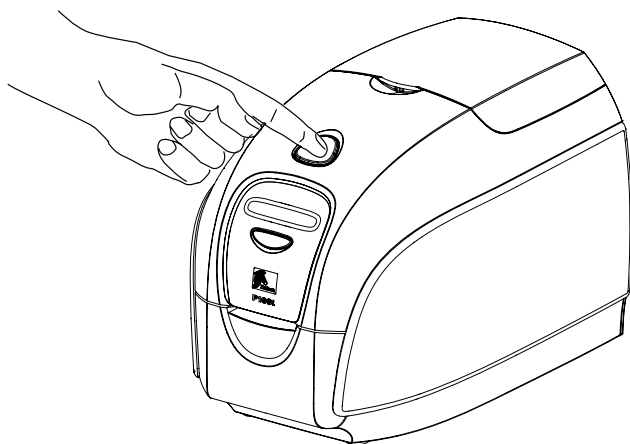
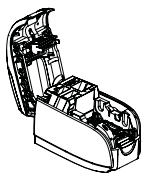
USB



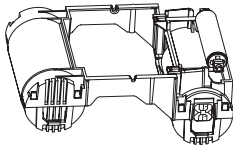
10/100base-T



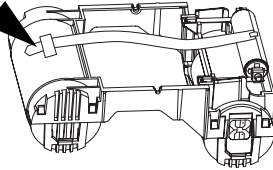
6



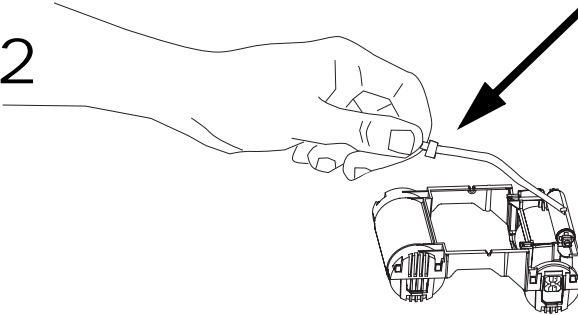
7a



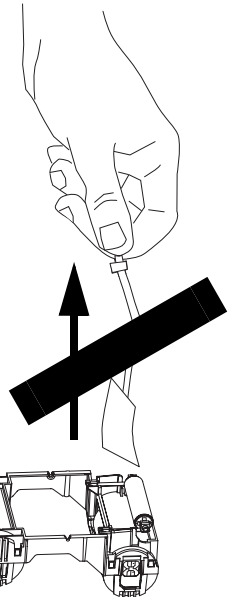
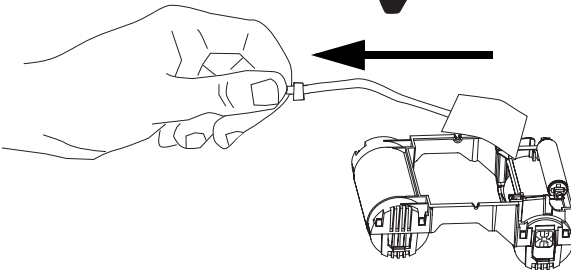
1



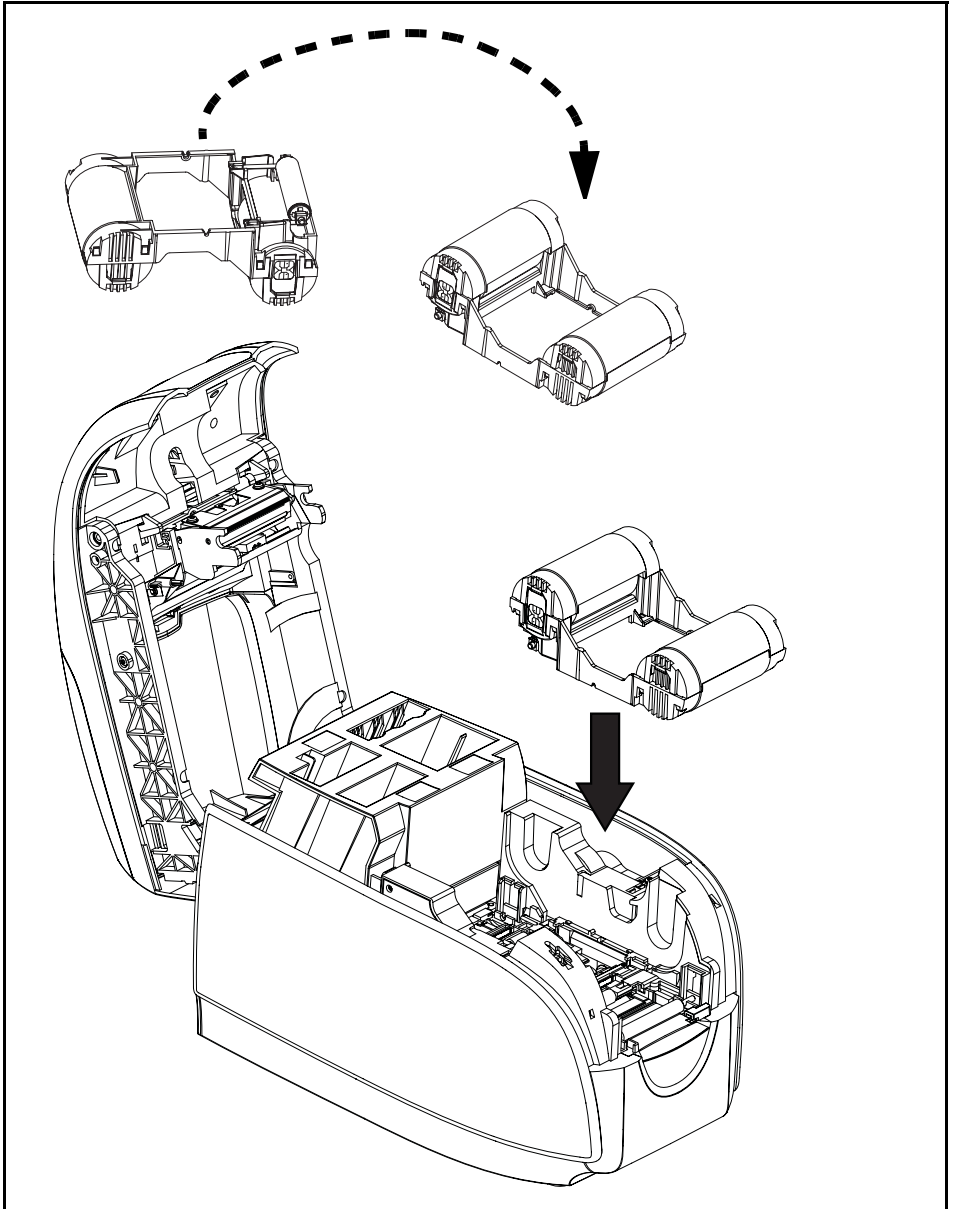
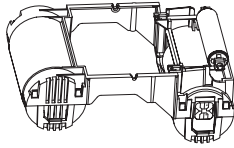
2



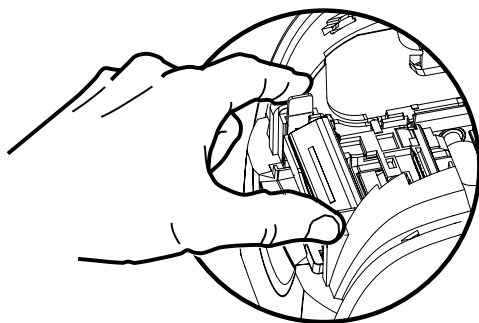
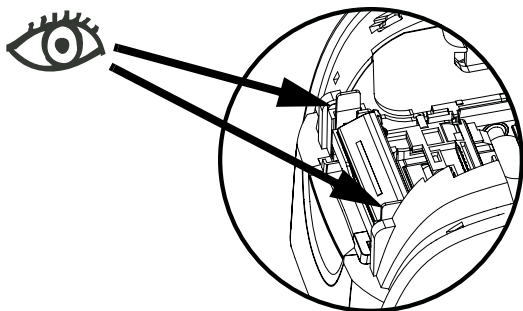
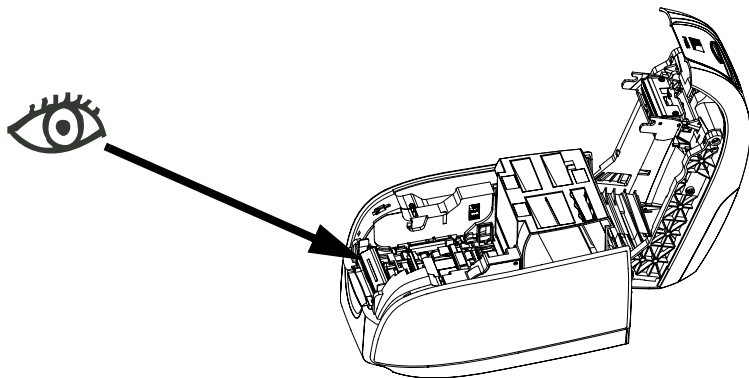
3



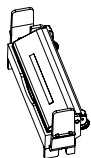
7b



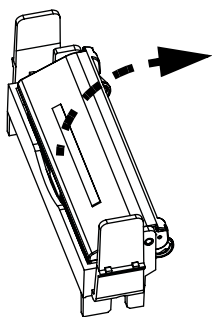
8a



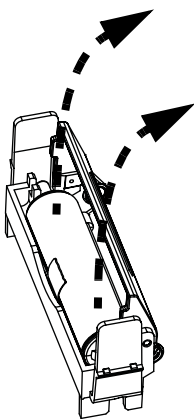
8b



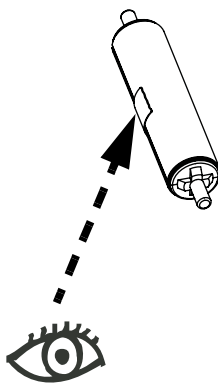
1



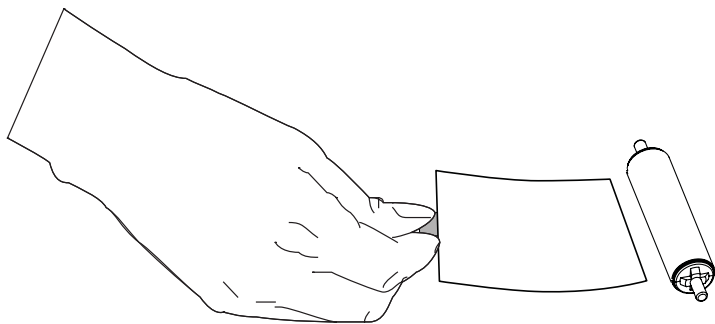
2



3



4



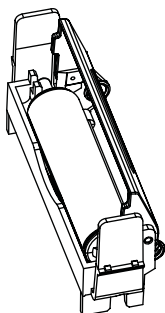
8c



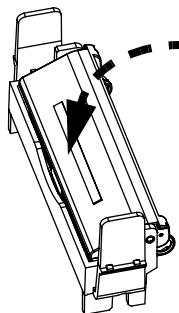
5



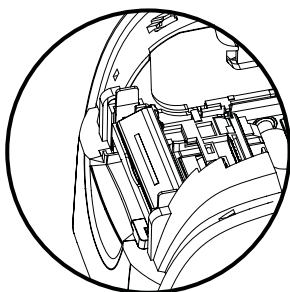
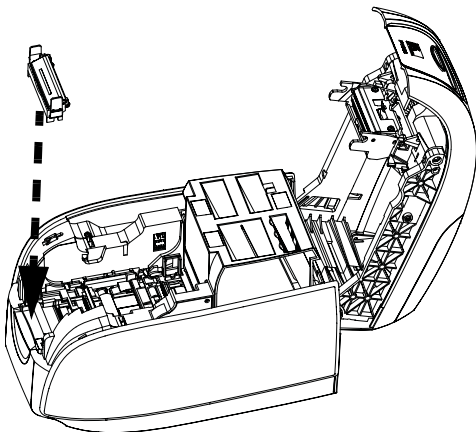
6



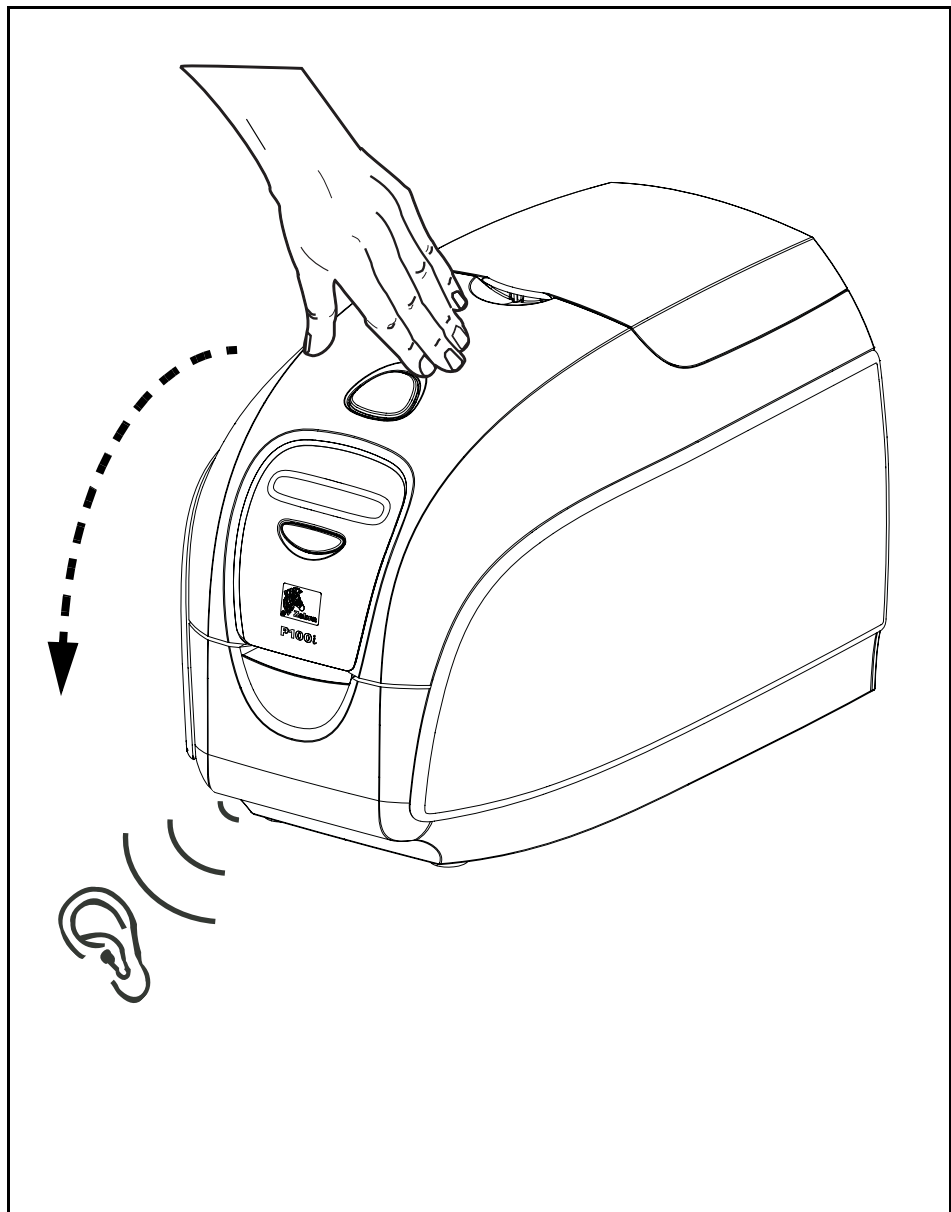
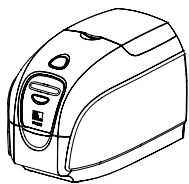
7



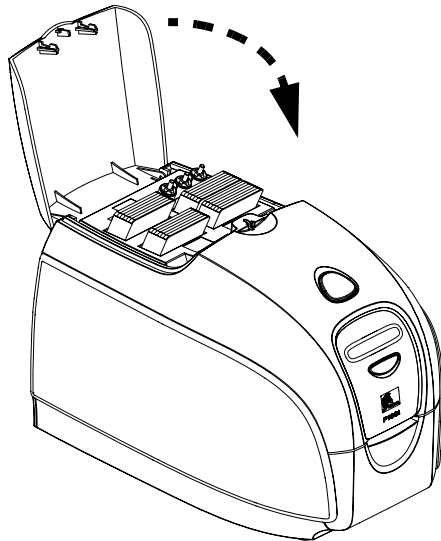
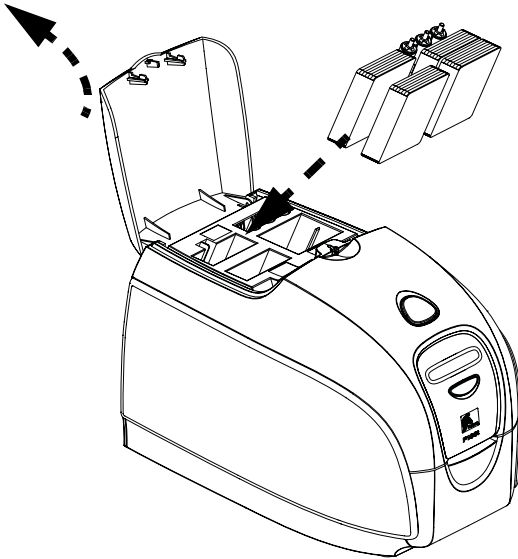
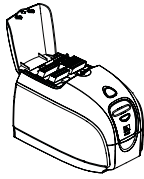
8



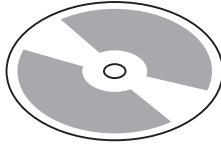
9



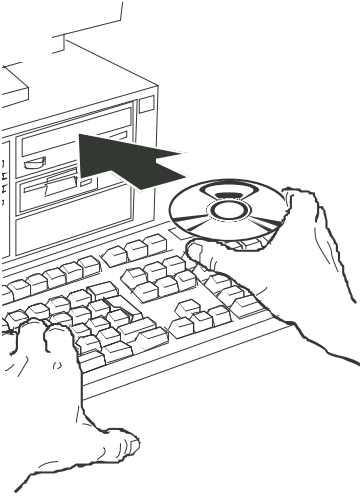
10



11



1



2

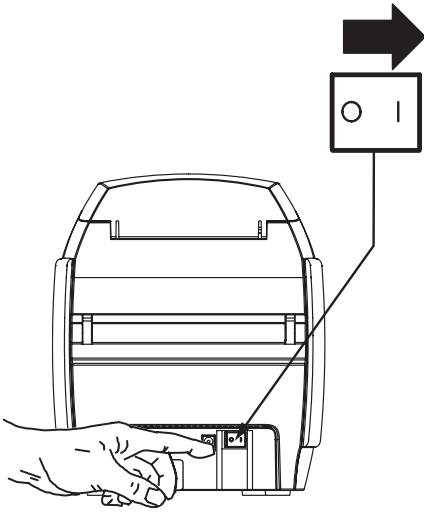


3

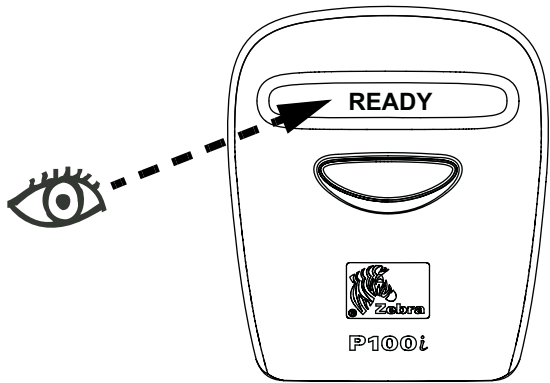


<http://www.zebracard.com>

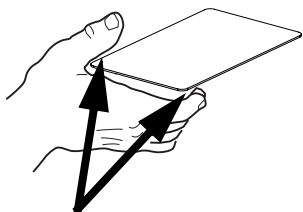
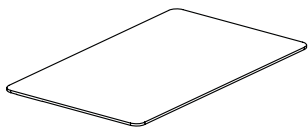
12



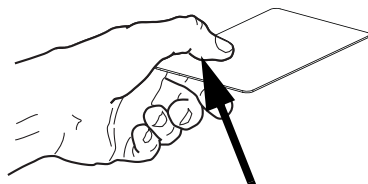
15 ± 5 sec



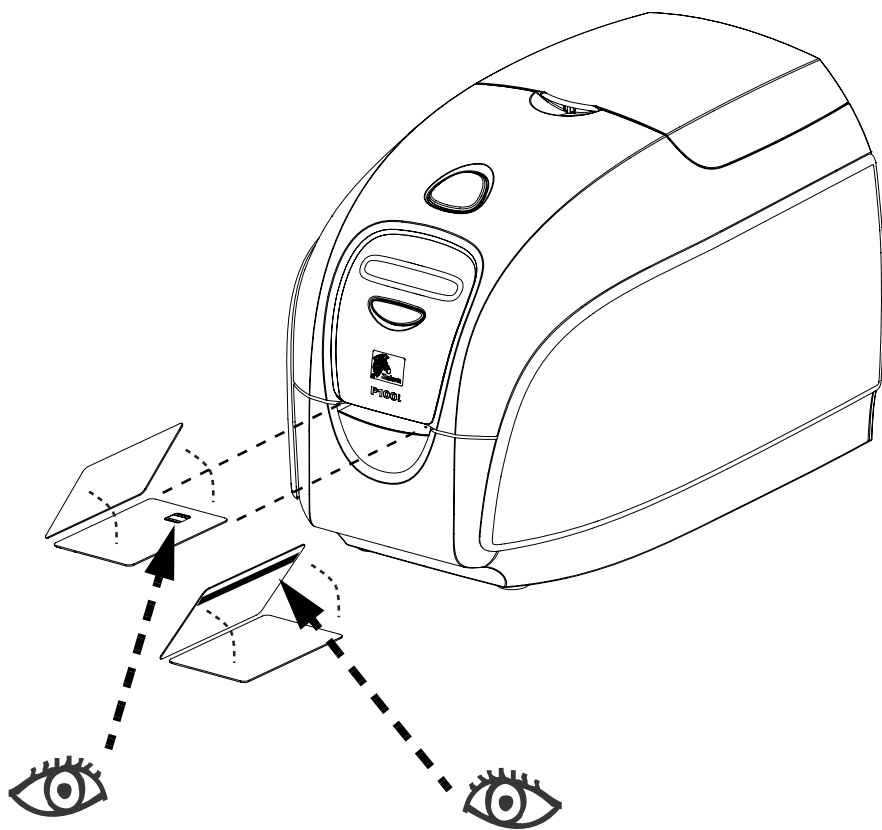
13



+



X



North America:

Zebra Technologies
Card Printer Solutions
1001 Flynn Road
Camarillo, CA 93012-8706 USA
Phone: 800-511-9909
e-mail: techsupport@zebra.com



Europe, Middle East, and Africa:

Zebra Technologies
Card Printer Solutions, Europe, Middle East, Africa
The Valley Centre, Gordon Road, High Wycombe
Buckinghamshire HP13 6EQ, England
Phone: + 44 (0) 870 241 1527 (from outside U.K.)
Phone: 0870 241 1527 (from inside U.K.)
e-mail: cardts@zebra.com



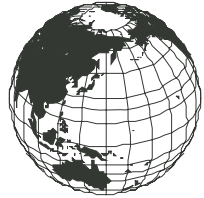
Latin America:

Zebra Technologies
Card Printer Solutions, Latin America
9800 NW 41st Street, Suite 220
Doral, FL 33178 USA
Phone: + 1 (305) 558 3100
e-mail: techsupport@zebra.com



Asia Pacific:

Zebra Technologies Asia Pacific, LLC
120 Robinson Road
#06-01 Parakou Building
Singapore 068913
Phone: + 65 6885 0833
Fax: + 65 6885 0836
e-mail: esoh@zebra.com



Website

www.zebracard.com



**Printed on
chlorine-free
recycled paper.**



**Card
Printer
Solutions**



980589-001