



Dolphin™ CT50 Non-Incendive

powered by Android 6.0

Quick Start Guide



Introduction

This document is for the Dolphin CT50 NI. This is the non-incendive version of the Dolphin CT50. The Dolphin CT50 NI can be identified by the yellow scan buttons and a device label verifying non-incendive certification.



Warning: Explosion Hazard - Substitution of components may impair suitability for Division 2 Class I, II, III locations.

Avertissement: Risque d'explosion - Le remplacement de composants risque de compromettre l'adaptation du produit aux sites de division 2 catégorie I, II, III.

Out of the Box

Make sure that your shipping box contains these items:

- Dolphin CT50 NI mobile computer (Models CT50L0N, CT50LFN)
- Rechargeable 3.6 VDC Li-ion battery.
- Quick start guide and other compliance documents

If you ordered accessories for your mobile computer, verify that they are also included with the order. Be sure to keep the original packaging in case you need to return the mobile computer for service.

Memory Card Specifications

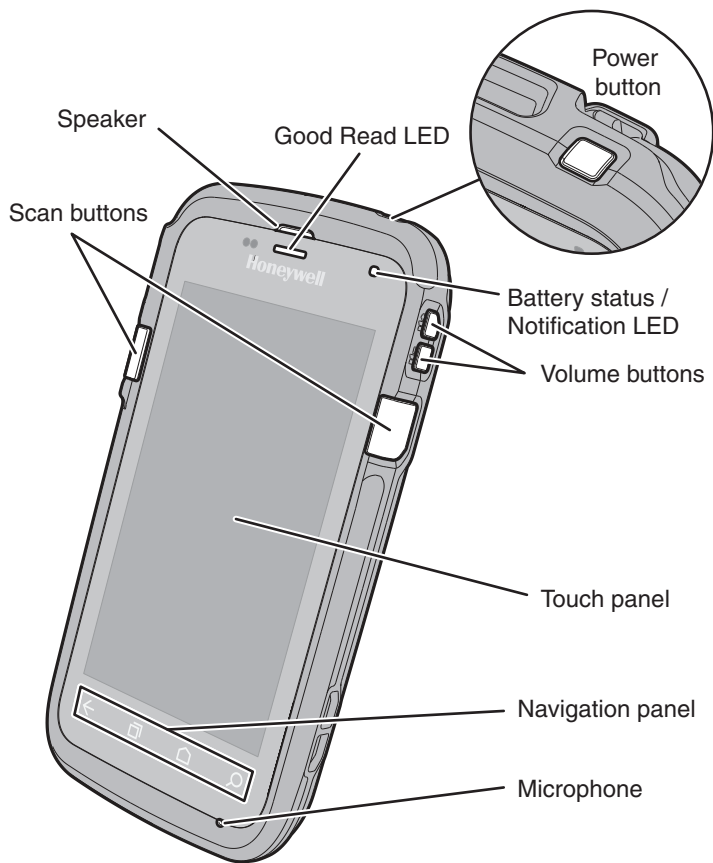
Honeywell recommends the use of Single Level Cell (SLC) industrial grade microSD™ or microSDHC™ memory cards with Dolphin mobile computers for maximum performance and durability. Contact a Honeywell sales representative for additional information on qualified memory card options.

Accessories for the Dolphin CT50 NI

These accessories are available for the CT50:

- HomeBase (Model CT50-HB)
- Ethernet HomeBase (Model CT50-EB)
- ChargeBase (Model CT50-CB)
- NetBase (Model CT50-NB)
- Quad Battery Charger (Model CT50-QBC)
- Vehicle Power Adapter (Model CT50-MC)
- Vehicle Dock (Model CT50-MB)
- USB Adapter (Model CT50-USB)
- Scan Handle
- Holster

Front Features



Back Features

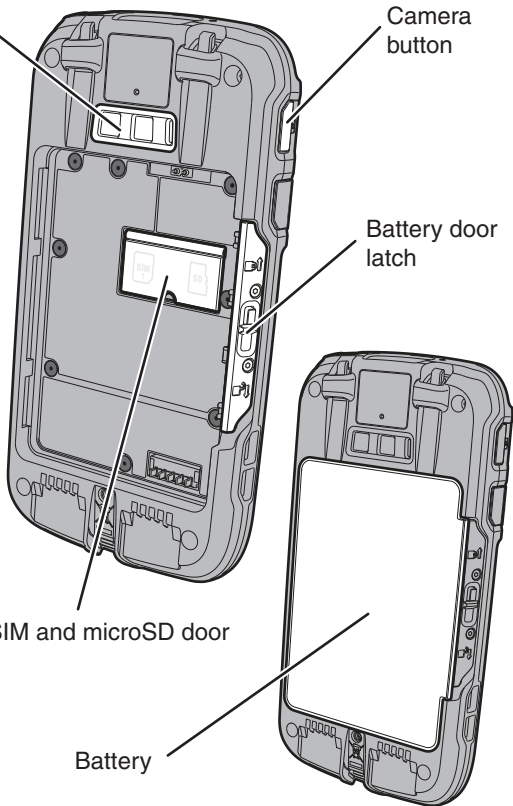
Camera lens

Camera button

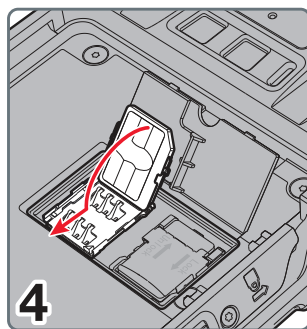
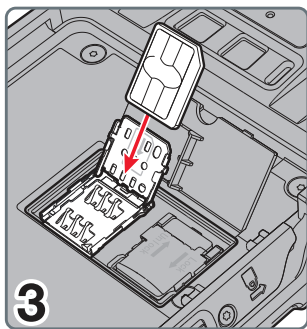
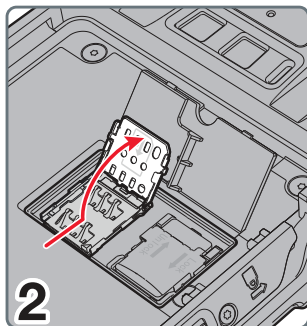
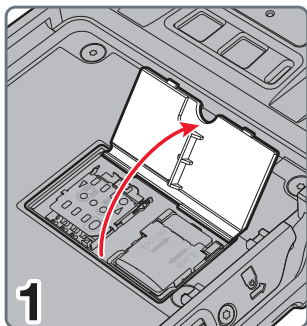
Battery door latch

microSIM and microSD door

Battery

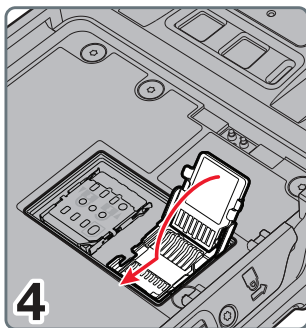
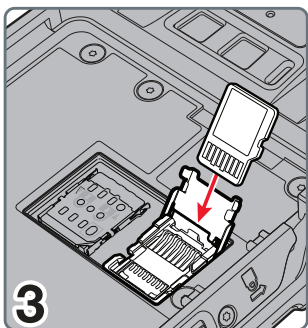
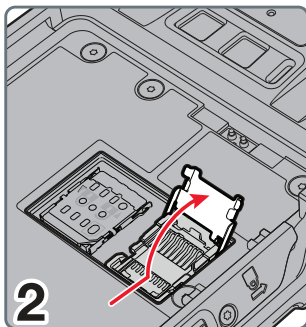
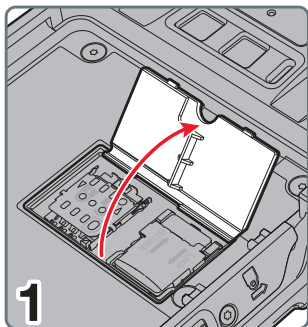


Install a microSIM Card



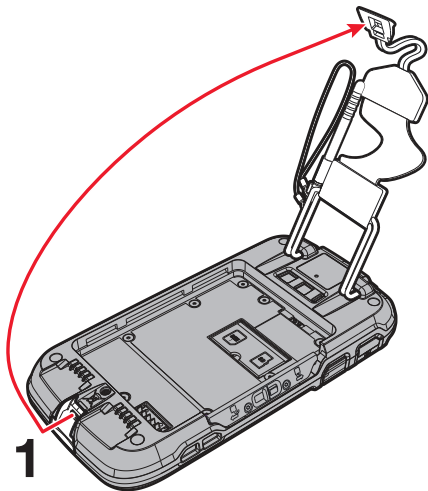
Install a microSD Card

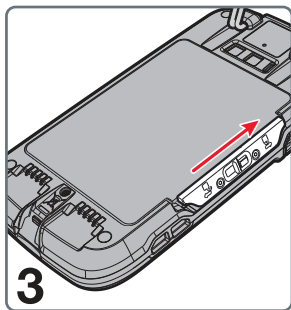
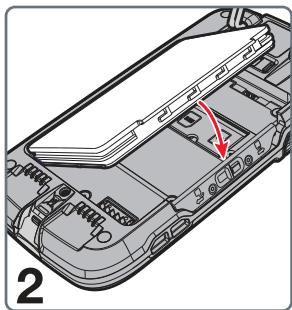
Note: Format the microSD card before initial use.



Install the Battery

The Dolphin CT50 NI mobile computers ship with a Li-ion 3.6 VDC, 14.6 watt-hour battery manufactured for Honeywell International Inc.





Charge the Computer



Warning: Explosion Hazard - Batteries must only be changed or charged in an area known to be non-hazardous. Use **ONLY** Honeywell CT50 NI battery part number 318-055-003.

Risque d'explosion - Les batteries doivent uniquement être remplacées ou rechargées dans un endroit non dangereux. Utilisez **UNIQUEMENT** Honeywell CT50 NI batterie P/N 318-055-003.

The Dolphin CT50 NI mobile computer ships with a partially charged battery. Charge the battery with a CT50 charging device for a minimum of **4 hours**. Using the computer while charging the battery increases the time required to reach a full charge.



Caution: We recommend the use of Honeywell accessories and power adapters. Use of any non-Honeywell accessories or power adapters may cause damage not covered by the warranty.



Mise en garde : Il est recommandé d'utiliser les périphériques, les cordons d'alimentation et les adaptateurs secteur conçus par Honeywell. L'utilisation de tout périphérique, cordon d'alimentation ou adaptateur secteur d'une autre marque est susceptible de provoquer des dommages non couverts par la garantie.

The Dolphin CT50 NI mobile computers are designed for use with the following charging accessories: HomeBase, Ethernet HomeBase, ChargeBase, NetBase, Quad Battery Charger, Vehicle Power Adapter, Vehicle Dock, and USB Adapter.



Caution: Make sure that all components are dry prior to using the computers and batteries with accessories. Using wet components may cause damage not covered by the warranty.



Mise en garde : Assurez-vous que tous les composants sont secs avant de connecter les terminaux/batteries à des périphériques. L'insertion de composants humides risque de provoquer des dommages non couverts par la garantie.

Turn Power On/Off

To turn the computer on:

- Press and release the **Power** button.


To turn the computer off:

1. Press and hold the **Power** button until the options menu appears.
2. Touch **Power Off**.
3. When prompted to shut down the phone, touch **OK**.

Note: You should always power off the computer before removing the battery.



Sleep Mode (Suspend Mode)

Sleep mode automatically turns the touch panel display off and locks the computer to save battery power when the computer is inactive for a programmed period of time.

1. Press and release the **Power** button to wake the computer.
2. Drag the  toward the top of the display to unlock the computer.


Adjust the Display Sleep Time

To adjust the amount of time before the display sleeps after inactivity:

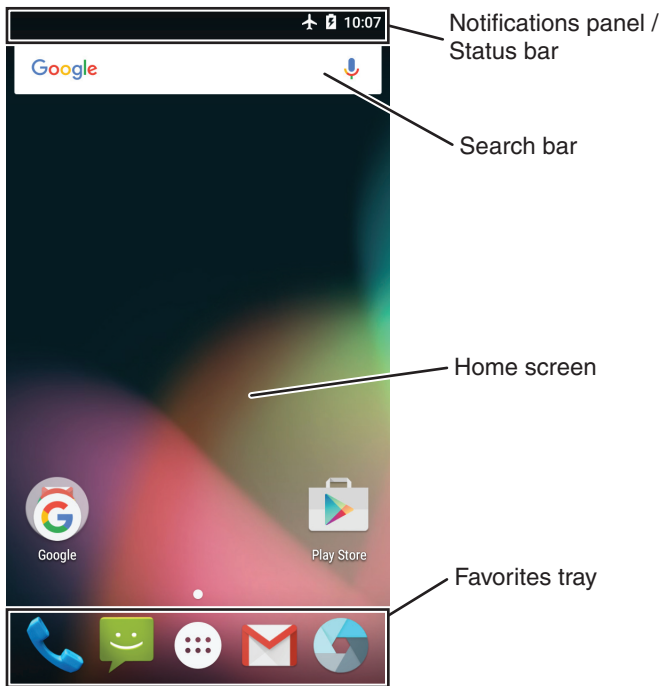
1. Touch **All Apps**  > **Settings**  > **Display** > **Sleep**.
2. Select the amount of time for inactivity before the display goes to sleep.
3. Touch Home icon to return to the Home screen.

Turn Airplane Mode On/Off





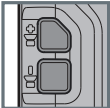
1. Swipe down from the top of the display to open the notifications panel.
2. Swipe down again to access the quick settings.
3. Touch **Airplane Mode** to toggle the mode On or Off.

Note: When Airplane Mode is turned on,  appears on the status bar.

About the Home Screen









Navigation and Function Buttons

Buttons	Description	Function
	Back	Back to the previous screen.
	Recent Apps	View and switch between recently used apps.
	Home	Return to the Home screen.
	Search	Start a search on the computer or the Internet.
	Volume	Raises or lowers the volume of the speaker.

Note: Additional functionality varies according to the application in use.




To change the default button function of the Scan button or the Left and Right side buttons, use the **Key remap** option under **Settings**. For additional information on how to remap a button function, see the user guide.

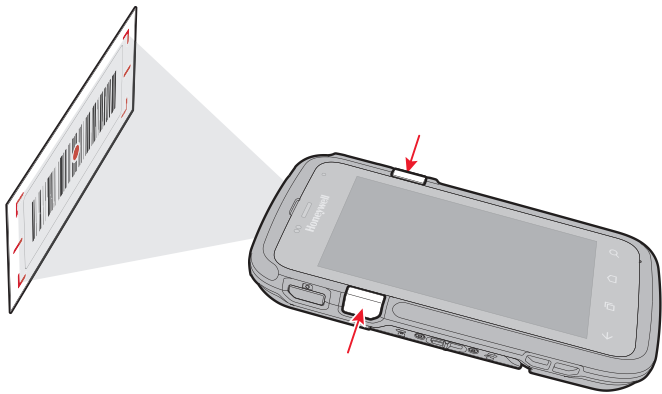
Take a Photo or Video

1. Touch  on the Home Screen. The camera application opens on the computer.
2. Swipe from the left side of the screen to select either **single photo** mode  or **video** mode .
3. Point the camera lens at the object you want to capture. The camera lens is located on the back of the computer.
4. Touch  to capture a single photo or touch  to start recording video. Touch  to stop recording video.

Scan a Bar Code with the Scan Demo

Note: For optimum performance, avoid reflections by scanning the bar code at a slight angle.

1. Touch **All Apps**  > **Demos**  > **Scan Demo** .
2. Point the computer at the bar code.
3. Touch **Scan** on the touch screen or press and hold a **Scan** button. Center the aiming beam over the bar code.



The decode results appear on the screen.

Restart the Computer

You may need to restart the mobile computer to correct conditions where an application stops responding to the system or the computer seems to be locked up.

1. Press and hold the **Power** button until the options menu appears.
2. Select **Reboot** and then **OK**.

To restart the computer if the touch panel display is unresponsive:

- Press and hold the **Power** button for approximately 8 seconds until the computer restarts.

Note: If you try to restart the computer and still experience issues, you may need to see the user guide for information on how to perform a Factory Reset (Clean Boot).

Support

To search our knowledge base for a solution or log into the Technical Support portal and report a problem, go to www.hsmcontactsupport.com.

User Documentation

For the user guide and other documentation, go to www.honeywellaidc.com.

Limited Warranty

For warranty information, go to www.honeywellaidc.com and click **Resources > Warranty**.

Patents

For patent information, see www.hsmpats.com.

Trademarks

Android and Google and other marks are trademarks of Google Inc.

Disclaimer

Honeywell International Inc. (“HII”) reserves the right to make changes in specifications and other information contained in this document without prior notice, and the reader should in all cases consult HII to determine whether any such changes have been made. The information in this publication does not represent a commitment on the part of HII.

HII shall not be liable for technical or editorial errors or omissions contained herein; nor for incidental or consequential damages resulting from the furnishing, performance, or use of this material. HII disclaims all responsibility for the selection and use of software and/or hardware to achieve intended results.

This document contains proprietary information that is protected by copyright. All rights are reserved. No part of this document may be photocopied, reproduced, or translated into another language without the prior written consent of HII.

Copyright © 2017 Honeywell International Inc. All rights reserved.

