

## Thor VM1 Field Replaceable Front Panel

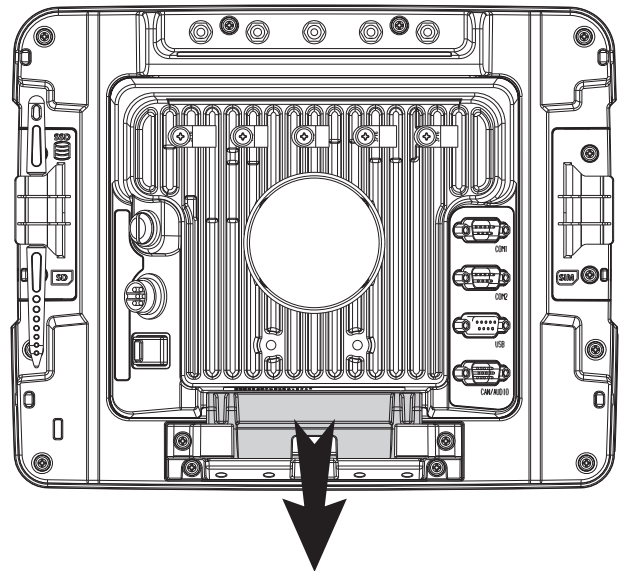
The front panel of the Thor VM1 is field replaceable. The front panel assembly contains the keyboard, touchscreen and optional defroster. Should any of these components fail, the front panel assembly can easily be replaced to minimize downtime. The replacement front panel is available in several configurations.

### **Requirements - User Supplied**

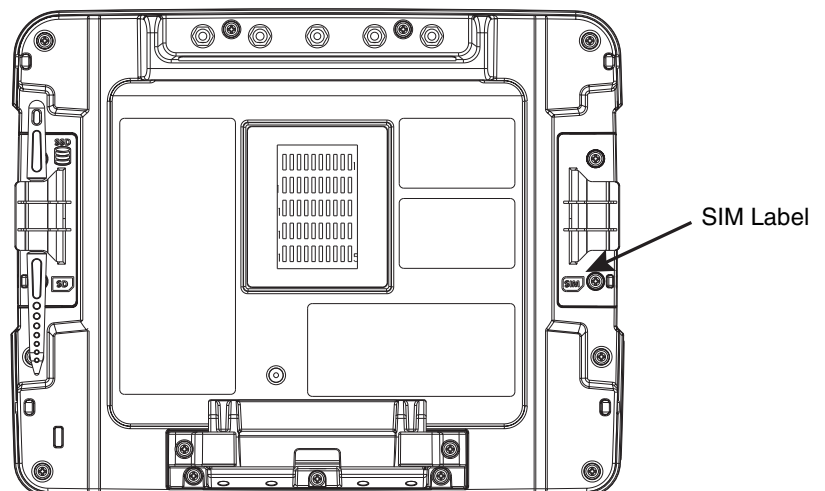
- Torquing tool capable of measuring inch pounds
- #2 Phillips screwdriver bit

### **Replacing Front Panel**

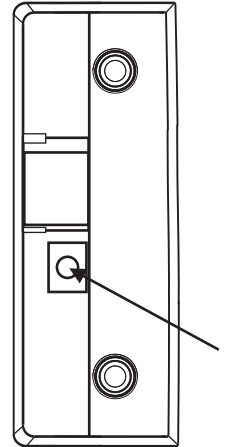
1. If the Thor VM1 has a Windows CE operating system, place the Thor VM1 in Suspend by pressing the **Power** button on the front of the Thor VM1. If the Thor VM1 has a Windows Embedded Standard operating system, select **Shut Down** from the Windows Shut Down menu.
2. Remove the Thor VM1 from the Quick Mount Smart Dock by pulling down on the red quick release handle, lifting the bottom of the Thor VM1 away from the dock, and lifting the Thor VM1 up and away from the dock.



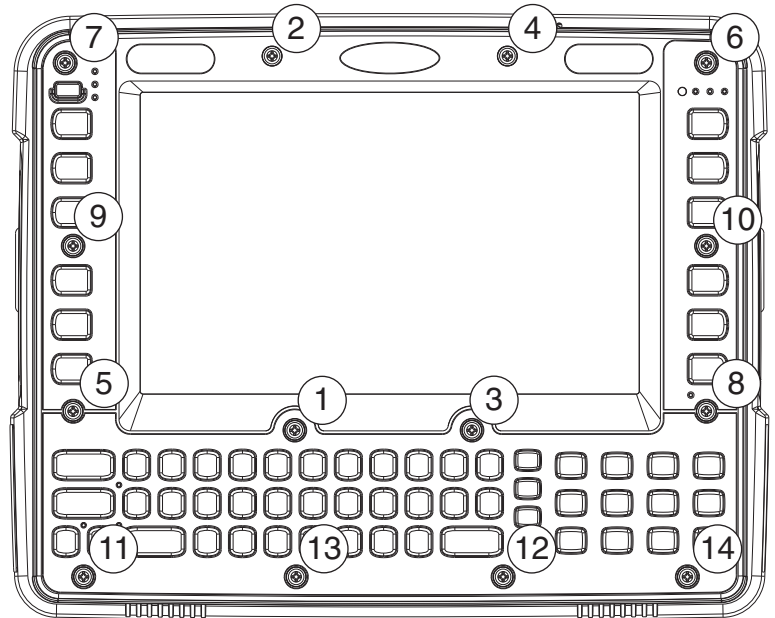
3. Place the Thor VM1 face down on a clean, well lit stable surface.
4. Use a #2 Phillips bit to loosen the captive M3 screws on the tethered access panel with the SIM label.



5. Remove the tethered access panel from the opening and press the **UPS battery disconnect** button located just below the SIM card installation slot.

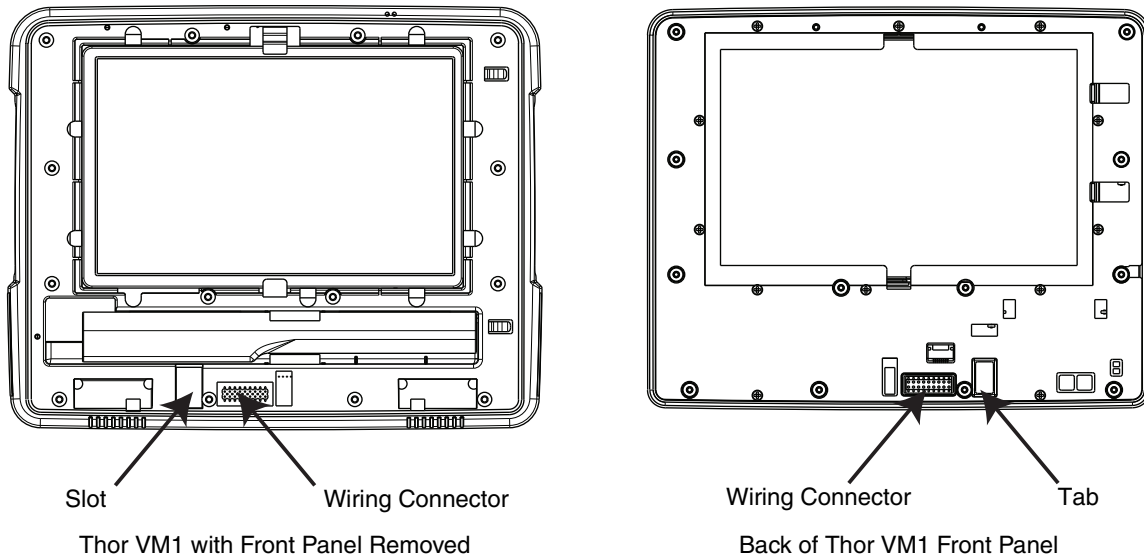


6. Reinstall the access panel cover. Torque the M3 screws to 4-5 inch pounds using a #2 Phillips bit.
7. Turn the Thor VM1 face up.
8. Use a #2 Phillips bit to loosen the fourteen (14) captive M3 screws that hold on the front panel.



9. Carefully lift the front panel away from the device.

10. Position the replacement front panel so the tab on the back of the front panel lines up with the slot on the Thor VM1. Be sure the two wiring connectors are also aligned.



11. Gently press the front panel into place.
12. Tighten the fourteen (14) captive M3 screws in the order shown in the figure for step 8 above. Use a #2 Phillips bit and torque the screws to 6-7 inch pounds.
13. Reinstall the Thor VM1 in the dock. When the Thor VM1 is placed in the powered dock, the UPS battery automatically reconnects.
14. Press the **Power** button on the front of the Thor VM1.
15. The Thor VM1 automatically recognizes any change in keyboard configuration.
16. If the Thor VM1 has a Windows CE operating system and the defroster configuration has changed, use the Test button on the Peripherals control panel to update the Thor VM1's configuration. Select **Start > Settings > Control Panel > Peripherals** and tap the **Test** button.
17. The Thor VM1 is ready for use.

