

**CITIZEN®**

# **Service Manual**

**DOT MATRIX PRINTER**

**MODEL   CBM-910II**

Aug 20th, 2005 Issued

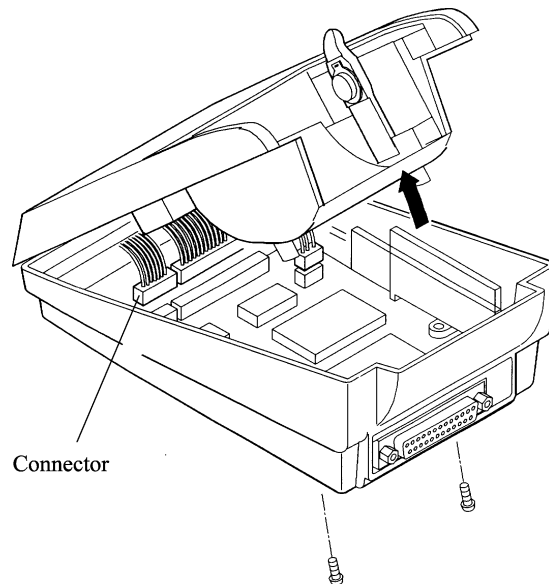
**CITIZEN SYSTEMS JAPAN CO.,LTD.**

## Contents

1.	How to remove the Upper Cover .....	1
2.	How to remove the Printer Mechanism.....	1
3.	How to remove the Control Board.....	2
4.	How to remove the Paper Holder .....	2
5.	How to remove the Operation Panel.....	3
6.	How to remove the Paper Hook.....	3
7.	Exploded View CBM-910 II.....	4
8.	Exploded View : CBM-910 .....	5
9.	CBM-910II Parts List 1/2 .....	6
10.	CBM-910II PartsList 2/2 .....	7
11.	PartsPosition:CBM-910IIRF.....	8
12.	Parts Position : CBM-910IIPF .....	9
13.	SchematicDiagramCBM-910IIRF.....	10
14.	SchematicDiagramCBM-910IIPF.....	11

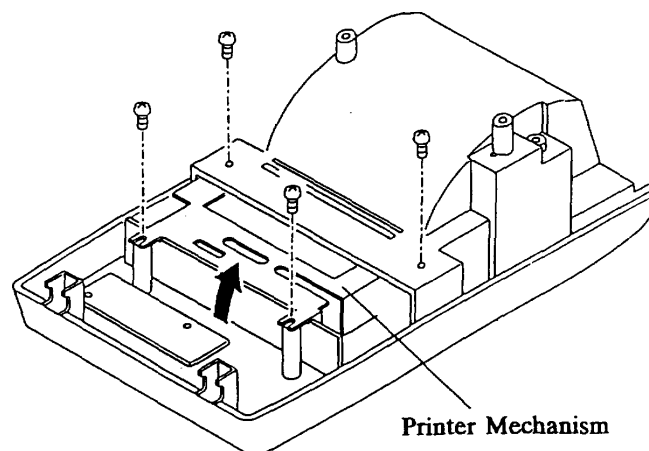
## 1. How to remove the Upper Cover

- (1) Unfasten 2 screws M3 × 8 on the Bottom Cover.
- (2) Lift the Upper Cover in the arrow direction removal.
- (3) Unfasten 2 screws, The Printer Mechanism mounting screw, then remove the Shield Plate from the Printer Mechanism.
- (4) Disconnect the 2 Connectors from the Control Board.



## 2. How to remove the Printer Mechanism

- (1) Remove the Upper Cover.
- (2) Unfasten 4 screws M2.6 × 8 and M2 × 6 as shown below.
- (3) Lift the Printer Mechanism in the arrow direction.

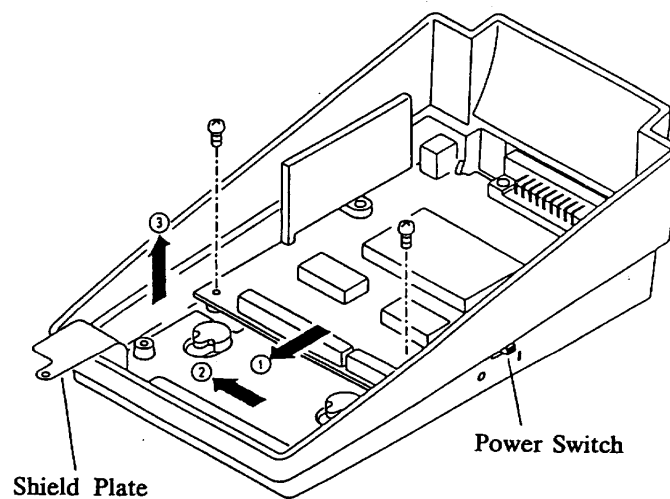


### 3. How to remove the Control Board

- (1) Remove the Upper Cover.
- (2) Unfasten 2 screws M3 × 8 as shown below.
- (3) Shift the Control Board in the arrow direction ①.
- (4) Shift the Control Board in the arrow direction ②.

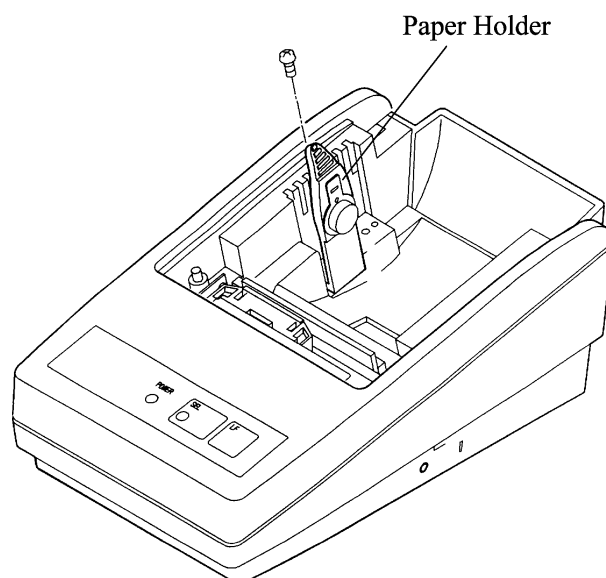
And remove the Power Switch from the Bottom Cover. Then lift in the arrow direction ③.

Remove the shield Plate together with the Control Board.



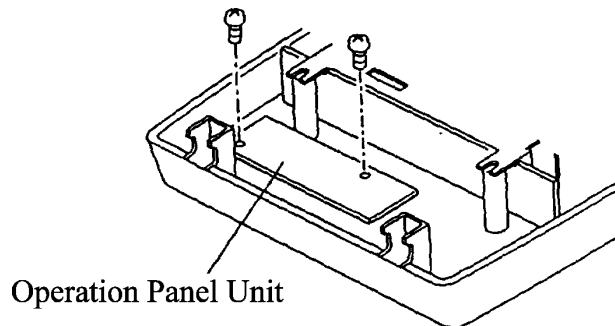
### 4. How to remove the Paper Holder

- (1) Remove the Printer Cover.
- (2) Unfasten a screw as shown below.



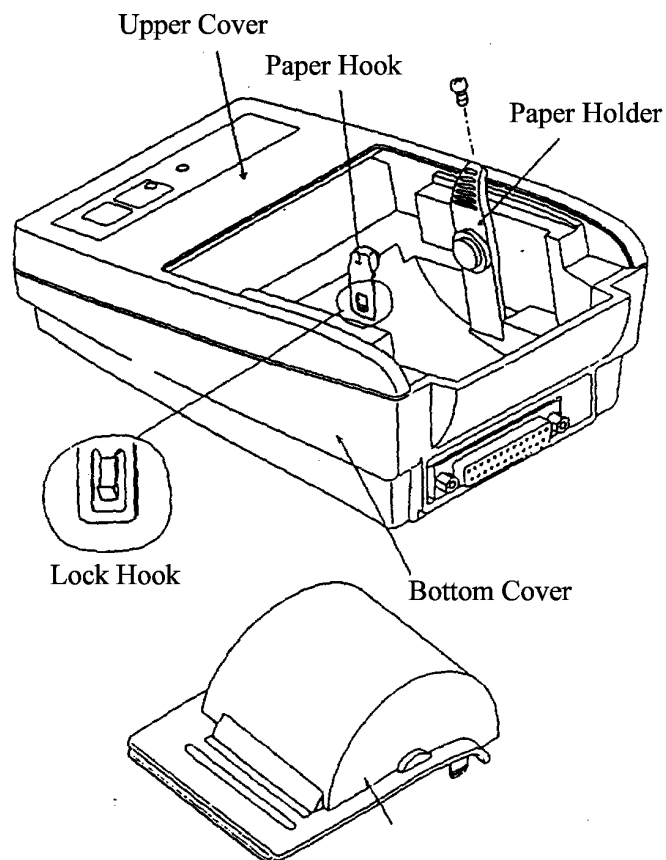
## 5. How to remove the Operation Panel

- (1) Remove the upper Cover.
- (2) Unfasten 2 screws M2.6 × 6 as shown below.

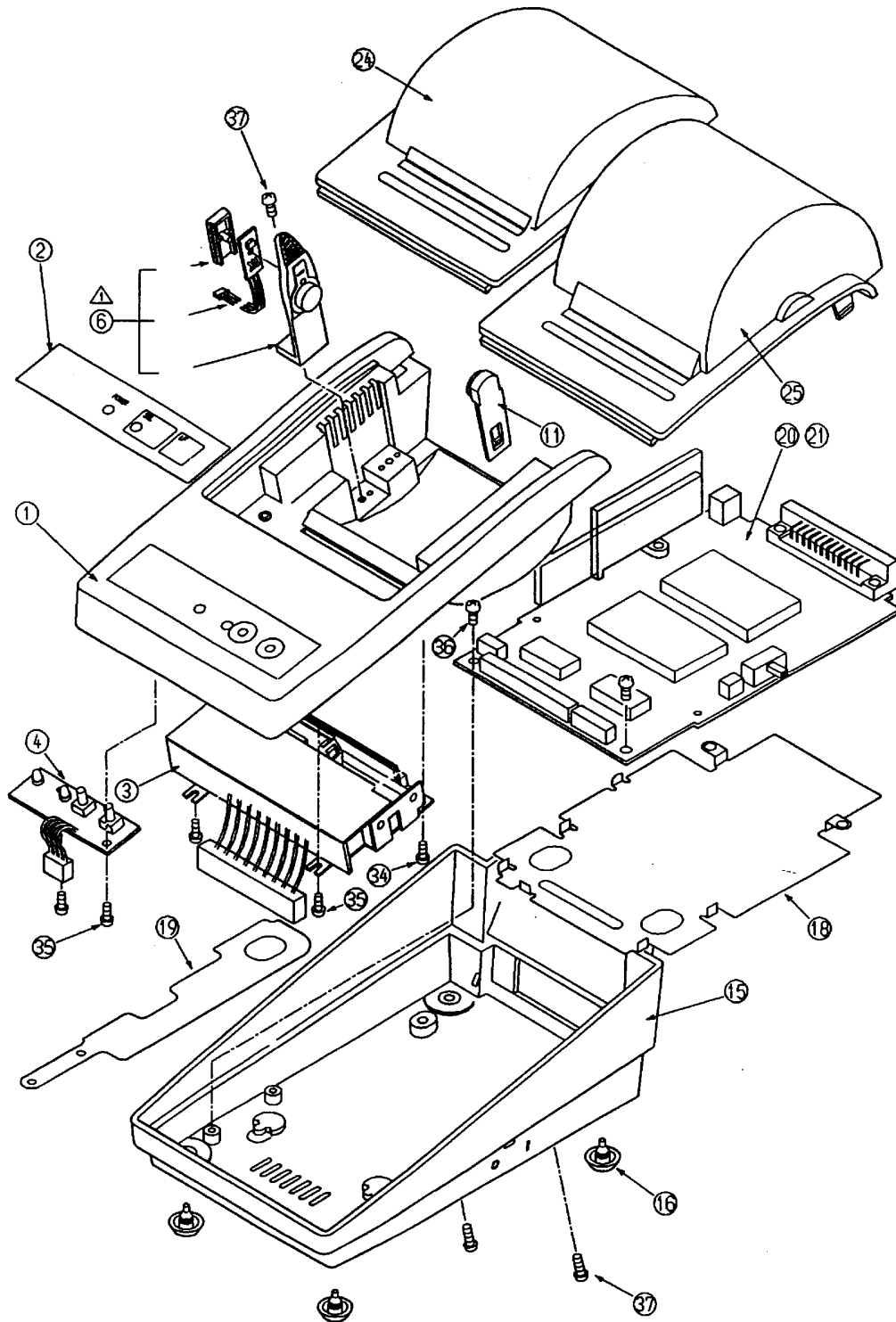


## 6. How to remove the Paper Hook

- (1) Remove the Printer Cover.
- (2) Release a Lock Hook as shown below and lift the Paper Hook to the upside.
- (3) When you set this Lock Hook, set the side of Hook to the Upper Cover, and according to the guide, inset the Lock Hook until this is locked completely.



## 7. Exploded View: CBM-910II

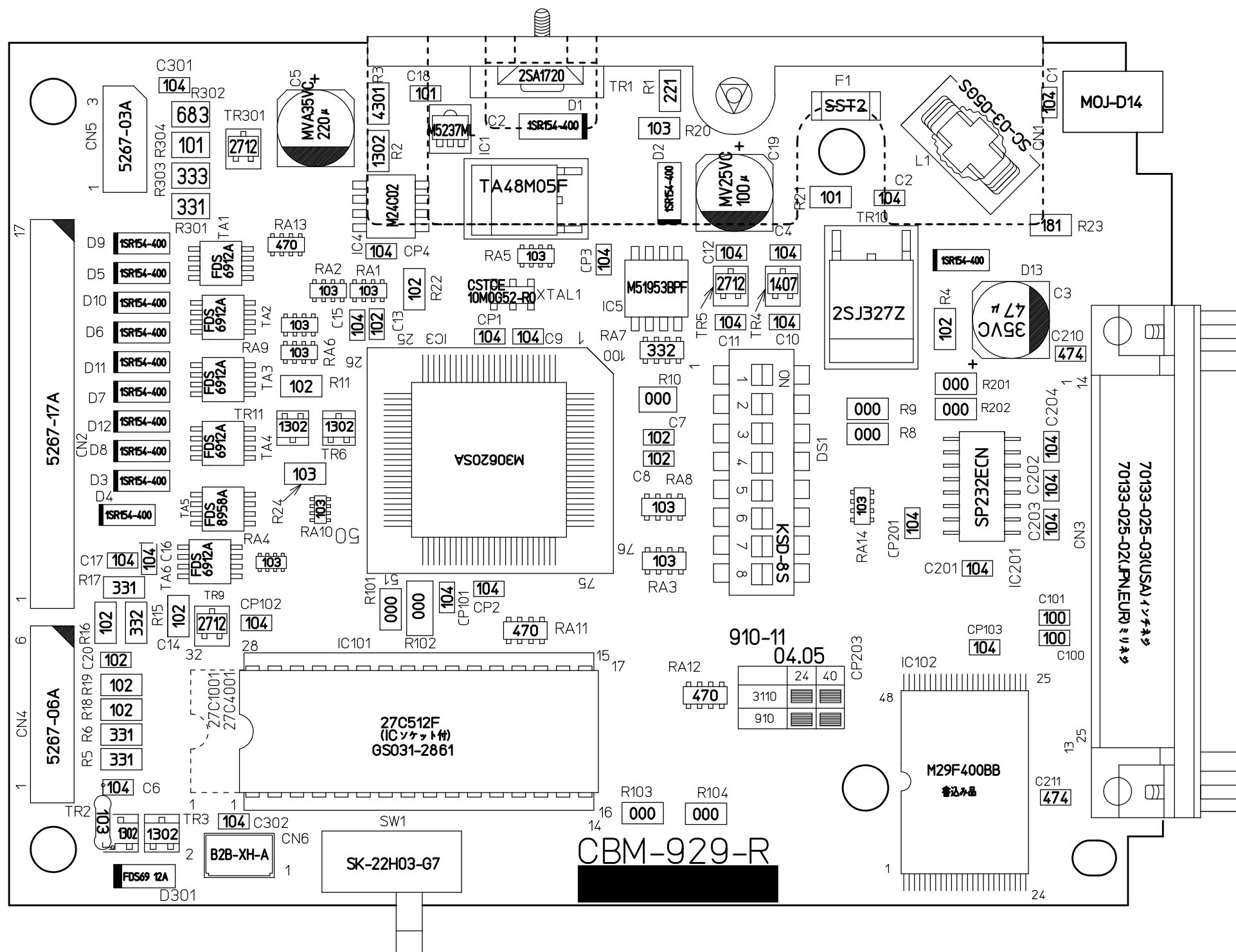


Ref No.	Parts No.	Description	Remarks
1	E 62010670	Top case	Standard color
2	80-0159	OP sheet	
3	MD910	Printer MD910	24 columns
3	MD911	Printer MD911	40 columns
4	E 4000-850	OP assy	
SW1,2	E 5102-430	SWITCH SKHHAN	
LED1,2	E 480-290	LED SEL2310E	
6	E 4000-970	PE Holder assy	
11	E 6611-405	Paper hook	
15	E 62020140	Bottom case	Standard color
16	E 6302-290	Foot	
18	E 4035-720	Schield plate	
19	E 4035-730	Ground sheet	
24	E 62040170	Printer cover (H) (ø 80 roll)	
25	E 62040180	Printer cover (ø 60 roll)	
34	76G23760	Screw M2 x 6	
35	76G22839	Screw M2.6 x 8	
37	76G40207	Screw M3 x 10	
	92ADU	AC adaptor 92AD-U	USA
	92ADJ	AC adaptor 92AD-J	JPN
	92ADE	AC adaptor 92AD-E	EUR

CBM-910II Parts List

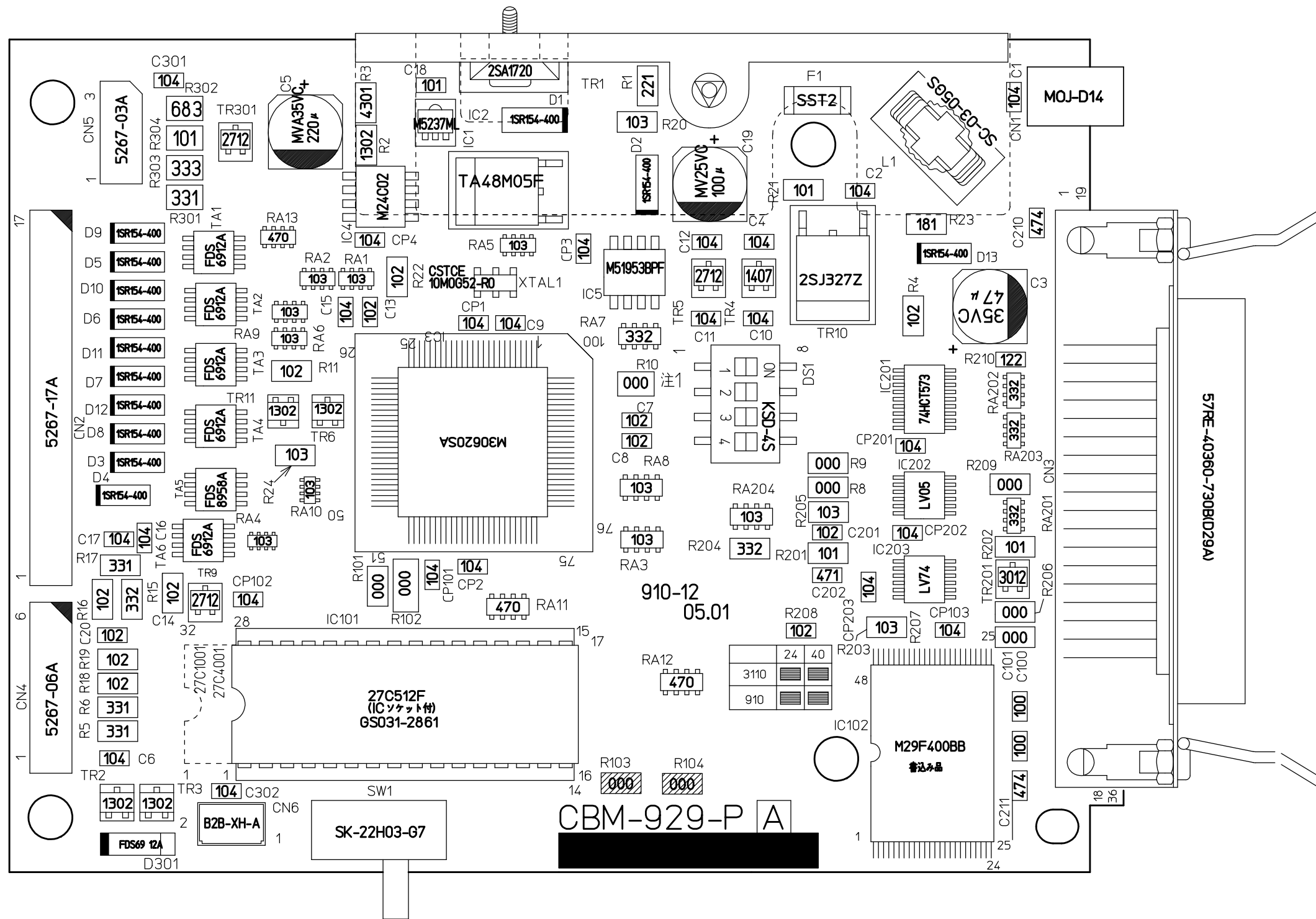
Ref No.		Parts No.	Description	Q"ty		Remarks
R	P			R	P	
		950037-00	PCB Assy 910-2 R JPN/EUR 24col	(1)		JPN/EUR 24col
		950038-00	PCB Assy 910-2 R USA 24col	(1)		U S A 24col
		950039-00	PCB Assy 910-2 R JPN/EUR 40col	(1)		JPN/EUR 40col
		950042-00	PCB Assy 910-2 R USA 40col	(1)		USA 40col
		950040-00	PCB Assy 910-2 P 24 col		(1)	24 columns
		950041-00	PCB Assy 910-2 P 40col		(1)	40 columns
IC3	IC3	H130006-10	CPU M30620M8A	1	1	
IC4	IC4	H120012-00	EEPROM M24C02WMN6	1	1	
IC5	IC5	H150001-10	Reset IC M51953BPF	1	1	
IC2	IC2	H170007-10	Regulator M5237ML	1	1	
IC1	IC1	H170008-10	Regulator TA48M05F	1	1	
IC201		H160001-10	I/F IC SP232ECN	1	0	
	IC201,IC202	H110023-10	HCMOS SN74LV05APW	0	2	
	IC203	H110012-00	HCMOS 74LV74APW	0	1	
TA1-TA4,TA6	TA1-TA4,TA6	H240011-10	Transistor array FDS6912A	5	5	
TA5	TA5	H240012-10	Transistor array FDS8958A	1	1	
TR1	TR1	H200002-10	Transistor 2SA1720	1	1	
TR4,TR5,TR9	TR4,TR5,TR9	H220001-10	Transistor 2SC2712	3	3	
TR2,TR3	TR2,TR3	H290002-10	Transistor RN1302	2	2	
TR6,TR11	TR6,TR11	H290002-10	Transistor RN1302	2	2	
	TR202	H290002-10	Transistor RN1302	0	1	
	TR201	H280005-10	Transistor 2SK3018	0	1	
TR10	TR10	H280006-10	FET 2SJ327Z	1	1	
	TR201	H280005-10	FET 2SK3018	0	1	
XTAL1	XTAL1	H630008-10	Ceramic X'tal CSTCE10M0G52-R0	1	1	
SW2		H610001-10	DIPSW KSD08S	1	0	
	SW2	H610003-10	DIPSW KSD04S	0	1	
SW1	SW1	H650014-10	Power S W SK-22H03-G7	1	1	
CN1	CN1	H500050-10	Connector MOJ-D14	1	1	
CN2	CN2	H500051-10	Connector 5267-17A	1	1	
CN3		H500024-10	Connector 70013-025-03	1	0	
CN3		H500025-10	Connector 70013-025-04	1	0	
	CN3	H500027-10	Connector 57RE-40360-730B(D29)	0	1	
CN4	CN4	H500008-10	Connector 5267-06A	1	1	
F1	F1	H620012-10	Fuse SST2	1	1	
L1	L1	H640010-00	SC coil SC-03-05GS	1	1	
CN5	CN5	H500005-10	Connector 5267-03A	<1>	<1>	





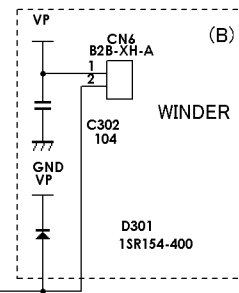
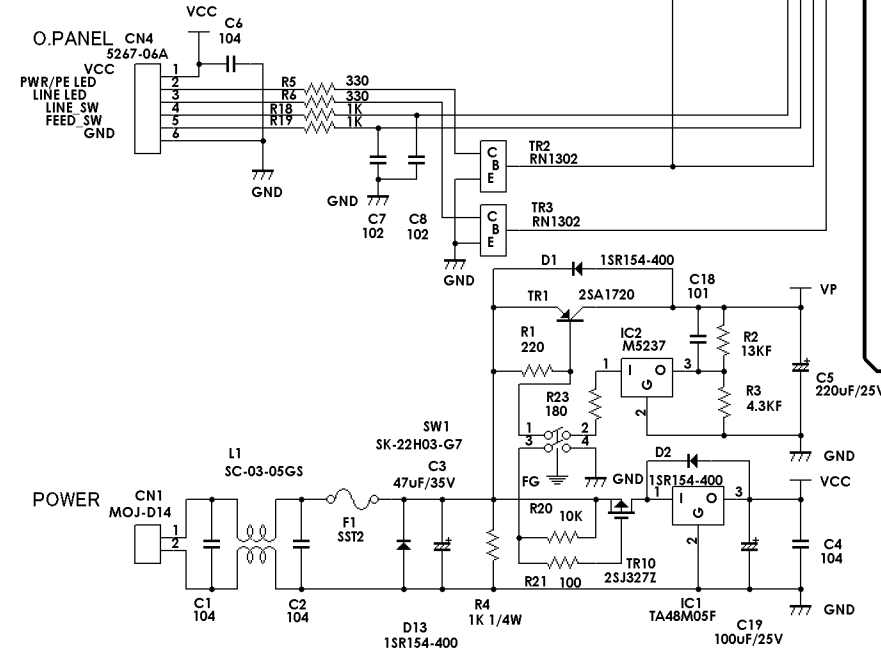
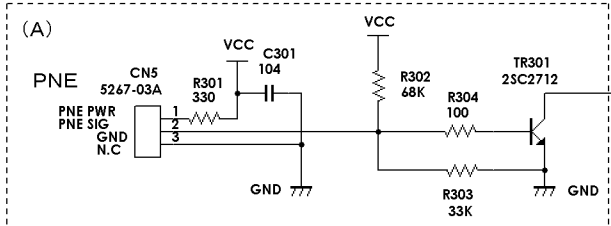
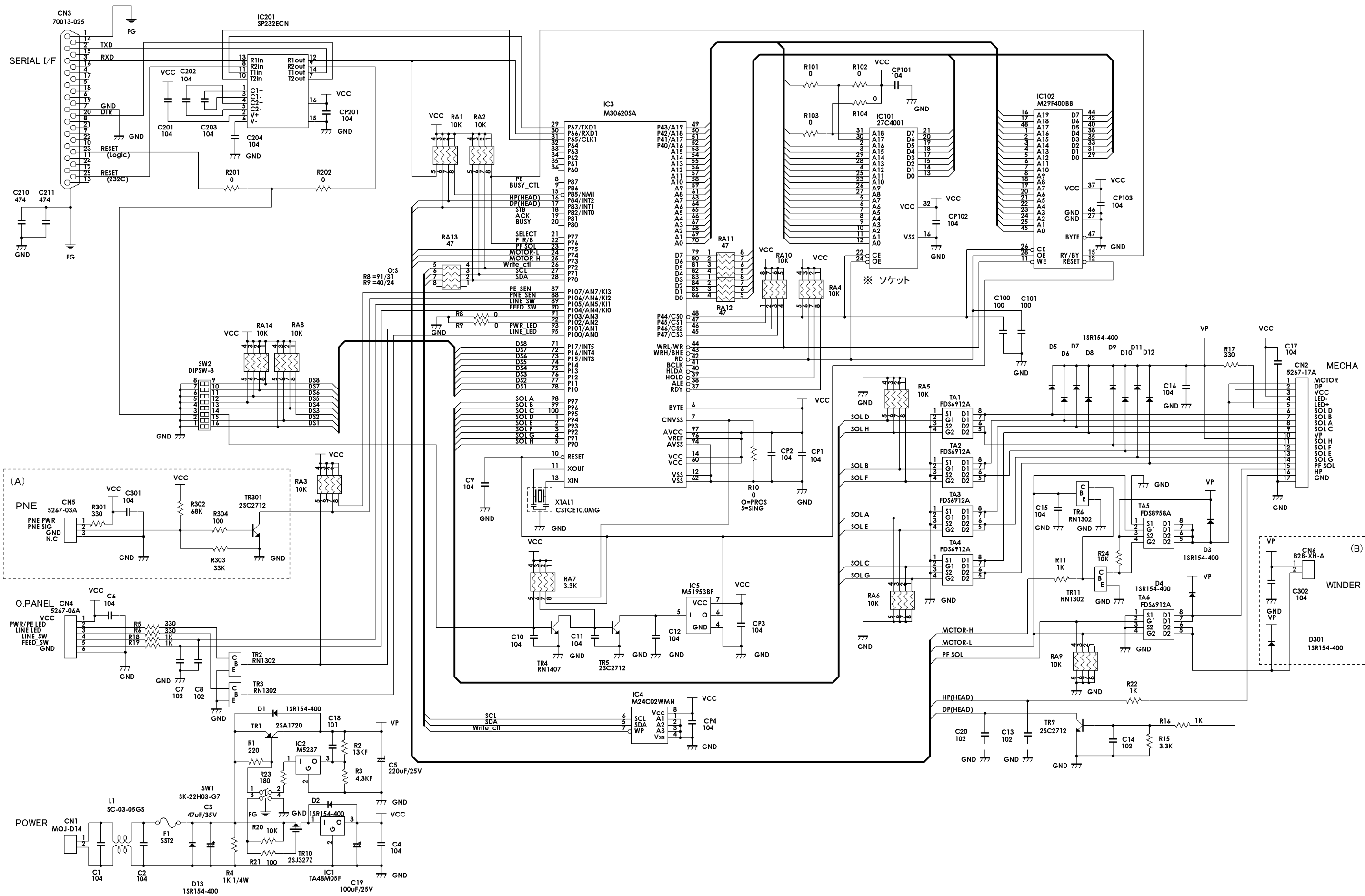
版  
 3SEC-1290  
 図 細

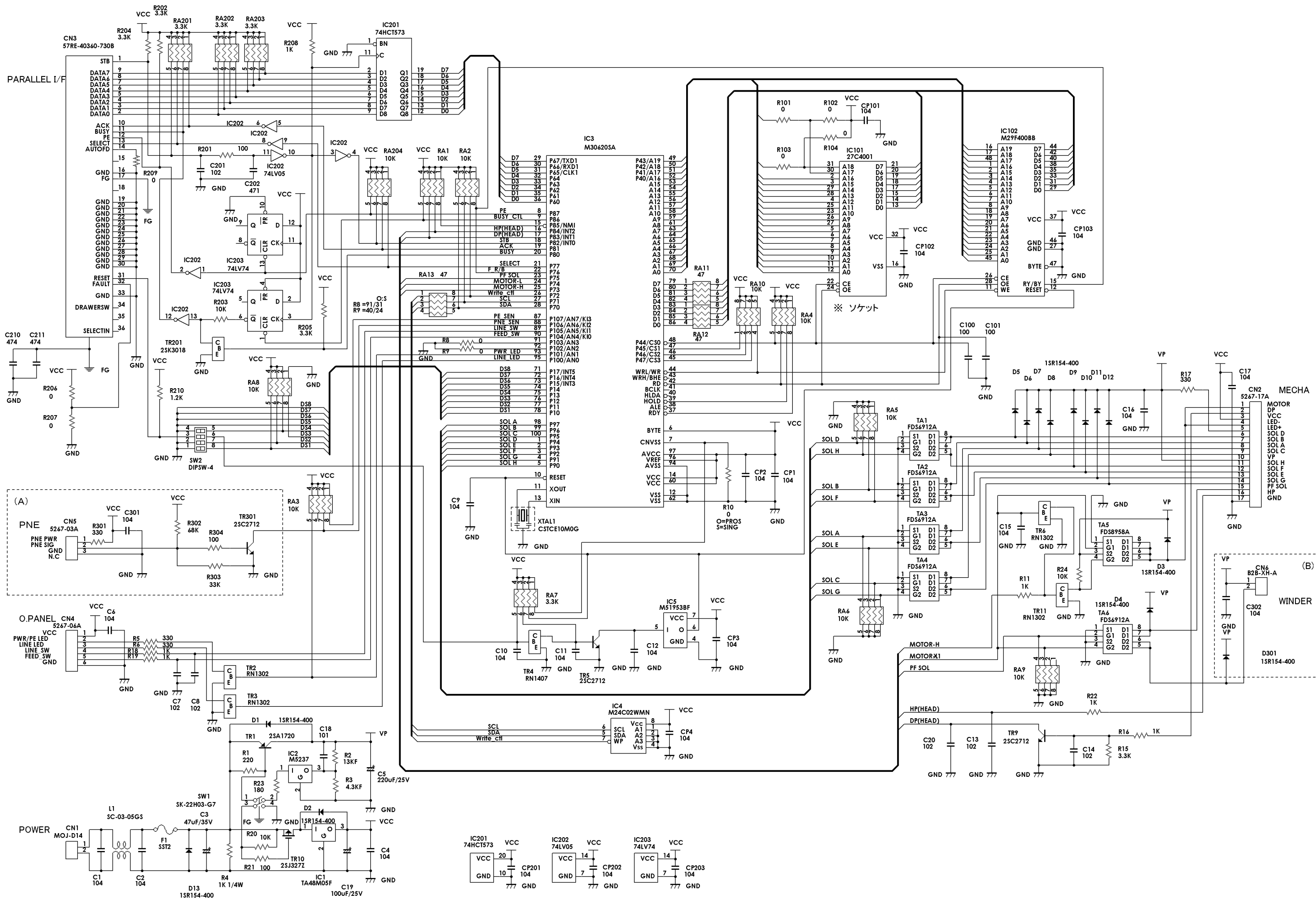
THIRD ANGLE	TREATMENT	MATERIAL	T=						
UNIT mm				MARK	DATE	REVISION	REV.No.	DRAWN	APPR/DATE
SCALE	TOLERANCE		MODEL	TITLE					
Free	DIMENSION	ANGLE	CBM-910II CBM-929	部品配置図(シリアル)					
Japan CBM Corporation			APPROVED	DESIGNED	DRAWN	PARTS No. 910-11			



3SEC-1291  
 版 2  
 図 細

THIRD ANGLE	TREATMENT	MATERIAL	T=	MARK	DATE	REVISION	REV.No.	DRAWN	APPR/DATE	APPR
UNIT mm										
SCALE	TOLERANCE		MODEL	QTY	TITLE					
Free	DIMENSION	ANGLE	CBM-910II CBM-929	(1)	部品配置図(パラレル)					
Japan CBM Corporation			APPROVED	DESIGNED	DRAWN	PARTS No.		910-12		





PARALLEL I/F

(A)

MECHA

(B)

WINDER

