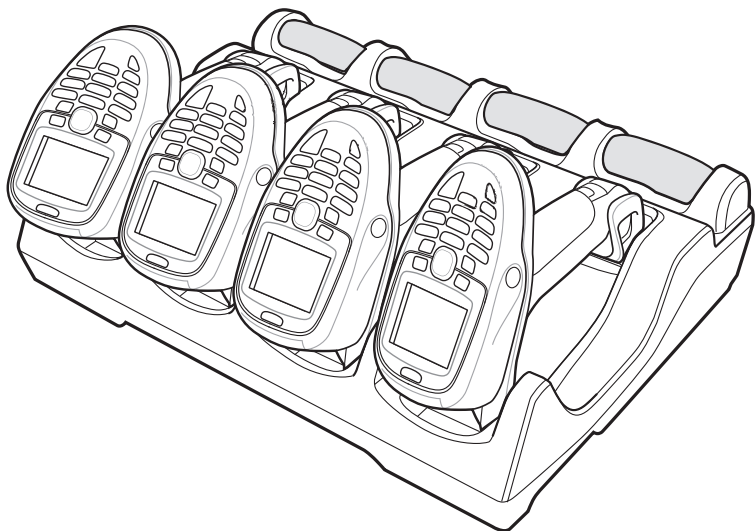


STB2000-C40007R/C40017R Cradles

Quick Reference Guide



No part of this publication may be reproduced or used in any form, or by any electrical or mechanical means, without permission in writing from Zebra. This includes electronic or mechanical means, such as photocopying, recording, or information storage and retrieval systems. The material in this manual is subject to change without notice.

The software is provided strictly on an “as is” basis. All software, including firmware, furnished to the user is on a licensed basis. Zebra grants to the user a non-transferable and non-exclusive license to use each software or firmware program delivered hereunder (licensed program). Except as noted below, such license may not be assigned, sublicensed, or otherwise transferred by the user without prior written consent of Zebra. No right to copy a licensed program in whole or in part is granted, except as permitted under copyright law. The user shall not modify, merge, or incorporate any form or portion of a licensed program with other program material, create a derivative work from a licensed program, or use a licensed program in a network without written permission from Zebra. The user agrees to maintain Zebra’s copyright notice on the licensed programs delivered hereunder, and to include the same on any authorized copies it makes, in whole or in part. The user agrees not to decompile, disassemble, decode, or reverse engineer any licensed program delivered to the user or any portion thereof.

Zebra reserves the right to make changes to any software or product to improve reliability, function, or design.

Zebra does not assume any product liability arising out of, or in connection with, the application or use of any product, circuit, or application described herein.

No license is granted, either expressly or by implication, estoppel, or otherwise under any Zebra intellectual property rights. An implied license only exists for equipment, circuits, and subsystems contained in Zebra products.

Zebra and the Zebra head graphic are registered trademarks of ZIH Corp. The Symbol logo is a registered trademark of Symbol Technologies, Inc., a Zebra Technologies company.

Warranty

For the complete Zebra hardware product warranty statement, go to:

<http://www.zebra.com/warranty>.

Introduction

The STB2000-C40007R four slot charge only and STB2000-C40017R four slot Ethernet cradle act as chargers and host communication interfaces for the MT2000 Series cordless scanners and batteries. Cradles can sit on a desktop or be mounted on a wall. This document provides basic instructions for cradle set up and use. Unless otherwise noted, *cradle* refers to both configurations of the cradle. Any discussion of transmission of information refers specifically to the STB2000-C40017R four slot Ethernet cradle.

Cradle Configurations

STB2000-C40007R: Four slot, charge only. Charges up to four scanners and up to four spare batteries.

STB2000-C40017R: Four slot, Ethernet. Charges up to four scanners and up to four spare batteries; synchronizes up to four scanners with a host computer through an Ethernet connection (see [Ethernet Cradle Connections on page 6](#)).

Accessories

- Power supply (p/n 50-14000-241R or PWRS-14000-241R) and DC cable (p/n 50-16002-029R) for desk/wall mounting configuration.

Optional:

- DC split cable (p/n 25-121355-01R); when daisy chaining, allows one power supply for two cradles.
- Four screws for wall mounting (not available from Zebra).

Related Documentation

- *MT2070/ MT2090 Quick Start Guide* - describes how to get the scanner up and running (p/n 72-117308-xx).
- *MT2070/ MT2090 User Guide* - describes how to use the scanner (p/n 72E-117859-xx).
- *MT2070/ MT2090 Integrator Guide* - describes how to set up the scanner and accessories (72E-117858-xx).
- *Enterprise Mobility Developer Kit (EMDK) Help File* - provides API information for writing applications.

Unpacking

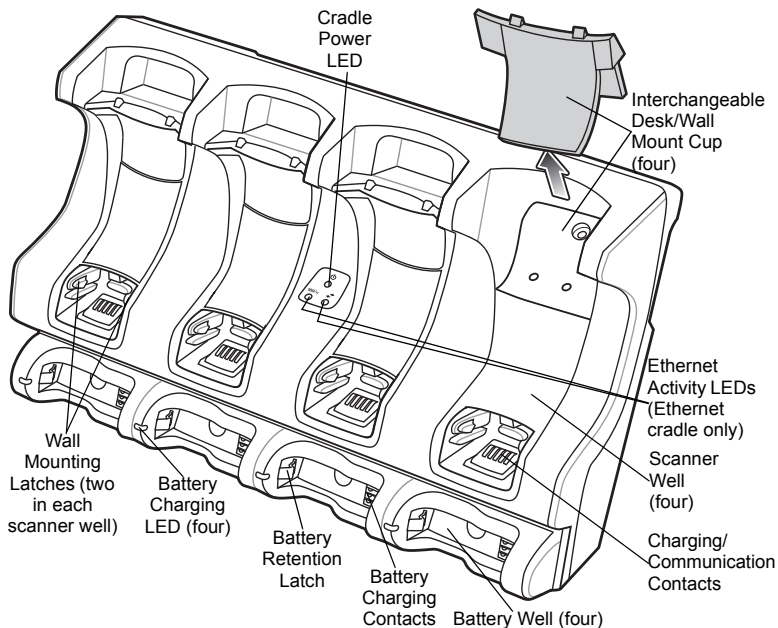
Carefully remove all protective material from around the equipment and inspect it for damage. If any equipment is missing or damaged in transit, contact Zebra Support. KEEP THE PACKING. It is the approved shipping container and should be used if the equipment ever needs to be returned for servicing.

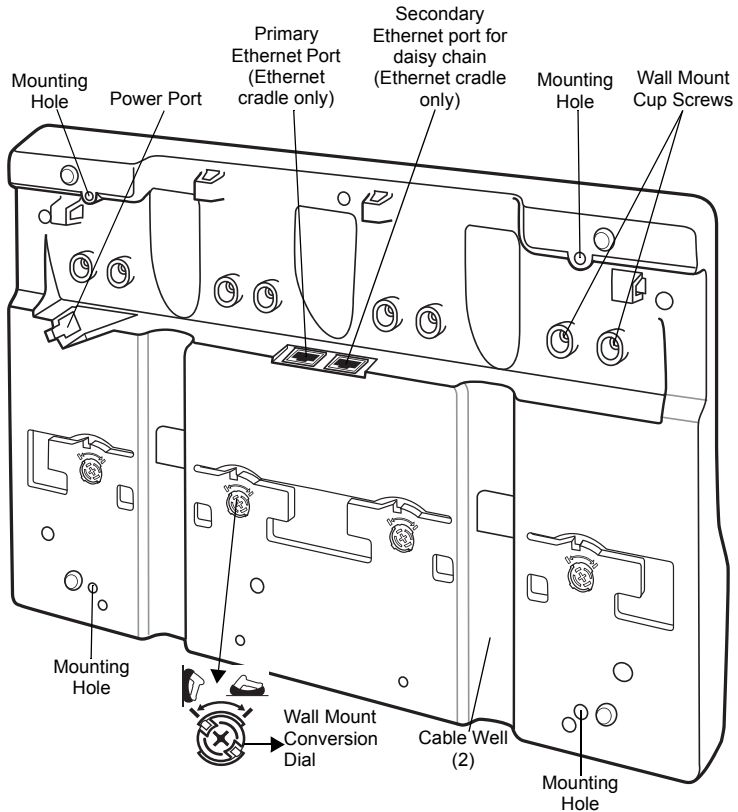
Mounting Templates

Refer to the *Integrator Guide* for mounting templates.

Features

Front



Back**Four Slot Charge Only Cradle Connections**

1. Connect the power supply to the cradle's power port.
2. If applicable, secure the cables into the cable well in the back of the cradle.
3. Connect the power supply to an AC power source with the appropriate AC line cord.

Ethernet Cradle Connections



IMPORTANT Connect the Ethernet cable and power supply (if necessary) in the following order to ensure proper operation of the scanner and cradle.

1. Insert the Ethernet cable into the cradle's primary Ethernet port.
2. Connect the other end of the Ethernet cable to the Ethernet hub.
3. Connect the power supply to the cradle's power port.
4. Connect the power supply to an AC power source with the appropriate AC line cord.
5. If desired, secure the cables into the cable wells in the back of the cradle.

Daisy Chaining

When daisy chaining Ethernet cradles:

1. Connect the power supply to the cradle's power port.
2. Connect the power supply to an AC power source with the appropriate AC line cord.
3. Insert the Ethernet cable into the primary Ethernet port of the first cradle in the daisy chain.
4. Connect the other end of the Ethernet cable to the Ethernet hub.
5. Insert an Ethernet cable into the first cradle's secondary port and connect the other end to the primary port of second cradle in the chain.
6. Insert an Ethernet cable into the second cradle's secondary port and connect the other end to the primary port of the third cradle in the daisy chain and continue until all cradles in the daisy chain are connected.
7. If desired, secure all cables into the cable wells in the back of each cradle.



NOTE Each cradle in the daisy chain requires its own power supply, or use cable p/n 25-121355-01R which is a DC split cable allowing one power supply to be used for two cradles.

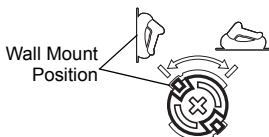
Locating the Scanner IP Address

To locate the scanner IP address, go to the *Home* screen on the scanner and select *Utilities > File Explorer > Windows > cmd.exe*. Press the *Enter* key to run *cmd.exe*, type *ipconfig* at the command prompt and press the *Enter* key.

Mounting the Cradle on a Wall

The four slot cradle ships from the factory with the four wall mount cups installed. To mount the cradle on a vertical surface:

1. Use a Phillips screwdriver to turn the wall mount conversion dial to point to the vertical cradle/scanner icon.



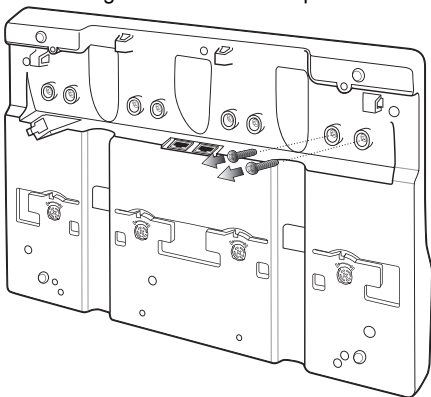
2. The wall mounting latches in the cradle protract to engage the depressions at the base of the scanner's handle.
3. Attach the interface and power cables to the appropriate ports (see the *Connections* sections [on page 5](#)).
4. Secure the cables into the cable well in the back of the cradle.
5. Position the cradle on the mounting surface, or use the template included in the *User Guide*.
6. Mark the surface through the four holes on the bottom of the cradle, or use the mounting template to determine the location of the screw holes.
7. Pre-drill holes to accommodate four screws.
8. Attach the cradle securely to the surface.
9. Place the scanner(s) and/or batteries in the cradle.

Setting up the Cradle for Desktop Use

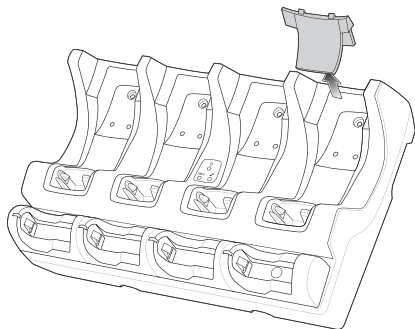
Remove the wall mount cups to use the four slot cradle on a desktop. Each wall mount cup is attached with two screws on the back of the cradle.

To mount the cradle on a horizontal surface:

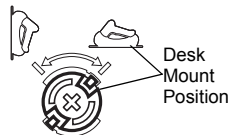
1. Use a Phillips screwdriver to remove the two screws on the back of the cradle attaching each wall mount cup.



2. Pull each wall mount cup out of the scanner well.



3. Use a Phillips screwdriver to turn the wall mount conversion dial to point to the horizontal cradle/scanner icon.



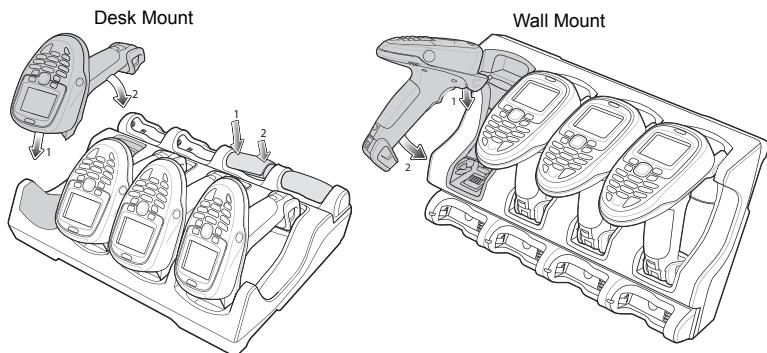
4. The wall mounting latches in the cradle truncate.
5. Attach the interface and power cables to the appropriate ports (see the *Connections* sections [on page 5](#)).
6. Secure the cables into the cable well in the back of the cradle.
7. Place the cradle on a flat surface.
Optional: The cradle can be attached securely to the surface using the wall mounting holes. See [Mounting the Cradle on a Wall on page 6](#) for details.
8. Place the scanner(s) and/or batteries in the cradle.

Inserting Scanners and Batteries in the Cradle

When inserting the scanner in the cradle, insert the scanner top first. Push the handle until it clicks into place, engaging the contacts in the cradle and scanner.

When inserting batteries in the cradle, align the connectors on the bottom of the battery with the battery charging connectors in the cradle. Push down on the top of the battery until it clicks into place, engaging the contacts in the cradle.

- ✓ **NOTE** When inserting the device in a wall mounted cradle, ensure the device's hook recesses engage the hooks on the wall mount adapter (when applicable).



Removing Scanners from Vertical Mounted Cradles

To remove scanners from a vertically mounted cradle, remove the bottom of the scanner first.

Sending Data to the Host Computer

MT2000 Series scanners include Ethernet cradle drivers that initiate automatically when you place the scanner in a properly connected four slot Ethernet cradle. The cradle receives data from the scanner and transmits it to the host computer via the Ethernet cable.

Prior to inserting the scanner in the cradle, it is recommended that you turn off the scanner's wi-fi radio to avoid interference. To turn off the radio, go to the *Home* screen on the scanner and select *Config > Wireless Companion > Disable Radio*.


Charging

To charge the battery in the scanner and/or a spare battery, ensure the correct power supply is connected then place the scanner/battery in the cradle (see [Inserting Scanners and Batteries in the Cradle](#)). Charging begins when the LED indicators, on the scanner and in the cradle's spare battery section, start flashing green. A complete charge of a fully discharged battery can take up to four hours.

Scanner LED Indicators

Scanner LED Indicators

Off	No power applied to scanner (battery discharged or removed); scanner is in low power and ready to scan; or, battery is fully charged and scanner is ready to scan.
Green Flash	Scanner is charging.
Red Flash	Charging problem or data transmission problem.

Cradle LED Indicators	
Solid Blue (Cradle Power LED)	Cradle is powered.
Flashing Green Battery LED	Flashes when spare battery charges.
Solid Green Battery LED	Spare battery is fully charged.
Fast Flashing Green Battery LED	Error condition; check with system administrator.
Ethernet Activity LEDs (Ethernet cradles only)	<p>Speed LED (100/10) - Primary Port Connection The cradle's amber Speed LED lights to indicate that the transfer rate is 100 Mbps. When it is not lit it indicates that the transfer rate is 10Mbps.</p> <p>Link LED () - Primary Port Connection The cradle's amber Link LED blinks to indicate activity, or stays lit to indicate that a link is established. When it is not lit it indicates there is no link.</p>

Troubleshooting

Symptom	Possible Cause	Action
Cradle not operating	Faulty power connection	Check the system power.
	Loose cable connection	Check for loose cable connections.
	Scanner not inserted correctly	Check that the scanner, and/or battery where applicable, is inserted properly in the cradle and/or scanner.
	Incorrect host connection	Check that the host settings are correct and the cradle is connected to the appropriate port on the host.
Cradle's blue LED does not light	No power to the cradle	Check 12V supply is present.
	Power fault (12V only)	Remove fault from contact area and recycle 12V power.

Ethernet Cradles Only

No communication with scanner	Network problem	Check that the network is working.
	Scanner(s) is not properly seated in the cradle	Check that the scanner(s) is properly seated in cradle; reseal if necessary.

Symptom	Possible Cause	Action
Wall Mounted Cradles Only		
Scanner falls off the cradle during vibrations	Cradle latches are open	Remove cradle from wall mount; check that the position of wall mount conversion dial is correct; reinstall cradle on the wall.
	Cradle has an incorrect adapter	Ensure wall mount adapter cup is installed; refer to the <i>User Guide</i> detailed instructions on replacing the desktop cup.

✓ **NOTE** Refer to the *User Guide* for detailed troubleshooting.

Maintenance

- Protect the cradle from temperature extremes.
- Do not store or use the cradle in any location that is extremely dusty, damp, or wet.
- Use a soft cloth to clean the cradle. If the surface of the cradle becomes soiled, clean it with a soft cloth moistened with a diluted window-cleaning solution.

Regulatory Information

This guide applies to Model Number: STB2000-C4. All Zebra devices are designed to be compliant with rules and regulations in locations they are sold and will be labeled as required.

Local language translations are available at the following web site:

<http://www.zebra.com/support>.

Any changes or modifications to Zebra equipment, not expressly approved by Zebra, could void the user's authority to operate the equipment.

For use only with Zebra approved and UL Listed mobile computers. Zebra approved and UL Listed accessories and/or Zebra approved and UL Listed/Recognized battery packs.



CAUTION Only use Zebra approved and UL Listed accessories, battery packs and battery chargers.

Do NOT attempt to charge damp/wet mobile computers or batteries. All components must be dry before connecting to an external power source.

Operation of the device without regulatory approval is illegal.

Health and Safety Recommendations

Ergonomic Recommendations



CAUTION In order to avoid or minimize the potential risk of ergonomic injury follow the recommendations below. Consult with your local Health & Safety Manager to ensure that you are adhering to your company's safety programs to prevent employee injury.

• Reduce or eliminate repetitive motion	• Provide adequate clearance
• Maintain a neutral postures	• Provide a suitable working environment
• Reduce or eliminate excessive force	• Improve work procedures
• Keep objects that are used frequently within easy reach	• Alternate hands whenever possible when performing a repetitive task.
• Perform tasks at correct heights	• Reduce or eliminate direct pressure
• Reduce or eliminate vibration	• Provide adjustable workstations

Potentially Hazardous Atmospheres - Fixed Installations

You are reminded of the need to observe restrictions on the use of radio devices in fuel depots, chemical plants etc. and areas where the air contains chemicals or particles (such as grain, dust, or metal powders).



Warnings for Use of Wireless Devices

Please observe all warning notices with regard to the usage of wireless devices.

Potentially Hazardous Atmospheres

You are reminded of the need to observe restrictions on the use of radio devices in fuel depots, chemical plants etc. and areas where the air contains chemicals or particles (such as grain, dust, or metal powders).



Safety in Hospitals

Wireless devices transmit radio frequency energy and may affect medical electrical equipment. Wireless devices should be switched off wherever you are requested to do so in hospitals, clinics or health care facilities. These requests are designed to prevent possible interference with sensitive medical equipment.

Wireless devices transmit radio frequency energy and may affect medical electrical equipment. When installed adjacent to other equipment, it is advised to verify that the adjacent equipment is not adversely affected.

Pacemakers

Pacemaker manufacturers recommended that a minimum of 15cm (6 inches) be maintained between a handheld wireless device and a pacemaker to avoid potential interference with the pacemaker. These recommendations are consistent with independent research and recommendations by Wireless Technology Research.

Persons with Pacemakers

- Should ALWAYS keep the device more than 15cm (6 inches) from their pacemaker when turned ON.
- Should not carry the device in a breast pocket.
- Should use the ear furthest from the pacemaker to minimise the potential for interference.
- If you have any reason to suspect that interference is taking place, turn OFF your device.

Other Medical Devices

Please consult your physician or the manufacturer of the medical device, to determine if the operation of your wireless product may interfere with the medical device.

Power Supply

Use only a LISTED approved, type no. 50-14000 or PWRS-14000 (12 Vdc and minimum 9 A), direct plug-in power supply (IEC 60950-1, SELV). Use of alternative power supply will invalidate any approvals given to this device and may be dangerous.

Batteries

Only use Zebra battery pack P/N 82-108066-01.

Charging

To charge the mobile device battery, the battery and charger temperatures must be between + 32 ° F and + 104 ° F (0 ° C and + 40 ° C).

Please follow the local regulations when disposing of re-chargeable batteries.

Taiwan - Recycling



「廢電池請回收」

EPA (Environmental Protection Administration) requires dry battery producing or importing firms in accordance with Article 15 of the Waste Disposal Act are required to indicate the recycling marks on the batteries used in sales, giveaway or promotion. Contact a qualified Taiwanese recycler for proper battery disposal.

Battery Information

Zebra rechargeable battery packs are designed and constructed to the highest standards within the industry.

However, there are limitations to how long a battery can operate or be stored before needing replacement. Many factors affect the actual life cycle of a battery pack, such as heat, cold, harsh environmental conditions and severe drops.

When batteries are stored over six (6) months, some irreversible deterioration in overall battery quality may occur. Store batteries at half of full charge in a dry, cool place, removed from the equipment to prevent loss of capacity, rusting of metallic parts and electrolyte leakage. When storing batteries for one year or longer, the charge level should be verified at least once a year and charged to half of full charge.

Replace the battery when a significant loss of run time is detected.

Standard warranty period for all Zebra batteries is ninety (90) days, regardless if the battery was purchased separately or included as part of the scanner.



CAUTION Risk of explosion if battery is replaced by an incorrect type.
Dispose of batteries according to instructions.

Battery Safety Guidelines

- Use only genuine Zebra battery packs.
- The area in which the units are charged should be clear of debris and combustible materials or chemicals. Particular care should be taken where the device is charged in a non commercial environment.
- Follow battery usage, storage, and charging guidelines found in the user's guide.
- Improper battery use may result in a fire, explosion, or other hazard.
- To charge the mobile device battery, the battery and charger temperatures must be between +32 ° F and +104 ° F (0 ° C and +40 ° C).
- Do not use incompatible batteries and chargers. Use of an incompatible battery or charger may present a risk of fire, explosion, leakage, or other hazard. If you have any questions about the compatibility of a battery or a charger, contact Zebra Support.
- For devices that utilize a USB port as a charging source, the device shall only be connected to products that bear the USB-IF logo or have completed the USB-IF compliance program.
- Do not disassemble or open, crush, bend or deform, puncture, or shred.
- Severe impact from dropping any battery-operated device on a hard surface could cause the battery to overheat.
- Do not short circuit a battery or allow metallic or conductive objects to contact the battery terminals.
- Do not modify or remanufacture, attempt to insert foreign objects into the battery, immerse or expose to water or other liquids, or expose to fire, explosion, or other hazard.
- Do not leave or store the equipment in or near areas that might get very hot, such as in a parked vehicle or near a radiator or other heat source. Do not place battery into a microwave oven or dryer.
- Battery usage by children should be supervised.

- Please follow local regulations to promptly dispose of used re-chargeable batteries.
- Do not dispose of batteries in fire.
- Seek medical advice immediately if a battery has been swallowed.
- In the event of a battery leak, do not allow the liquid to come in contact with the skin or eyes. If contact has been made, wash the affected area with large amounts of water and seek medical advice.
- If you suspect damage to your equipment or battery, contact Zebra Support to arrange for inspection.

Radio Frequency Interference Requirements-FCC



Note: This equipment has been tested and found to comply with the limits for a Class B digital device, pursuant to Part 15 of the FCC rules. These limits are designed to provide reasonable protection against harmful interference in a residential installation. This equipment generates, uses and can radiate radio frequency energy and, if not installed and used in accordance with the instructions, may cause harmful interference to radio communications. However there is no guarantee that interference will not occur in a particular installation. If this equipment does cause harmful interference to radio or television reception, which can be determined by turning the equipment off and on, the user is encouraged to try to correct the interference by one or more of the following measures:

- Reorient or relocate the receiving antenna
- Increase the separation between the equipment and receiver
- Connect the equipment into an outlet on a circuit different from that to which the receiver is connected
- Consult the dealer or an experienced radio/TV technician for help.

Radio Frequency Interference Requirements - Canada

This Class B digital apparatus complies with Canadian ICES-003.

Cet appareil numérique de la classe B est conforme à la norme NMB-003 du Canada.

CE Marking and European Economic Area (EEA)

Statement of Compliance

Zebra hereby declares that this device is in compliance with all applicable Directives, 2014/30/EU, 2014/35/EU and 2011/65/EU. The full text of the EU Declaration of Conformity is available at the following internet address: <http://www.zebra.com/doc>.

Japan (VCCI) - Voluntary Control Council for Interference

この装置は、情報処理装置等電波障害自主規制協議会（VCCI）の基準に基づくクラスB情報技術装置です。この装置は、家庭環境で使用することを目的としていますが、この装置がラジオやテレビジョン受信機に近接して使用されると、受信障害を引き起こすことがあります。取扱説明書に従って正しい取り扱いをして下さい。

This is a Class B product based on the standard of the Voluntary Control Council for Interference from Information Technology Equipment (VCCI). If this is used near a radio or television receiver in a domestic environment, it may cause radio interference. Install and use the equipment according to the instruction manual.

Eurasian Customs Union



Евразийский Таможенный Союз

Данный продукт соответствует требованиям знака ЕАС.



Waste Electrical and Electronic Equipment (WEEE)

English: For EU Customers: All products at the end of their life must be returned to Zebra for recycling. For information on how to return product, please go to: <http://www.zebra.com/weee>.

Bulgarian: За клиенти от ЕС: След края на полезния им живот всички продукти трябва да се връщат на Zebra за рециклиране. За информацията относно връщането на продукти, моля отидете на адрес: <http://www.zebra.com/weee>.

Čeština: Pro zákazníky z EU: Všechny produkty je nutné po skončení jejich životnosti vrátit společnosti Zebra k recyklaci. Informace o způsobu vrácení produktu najdete na webové stránce: <http://www.zebra.com/weee>.

Dansk: Til kunder i EU: Alle produkter skal returneres til Zebra til recirkulering, når de er udtjente. Læs oplysningerne om returnering af produkter på: <http://www.zebra.com/weee>.

Deutsch: Für Kunden innerhalb der EU: Alle Produkte müssen am Ende ihrer Lebensdauer zum Recycling an Zebra zurückgesandt werden. Informationen zur Rücksendung von Produkten finden Sie unter <http://www.zebra.com/weee>.

Ελληνικά: Για πελάτες στην Ε.Ε.: Όλα τα προϊόντα, στο τέλος της διάρκειας ζωής τους, πρέπει να επιστρέφονται στην Zebra για ανακύκλωση. Για περισσότερες πληροφορίες σχετικά με την επιστροφή ενός προϊόντος, επισκεφθείτε τη διεύθυνση <http://www.zebra.com/weee> στο Διαδίκτυο.

Eesti: EL klientidele: kõik tooted tuleb nende eluea lõppedes tagastada taaskasutamise eesmärgil Zebra'ile. Lisainformatsiooni saamiseks toote tagastamise kohta külastage palun aadressi: <http://www.zebra.com/weee>.

Español: Para clientes en la Unión Europea: todos los productos deberán entregarse a Zebra al final de su ciclo de vida para que sean reciclados. Si desea más información sobre cómo devolver un producto, visite: <http://www.zebra.com/weee>.

Français: Clients de l'Union Européenne : Tous les produits en fin de cycle de vie doivent être retournés à Zebra pour recyclage. Pour de plus amples informations sur le retour de produits, consultez : <http://www.zebra.com/weee>.

Italiano: per i clienti dell'UE: tutti i prodotti che sono giunti al termine del rispettivo ciclo di vita devono essere restituiti a Zebra al fine di consentire il riciclaggio. Per informazioni sulle modalità di restituzione, visitare il seguente sito Web: <http://www.zebra.com/weee>.

Latviešu: ES klientiem: visi produkti pēc to kalpošanas mūža beigām ir jānogādā atpakaļ Zebra atzītajai pārstrādei. Lai iegūtu informāciju par produktu nogādāšanu Zebra, lūdz, skatiet: <http://www.zebra.com/weee>.

Lietuvių: ES vartotojams: visi gaminiai, pasibaigus jų eksploatacijos laikui, turi būti grąžinti utilizuoti į kompaniją „Zebra“. Daugiau informacijos, kaip grąžinti gaminį, rasite: <http://www.zebra.com/weee>.

Magyar: Az EU-ban vásárlóknak: Minden tönkrement termékét a Zebra vállalatához kell eljuttatni újrahaznosítás céljából. A termék visszaküldetésének módjával kapcsolatos tudnivalókrét látogasson el a <http://www.zebra.com/weee> weboldalra.

Malti: Għal klijenti fl-UE: il-prodotti kollha li jkunni waslu fl-aħħar tal-hajja ta' l-użu tagħhom, iridu jiġu ritornati għand Zebra għar-riċiklaġġ. Għal aktar taġġir dwar kif għandek tirritorna l-prodott, jekk jogħġbok zur: <http://www.zebra.com/weee>.

Nederlands: Voor klanten in de EU: alle producten dienen aan het einde van hun levensduur naar Zebra te worden teruggezonden voor recycling. Raadpleeg <http://www.zebra.com/weee> voor meer informatie over het terugzenden van producten.

Polski: Klienci z obszaru Unii Europejskiej: Produkty wycofane z eksploatacji należy zwrócić do firmy Zebra w celu ich utylizacji. Informacje na temat zwrotu produktów znajduj' się na stronie internetowej <http://www.zebra.com/weee>.

Português: Para clientes da UE: todos os produtos no fim de vida devem ser devolvidos à Zebra para reciclagem. Para obter informações sobre como devolver o produto, visite: <http://www.zebra.com/weee>.

Românesc: Pentru clienții din UE: Toate produsele, la sfârșitul duratei lor de funcționare, trebuie returnate la Zebra pentru reciclare. Pentru informații despre returnarea produsului, accesați: <http://www.zebra.com/weee>.

Slovenčina: Pre zákazníkov z krajín EU: Všetky výrobky musia byť po uplynutí doby ich životnosti vrátené spoločnosti Zebra na recykláciu. Bližšie informácie o vrátení výrobkov nájdete na: <http://www.zebra.com/weee>.

Slovenski: Za kupce v EU: vsi izdelki se morajo po poteku življenjske dobe vrneti podjetju Zebra za reciklažo. Za informacije o vrailu izdelka obišeite: <http://www.zebra.com/weee>.

Suomi: Asiakaat Euroopan unionin alueella: Kaikki tuotteet on palautettava kierrätettäväksi Zebra-yhtiöön, kun tuotetta ei enää käytetä. Lisätietoja tuotteen palauttamisesta on osoitteessa <http://www.zebra.com/weee>.

Svenska: För kunder inom EU: Alla produkter som uppnått sin livslängd måste returneras till Zebra för återvinning. Information om hur du returnerar produkten finns på <http://www.zebra.com/weee>.

Türkçe: AB Müşterileri için: Kullanım süresi dolan tüm ürünler geri dönüştürme için Zebra'ya iade edilmelidir. Ürünlerin nasıl iade edildiği hakkında bilgi için lütfen şu adresi ziyaret edin: <http://www.zebra.com/weee>.

Hrvatski: Za kupce u Europskoj uniji: Svi se proizvodi po isteku vijeka trajanja moraju vratiti tvrtki Zebra na recikliranje. Informacije o načinu vraćanja proizvoda potražite na web-stranici: www.zebra.com/weee.

Service Information

If you have a problem with your equipment, contact Zebra Support for your region. Contact information is available at: <http://ww.zebra.com/support>.

If you purchased your Zebra business product from a Zebra business partner, contact that business partner for support.

Before contacting, have the model number and serial number at hand. If your problem cannot be solved by Zebra Support, you may need to return your equipment for servicing and will be given specific directions.

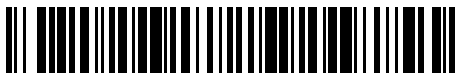
Zebra is not responsible for any damages incurred during shipment if the approved shipping container is not used. Shipping the units improperly can possibly void the warranty.

For the latest version of this guide go to: <http://ww.zebra.com/support>.



Zebra Technologies Corporation
Lincolnshire, IL U.S.A.
<http://www.zebra.com>

© 2017 ZIH Corp and/or its affiliates. All rights reserved. ZEBRA and the stylized Zebra head are trademarks of ZIH Corp, registered in many jurisdictions worldwide. All other trademarks are the property of their respective owners.



72-120800-04 - April 2017 Revision A

