

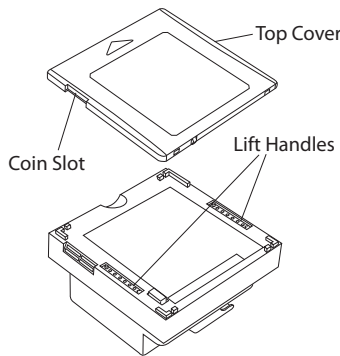
2D Upgrade Kit

Magellan™ 3200VSi / 3300HSi

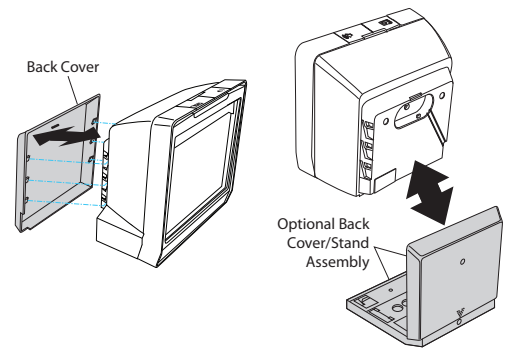
Follow these instructions to upload a 2D license file to either a Magellan 3200VSi or 3300HSi model scanner. This will upgrade the scanner to read 2D bar codes in addition to the already available symbologies. Read all of these instructions before starting.

1. If you have not already done so, remove the scanner from its installed position to allow access to the microSD card slot.

For the **3300HSi** scanner, use a coin or similar blunt object to lever the top cover from the scanner, then grasp the lift handles and carefully lift the unit from the counter.



For the **3200VSi** model, separate the scanner from its back cover.



2. Ensure there are no other cables attached to the scanner, then apply power and wait for the reset beep.
3. Lift and rotate the rubber cover to access the card slot (see the illustration on the next page), then carefully insert the 2D upgrade microSD card into the slot until it "clicks" into place. If installed properly, you should immediately hear a rapid sequence of tones to indicate the upgrade process has started.



CAUTION

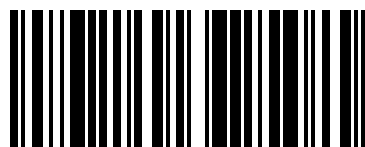
The microSD card slot is spring loaded. Keep your finger lightly in place atop the card until you are sure it is fully seated in place.

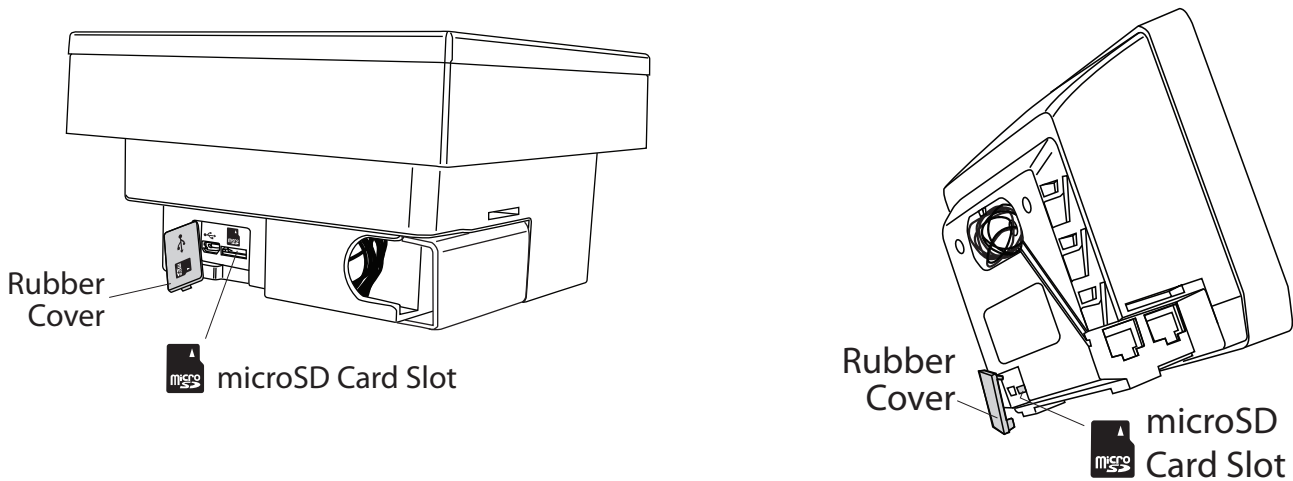
Use your finger or thumbnail to push in on the top edge of the card to be slightly below flush with the scanner enclosure when inserting or removing the card. This will engage/disengage the spring mechanism.

Never insert tools or other foreign objects into the microSD card slot.

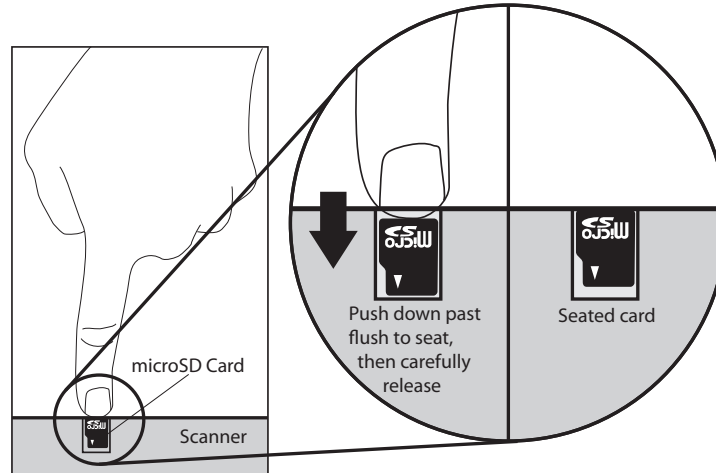
Improper insertion of the microSD card can result in the premature exhaustion of 2D upgrade licenses.

If you do not hear audible tones upon microSD card full insertion, the card does not contain any 2D upgrade licenses.





4. Wait for five seconds after hearing the audio indication (a rapid sequence of tones indicates the upgrade has started) before proceeding. This will give the scanner time to complete the upload.
5. Push in gently using your finger or thumbnail to disengage and remove the microSD card. Remember to keep your finger in place atop the card's edge to avoid accidentally "launching" the card from the spring-loaded slot.
6. Reconnect all cables which were disconnected earlier.



7. Your scanner is now ready to scan PDF 417 and Datamatrix bar codes. All other 2D symbologies will need to be enabled using programming bar codes which can be found in the Product Reference Guide (PRG) or by using the Magellan On Screen Programming (OSP) utility available from the website at www.scanning.datalogic.com.
8. Test the scanner's new 2D reading ability by scanning sample 2D bar codes of the type(s) you need to read. Once you have verified the scanner's new capability, re-install the unit in its original position.