

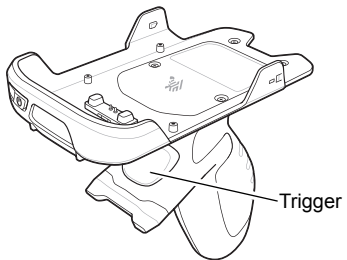


## Features

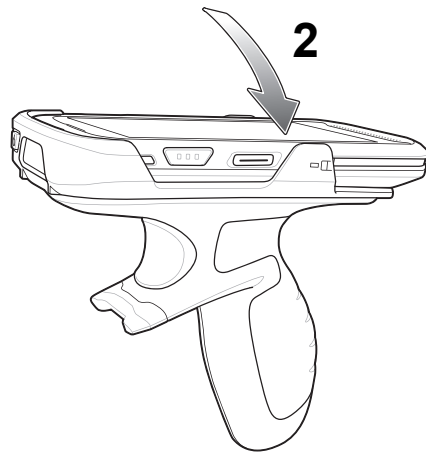
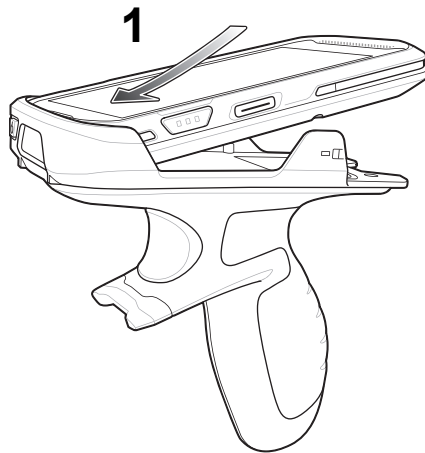
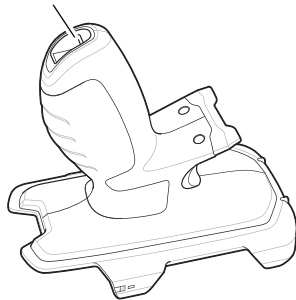
## Device Installation

# TC2X

## Trigger Handle Installation Guide



Lanyard  
Mount



PAP

Printed in China

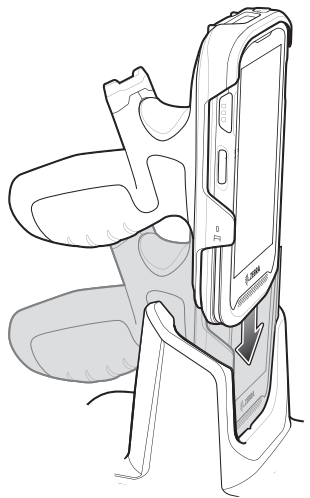


MN-003119-01 Rev. A - 8/17

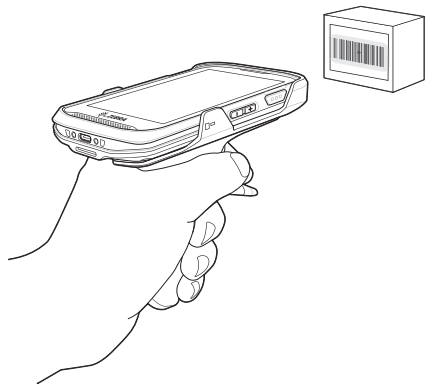
Zebra Technologies | 3 Overlook Point | Lincolnshire, IL 60069 USA  
[www.zebra.com](http://www.zebra.com)

©2017 ZIH Corp and/or its affiliates. All rights reserved. ZEBRA and the stylized Zebra head are trademarks of ZIH Corp, registered in many jurisdictions worldwide. All other trademarks are the property of their respective owners.

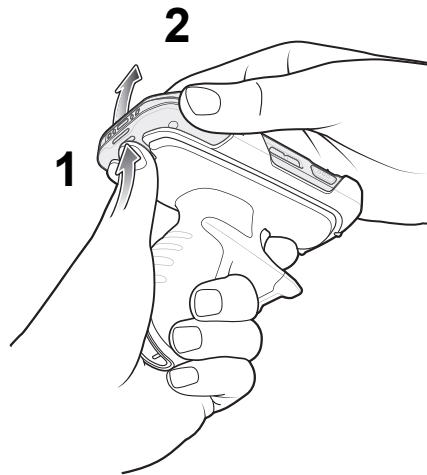
## Charging



## Scanning



## Device Removal



## Optional Lanyard Installation

