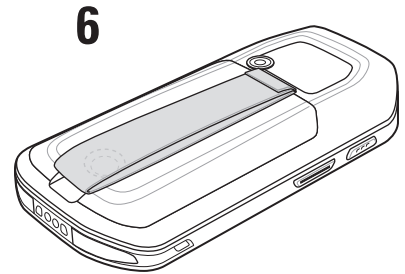
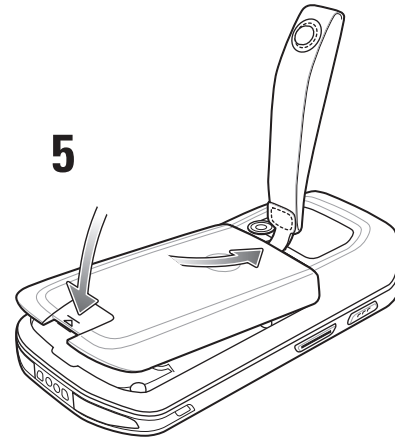
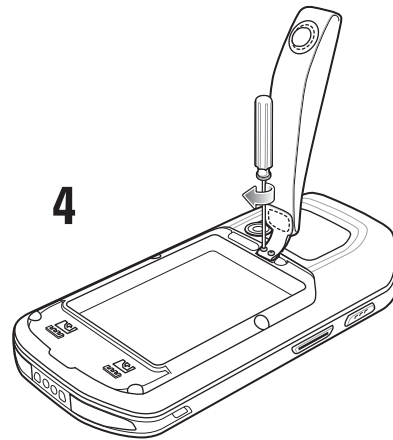
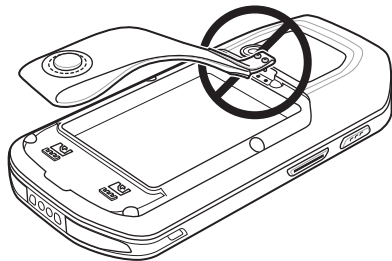
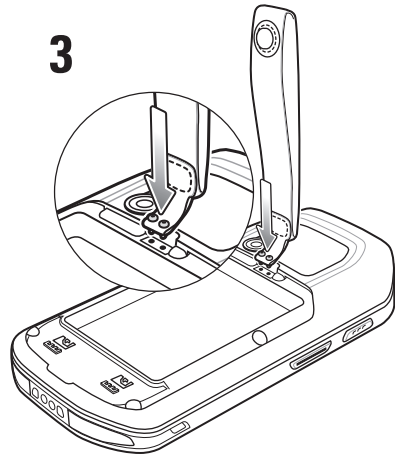
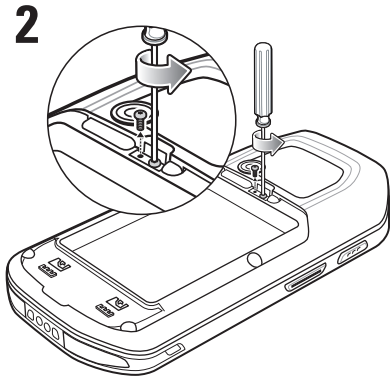
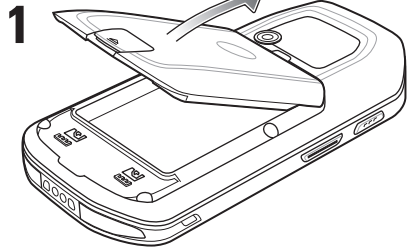


# FINGER STRAP INSTALLATION



72-170693-02 Rev. A - February 2015

Zebra Technologies Corporation  
Lincolnshire, IL U.S.A.  
<http://www.zebra.com>

