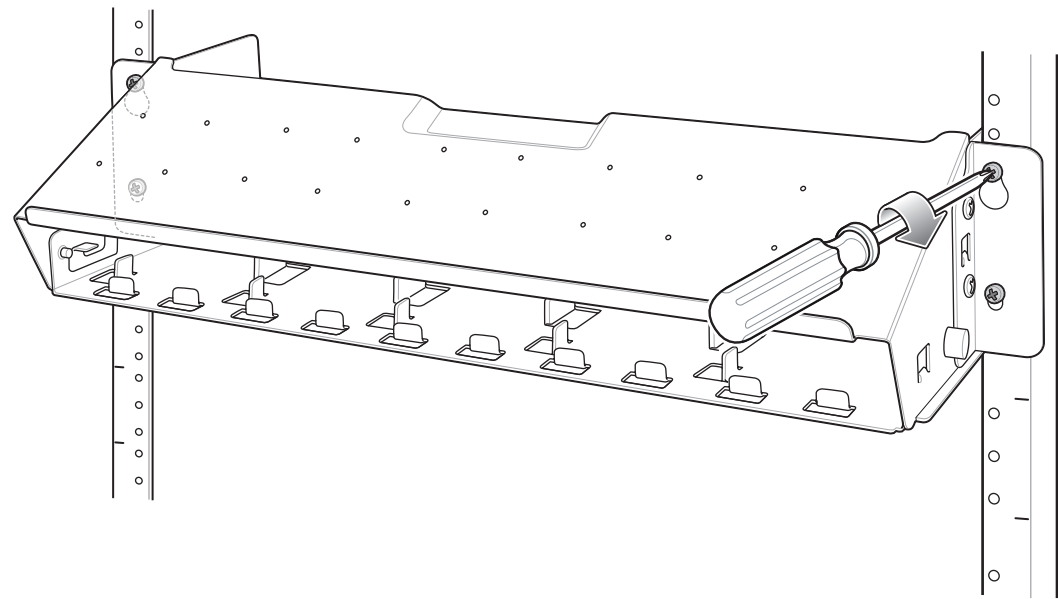


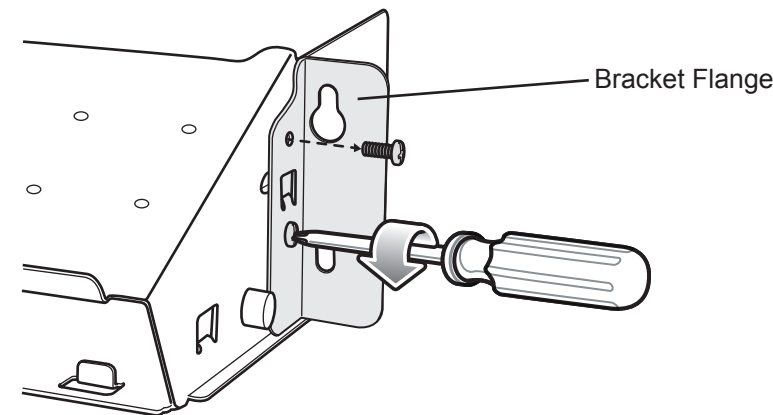
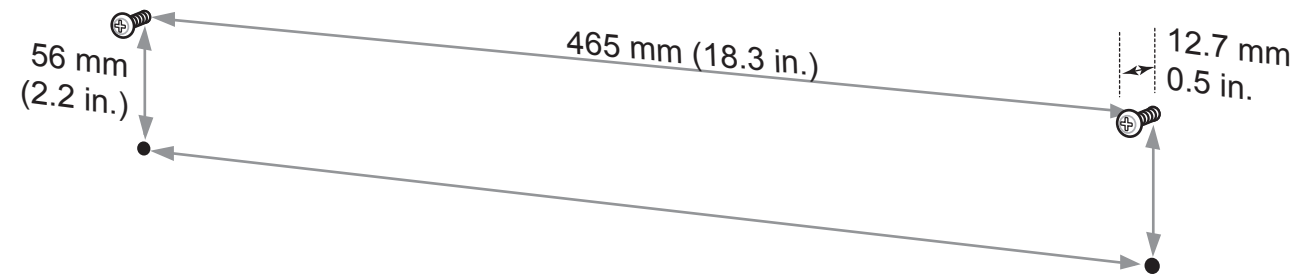
MOUNTING BRACKET INSTALLATION GUIDE

RACK MOUNTING

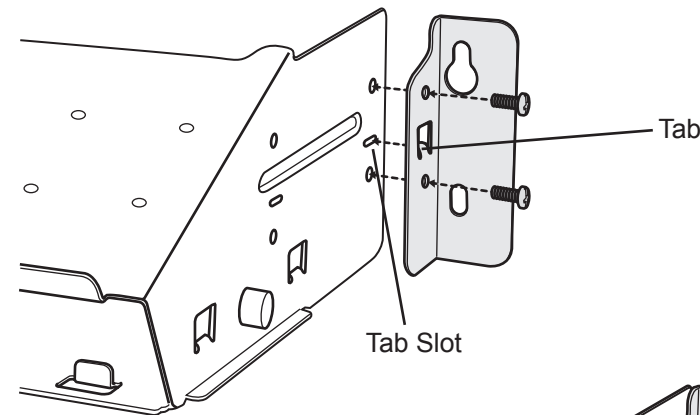


1. Align mounting holes on the bracket with screw holes on the rack.
2. Secure the bracket to the rack using rack screws.

1. Drill four holes as shown below.
2. If required, install proper anchors.
3. Install top two screws into the wall.
4. The screw heads should protrude 12.7 mm (0.5 in.) from the wall.

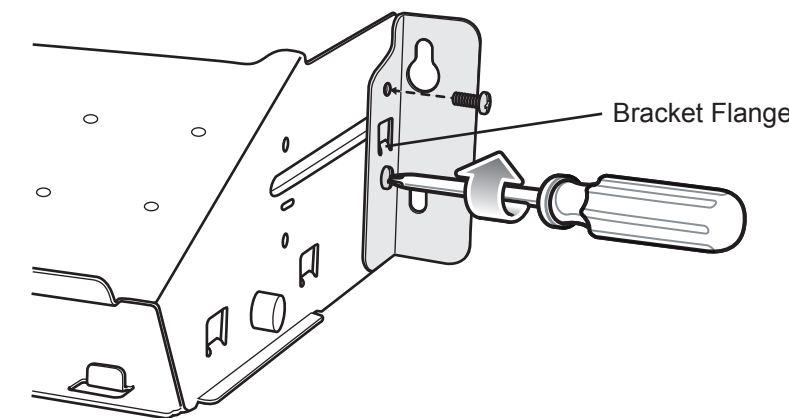


Bracket Flange



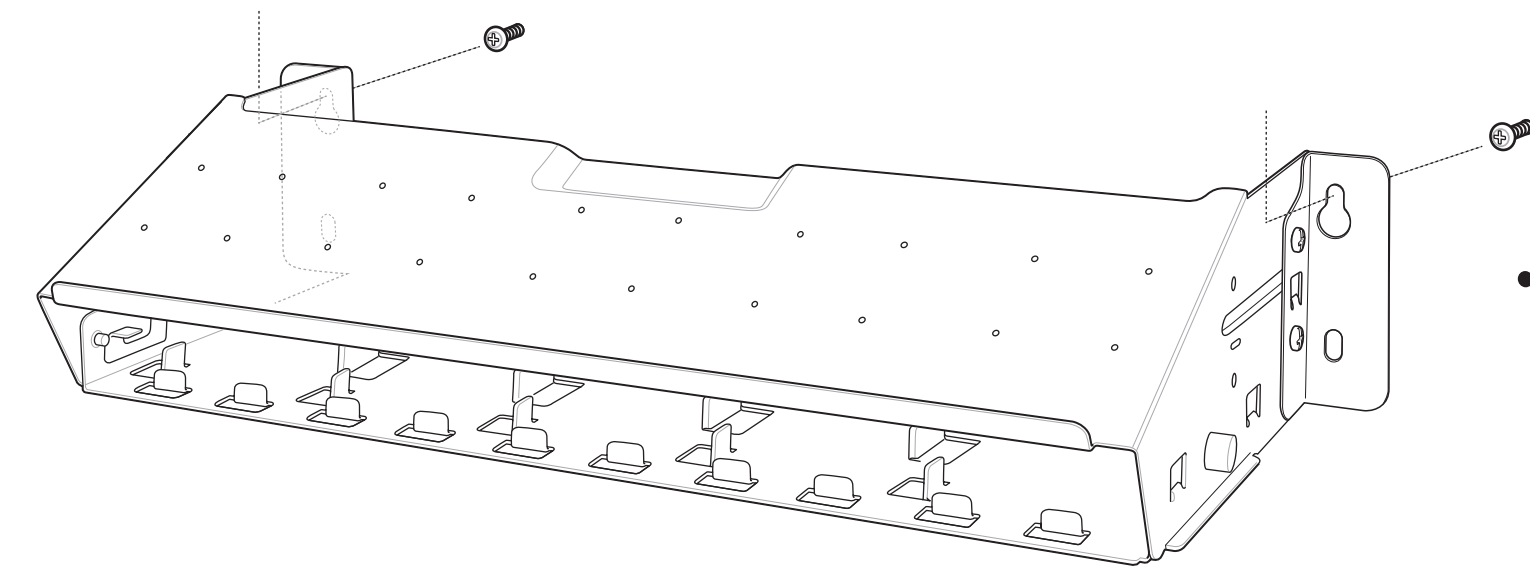
Tab

Tab Slot

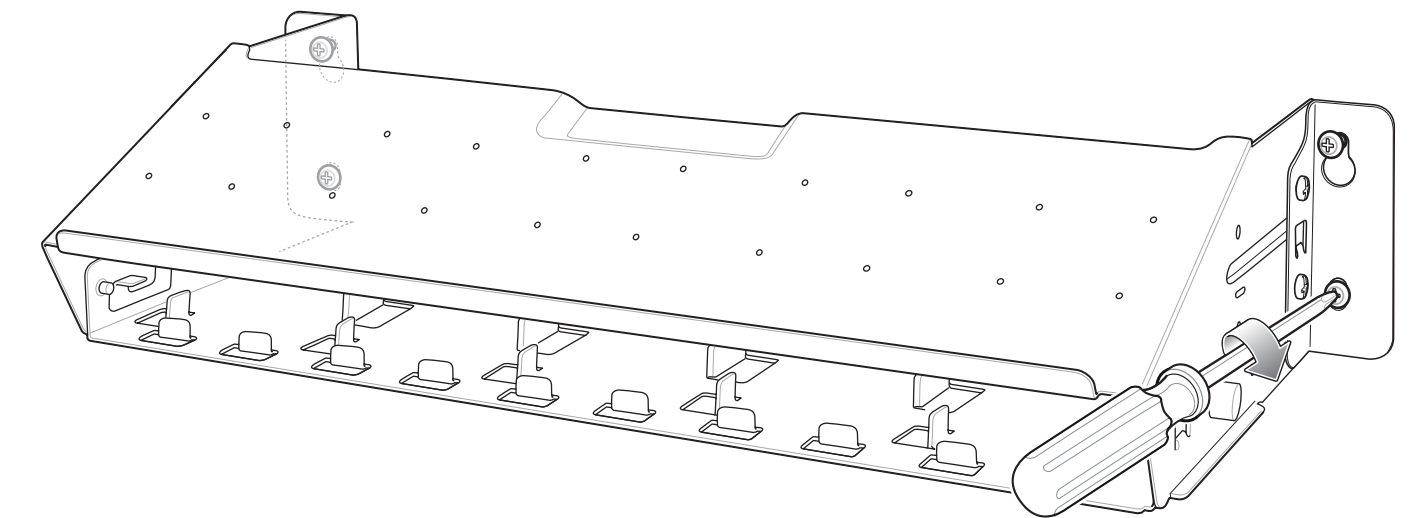


Bracket Flange

5. Remove the two screws securing the bracket flange to the bracket.
6. Align the flange with the screw holes at the back of the bracket.
7. Ensure that the tab goes into the tab slot.
8. Secure the flange to the bracket using the two screws.
9. Repeat for the other side of the bracket.



10. Align the mounting bracket's top two mounting holes with the screws.
11. Place mounting bracket on screws.
12. Tighten the two screws to the wall securing the bracket.
13. Install and secure two screws at the bottom of the bracket.



14. Install and secure two screws at the bottom of the bracket.

WALL MOUNTING

CAUTION:

Use mounting hardware (screws and/or anchors) appropriate for the type of wall you are mounting the bracket onto. The Wall Mount Bracket mounting slots dimensions are 5 mm (0.2 in.). Fasteners must be able to hold a minimum of 15 Kg (33 lbs.)

For proper installation consult a professional installer. Failure to install the Mounting Bracket properly can possibly result in damage to the hardware.

Zebra reserves the right to make changes to any product to improve reliability, function, or design. Zebra does not assume any product liability arising out of, or in connection with, the application or use of any product, circuit, or application described herein. No license is granted, either expressly or by implication, estoppel, or otherwise under any patent right or patent, covering or relating to any combination, system, apparatus, machine, material, method, or process in which Zebra products might be used. An implied license exists only for equipment, circuits, and subsystems contained in Zebra products.



Zebra Technologies Corporation
Lincolnshire, IL U.S.A.
<http://www.zebra.com>

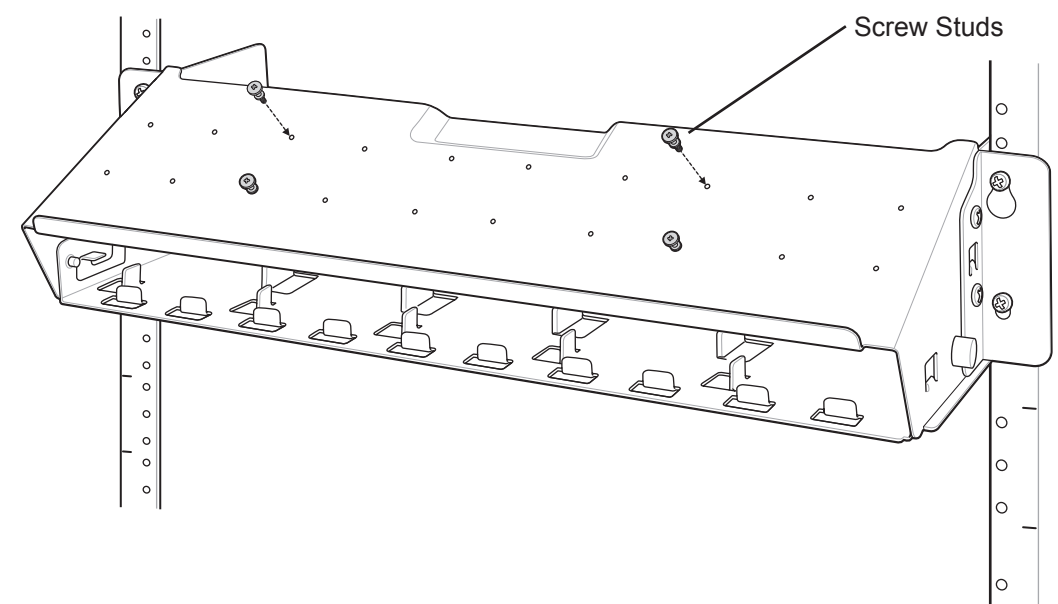
Zebra and the Zebra head graphic are registered trademarks of ZIH Corp. The Symbol logo is a registered trademark of Symbol Technologies, Inc., a Zebra Technologies company.
© 2015 Symbol Technologies, Inc.



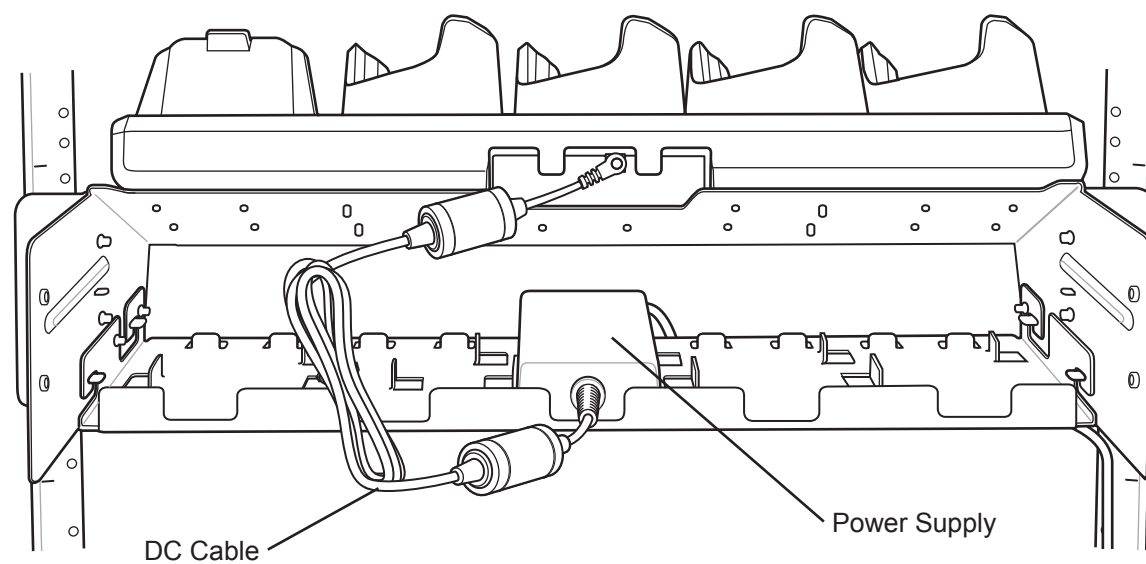
MN00005A02 Revision A — February 2015



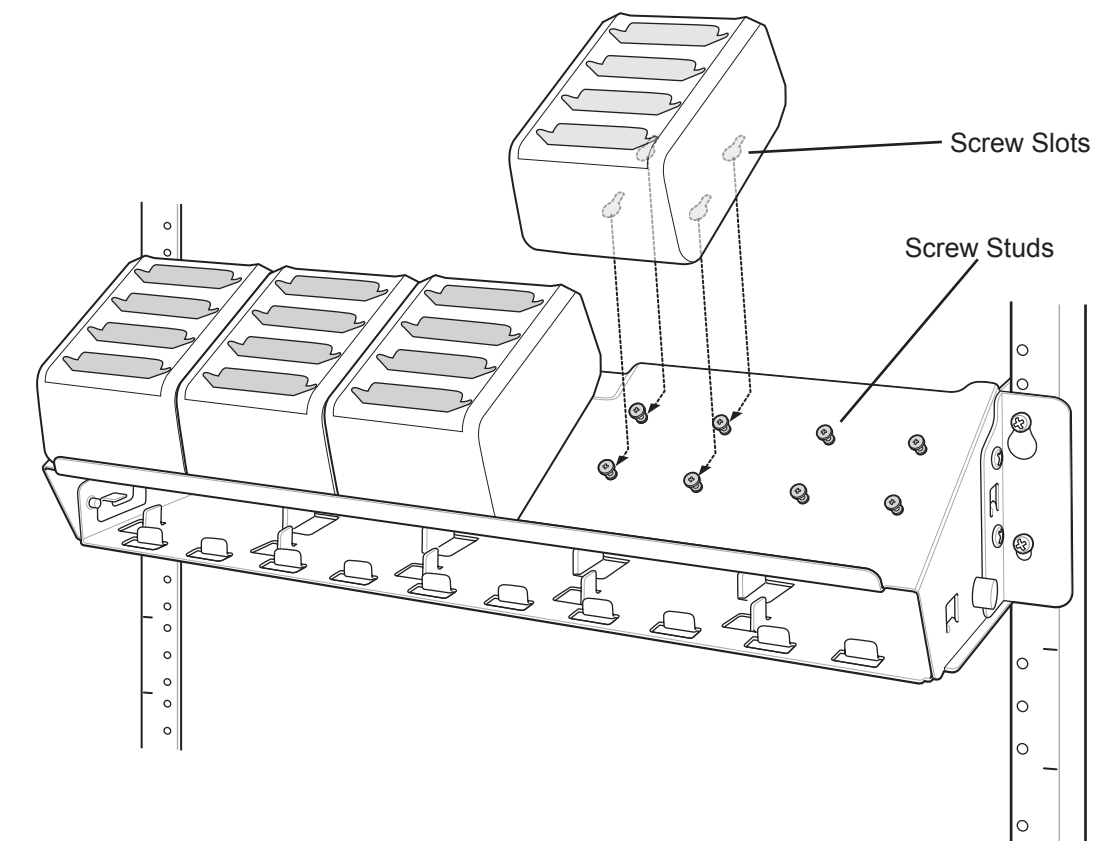
MOUNTING THE FIVE SLOT UNIVERSAL CHARGE ONLY CRADLE



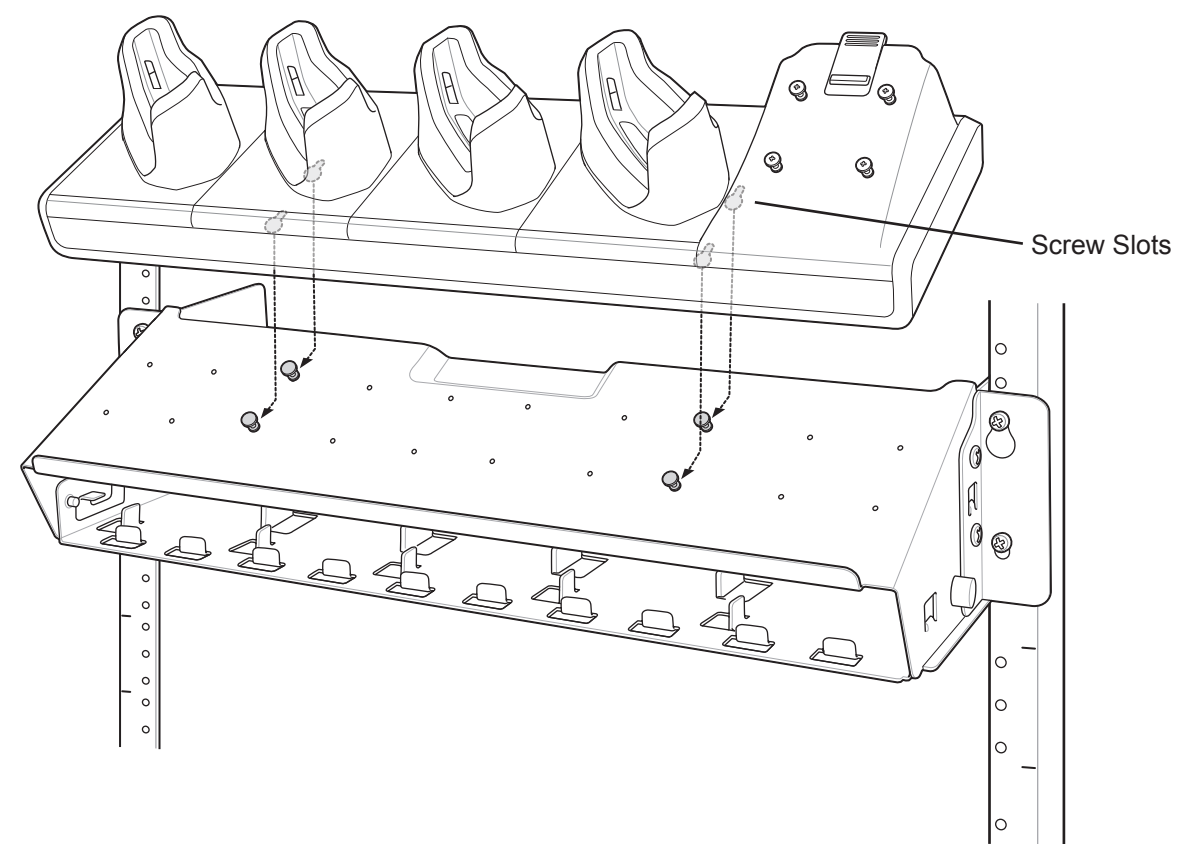
1. Install four screw studs into the threaded holes as shown.
2. Secure the screw studs using a Phillips screwdriver.



5. Place the power supply into the shelf under the bracket.
6. Plug the AC Line Cord into the power supply.
7. Plug the DC cable into the power input of the cradle.
8. Use tie wraps to secure the cables to the bracket, as required.

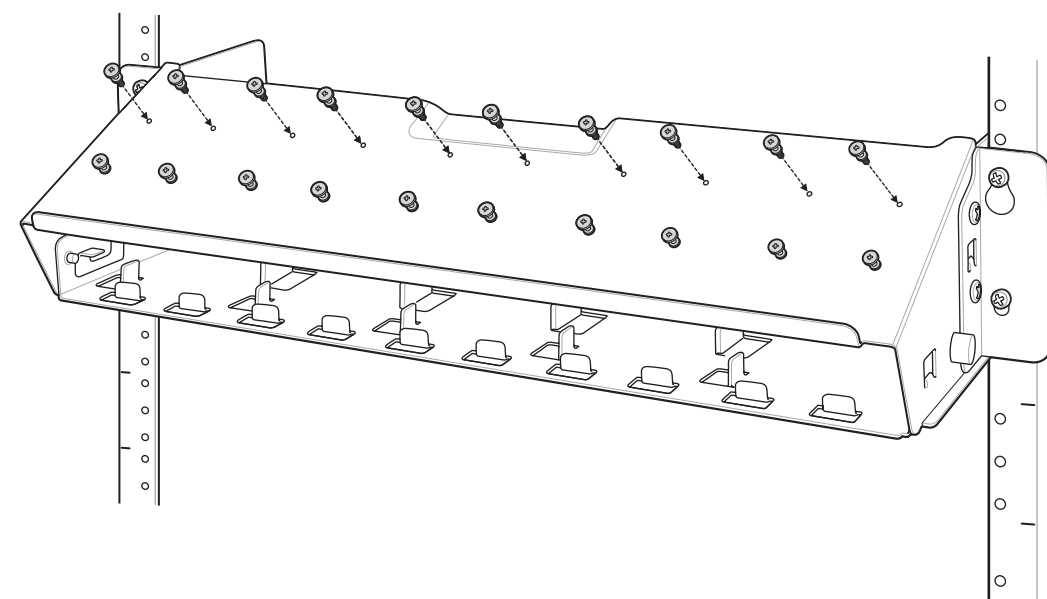


3. Align the screw slots on the bottom of the chargers with the four Screw Studs on the bracket.
4. Place the charger onto the studs and slide down.

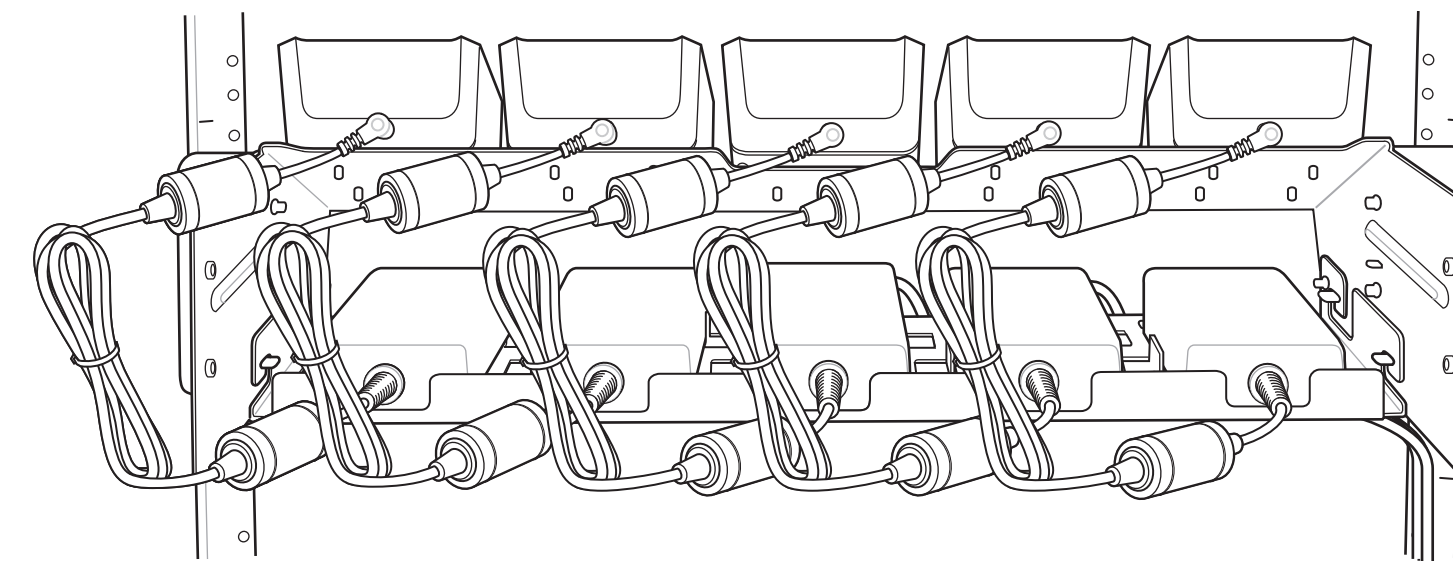


3. Align the screw slots on the bottom of the cradle with the four Screw Studs on the bracket.
4. Place the cradle onto the studs and slide down.

MOUNTING 5 FOUR SLOT BATTERY CHARGERS



1. Install twenty screw studs into the threaded holes as shown.
2. Secure the screw studs using a Phillips screwdriver.



5. Place each power supply into the shelf under the bracket.
6. Plug an AC Line Cord into each power supply.
7. Plug the DC cable into the power input of each charger.
8. Use tie wraps to secure the cables to the bracket, as required.