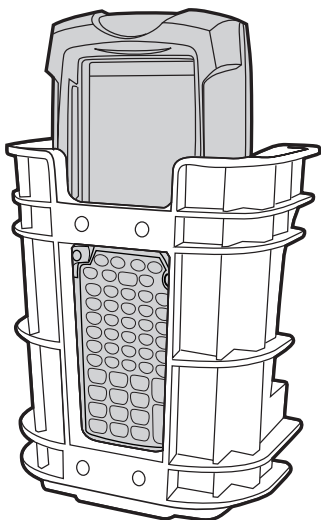


Fork Truck Holster

For MC9000 Mobile Computers

Quick Reference Guide



© **2014 Symbol Technologies, Inc.**

Zebra reserves the right to make changes to any product to improve reliability, function, or design.

Zebra does not assume any product liability arising out of, or in connection with, the application or use of any product, circuit, or application described herein.

No license is granted, either expressly or by implication, estoppel, or otherwise under any patent right or patent, covering or relating to any combination, system, apparatus, machine, material, method, or process in which Zebra products might be used. An implied license only exists for equipment, circuits, and subsystems contained in Zebra products.

Zebra and the Zebra head graphic are registered trademarks of ZIH Corp. The Symbol logo is a registered trademark of Symbol Technologies, Inc., a Zebra Technologies company.

Zebra Technologies Corporation

Lincolnshire, IL USA

<http://www.zebra.com>

Introduction

The MC9000 Fork Truck Holster and Protective Boot enable mounting the MC9000 Series Mobile Computer to a horizontal or vertical surface.

About This Guide

This Quick Reference Guide describes procedures for the following:

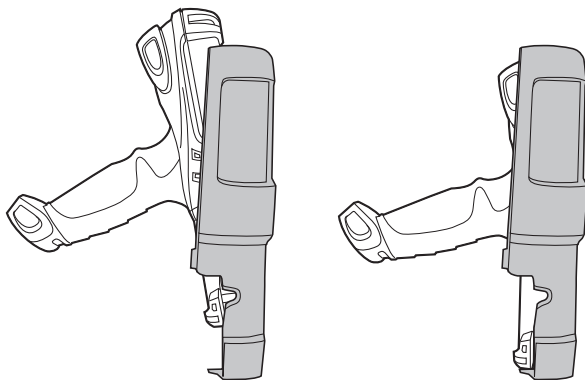
- [Installing the Protective Boot](#)
- [Inserting the MC9000 into a Cradle on page 2](#)
- [Installing the Fork Truck Holster on page 3](#)
- [Inserting the MC9000 into the Holster on page 4.](#)

For detailed information on the MC9000 series mobile computer, see the *Quick Reference Guide* or *Product Reference Guide* for the mobile computer.

Installing the Protective Boot

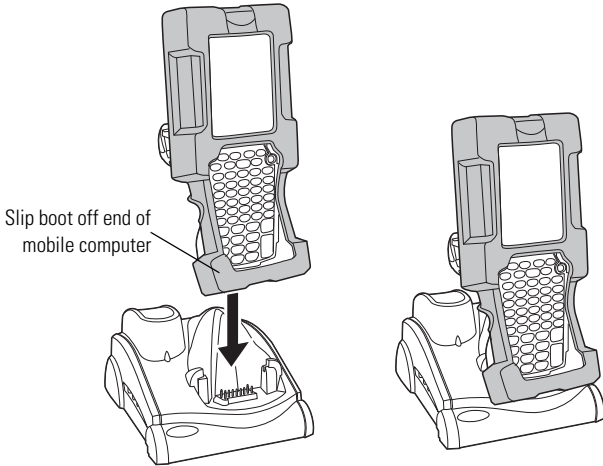
To install the protective boot onto the MC9000 Mobile Computer:

1. Insert the bottom (keypad end) of the mobile computer into the bottom end of the boot.
2. Fit the top of the boot over the top of the mobile computer.



Inserting the MC9000 into a Cradle

To insert the MC9000 into a cradle while the boot is on, slip the boot off the bottom end of the mobile computer, and insert the mobile computer into the cradle.

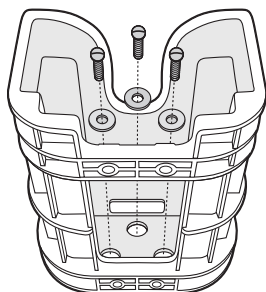


Installing the Fork Truck Holster

The holster can be installed on either a horizontal or vertical surface.

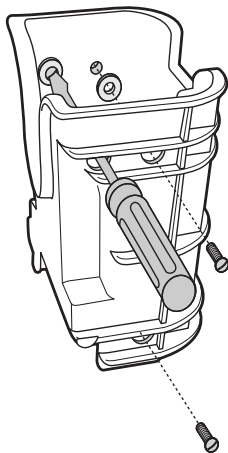
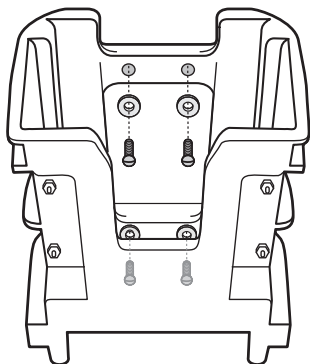
Installing on a Horizontal Surface

To install the holster on a flat horizontal surface, place the holster on the surface with the handle opening facing out. Using washers, insert three pan head screws or slotted hex head screws through the three holes on the bottom of the holster, and into the surface.



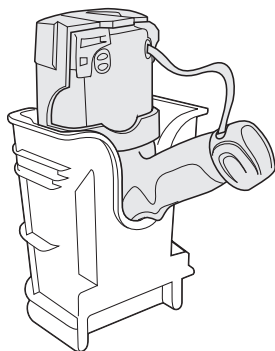
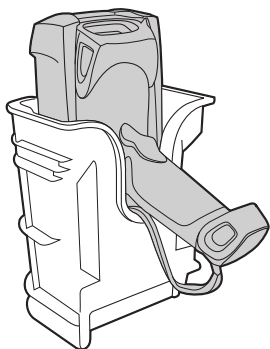
Installing on a Vertical Surface

To install the holster on a flat vertical surface, place either the back of the holster against the surface, or the right side of the holster against the surface, with the handle opening facing out. Using washers, insert four pan head screws or slotted hex head screws through the four holes on the back or right side of the holster, and into the surface.

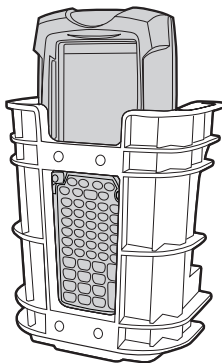
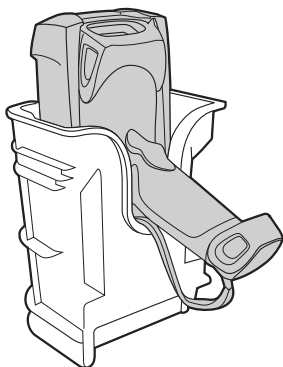


Inserting the MC9000 into the Holster

Insert either the top or bottom of the MC9000 into the holster.



Insert the bottom to have access to the screen and keypad.



Warranty

For the complete Zebra hardware product warranty statement, go to:
<http://www.motorolasolutions.com/warranty>.

Service Information

Before you use the unit, it must be configured to operate in your facility's network and run your applications.

If you have a problem running your unit or using your equipment, contact your facility's Technical or Systems Support. If there is a problem with the equipment, they will contact the Zebra Support Center: <http://www.motorolasolutions.com/support>.

For the latest version of this guide go to: <http://www.motorolasolutions.com/support>.



72-63296-02
Revision A - December 2014

Zebra Technologies Corporation
Lincolshire, IL USA

<http://www.zebra.com>