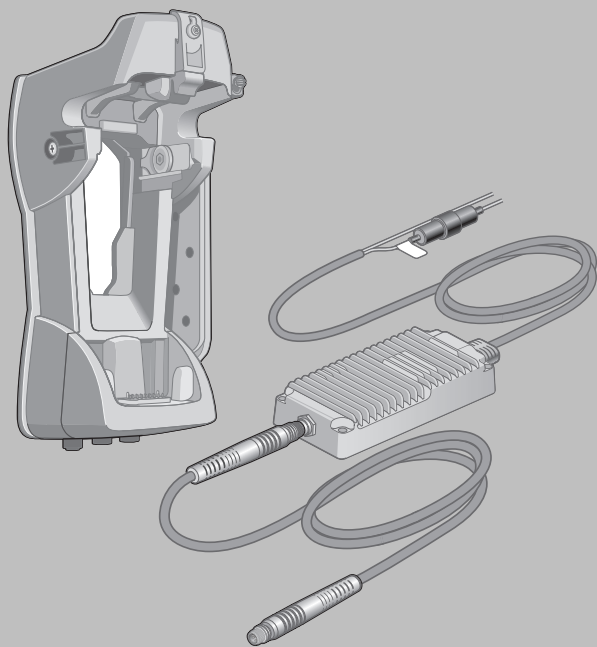


MC9XXX SERIES FORK LIFT CRADLE AND POWER CONVERTER INSTALLATION GUIDE



Zebra reserves the right to make changes to any product to improve reliability, function, or design.

Zebra does not assume any product liability arising out of, or in connection with, the application or use of any product, circuit, or application described herein.

No license is granted, either expressly or by implication, estoppel, or otherwise under any patent right or patent, covering or relating to any combination, system, apparatus, machine, material, method, or process in which Zebra products might be used. An implied license exists only for equipment, circuits, and subsystems contained in Zebra products.

Warranty

For the complete Zebra hardware product warranty statement, go to:
<http://www.zebra.com/warranty>.

Introduction

This *Installation Guide* describes how to install the MC9XXX series fork lift cradle and power converter.

About the Cradle

The cradle (Model: FLC9000-1001R) can be used with or without the power converter. When the cradle is installed with the power converter, the cradle:

- holds a MC9XXX mobile computer securely in place.
- provides power for operating the mobile computer.
- provides power for charging a docked MC9XXX mobile computer.
- provides one serial and one USB port for data communication between a docked mobile computer and an external device (e.g., a scanner/printer).
- provides power to each port (500 mA at 5 VDC). Both ports can be used simultaneously.

When installed without the power converter, the cradle holds a MC9XXX mobile computer securely in place.

- ✓ **NOTE** The MC9XXX series fork lift cradle supports the MC9XXX-G and MC9XXX-K configurations. It does not support the MC9XXX-S configuration.

About the Power Converter

The power converter conditions the fork lift battery power for the fork lift cradle. There is a high-voltage and low-voltage version of the power converter. Make sure that you have ordered the correct converter.

- Low Voltage (Model: 50-14000-252R) — For nominal voltage input of 12V and 24V systems.
- High Voltage (Model: 50-14000-251R) — For nominal voltage input of 36V, 48V, and 60V systems.

About This Guide

This guide contains the following:

- *Unpacking on page 5*
- *Safety Information on page 5*
- *Features on page 6*
- *Installation on page 8*
 - *Overview on page 8*
 - *Step 1. Plan the Installation and Obtain Hardware on page 9*
 - *Step 2. Install the Fork Lift Cradle on page 12*
 - *Step 3. Install the Power Converter (If Required) on page 16*
 - *Step 4. Install the Mobile Computer and Connections on page 21*
- *Supported Scanners on page 23*
- *Maintenance on page 24*
- *Troubleshooting on page 24*
- *Electrical Specifications on page 25*
- *Pin-Out Diagrams on page 26*
- *Regulatory Information on page 26*
- *Waste Electrical and Electronic Equipment (WEEE) on page 29*

For more information refer to the *MC909X Mobile Computer User Guide* (p/n 72E-72215-xx), *MC909X Mobile Computer Integrator Guide* (p/n 72E-72216-xx), *MC9190-G Mobile Computer User Guide* (p/n 72E-140936-xx) and *MC9190-G Mobile Computer Integrator Guide* (p/n 72E-140937-xx) available at <http://www.zebra.com/support>.

Unpacking

The following items are contained in the cradle box:

- MC9XXX series fork lift cradle
- Stylus
- Locking mechanism (available for use, but not required)
- This *Installation Guide*

The following items are contained in the power converter box:

- Power converter
- This *Installation Guide*

The following items are contained in the cable box:

- Power converter to Fork Lift Cradle power cable (and fuse in fuse mount)

Safety Information

Before using this product, read and understand all safety instructions in this guide.

**WARNING!**

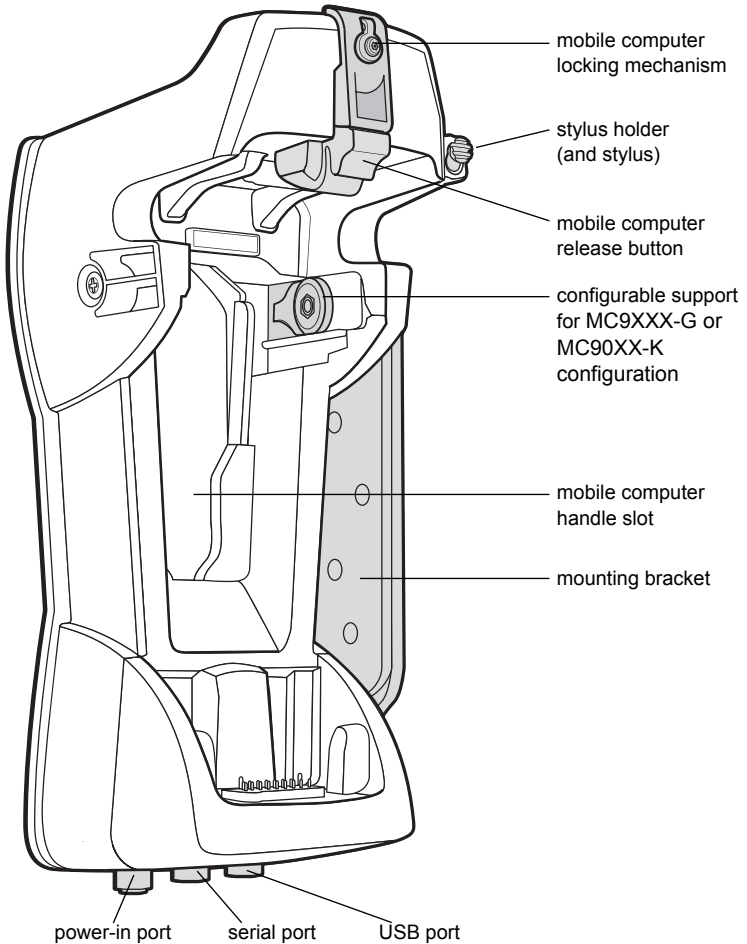
A qualified engineer must perform the installation in a fork lift. Improper installation can injure the operator or damage the fork lift cradle, power converter, and/or MC9XXX series mobile computer.

**WARNING!**

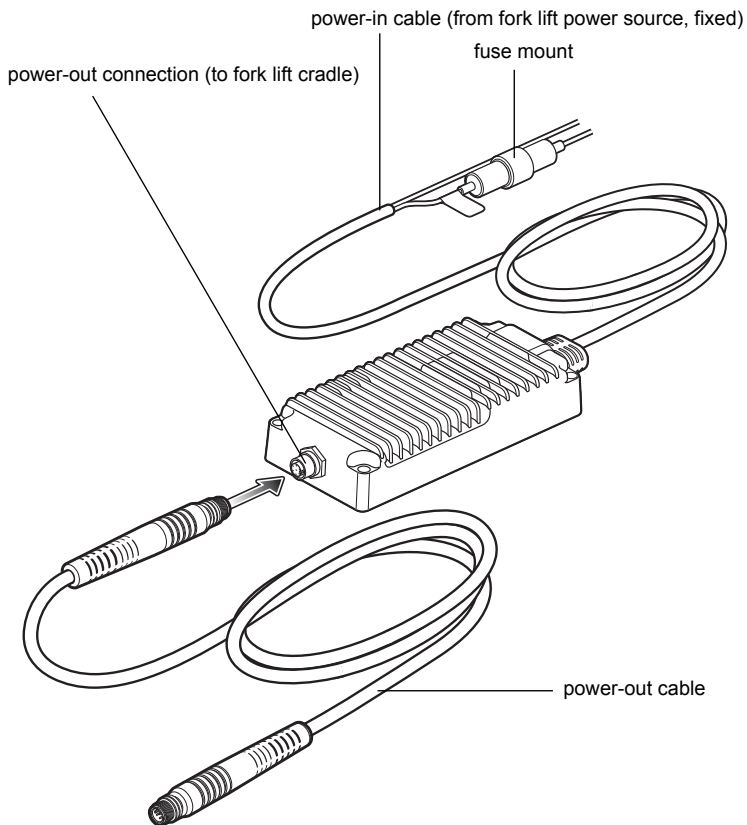
This equipment is not to be used in hazardous locations as defined in the NEC, CEC or other country specific electric codes.

Features

Fork Lift Cradle



Power Converter and Cable



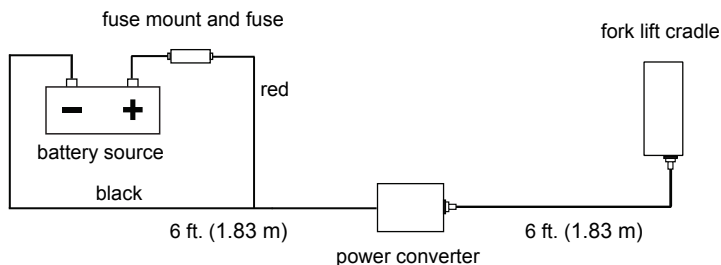
Installation



WARNING! A qualified engineer must perform the installation in a fork lift. Improper installation can injure the operator or damage the fork lift cradle, power converter, and/or MC9XXX series mobile computer.

Overview

The fork lift cradle is installed in the cab of the fork lift. The power converter is installed in an applicable location. A six foot (1.83 meter) cable connects the fork lift cradle to the power converter. The power converter connects to the fork lift's power source directly using its six foot (1.83 meter) cable.



Representative only. Drawing not to scale.

The high-level installation steps are as follows:

- Step 1. Plan the Installation and Obtain Hardware
- Step 2. Install the Fork Lift Cradle
- Step 3. Install the Power Converter (If Required)
- Step 4. Install the Mobile Computer and Connections

Step 1. Plan the Installation and Obtain Hardware

Installation Guidelines

Plan where the fork lift cradle will be mounted on the fork lift. (If necessary, change the orientation of the cradle on the mounting bracket.) If you are installing the power converter, plan where the power converter will be mounted on the fork lift, how the power converter will be connected to the fork lift power source, and how the cables will be routed.

It is strongly recommended that you review the entire guide before you begin installation. In particular, be sure to read the installation guidelines:

- *Fork Lift Cradle Installation Guidelines on page 12*
- *Power Converter Mounting Guidelines on page 16 (If Required)*
- *Power Source Connection and Cabling Guidelines on page 17 (If Required)*
- *Cabling Installation Guidelines on page 20 (If Required)*

Required Hardware

Before you begin, obtain the appropriate hardware.

Fork Lift Cradle:

- Four 3/8"-16 nuts
- Four 3/8" split lock washers
- Two U-bolts, depending on configuration:
 - For a horizontal mount: width = 4"; thread size = 3/8"-16
 - For a vertical mount: width = 2"; thread size = 3/8"-16

NOTE

- ✓ For a square roll cage upright, use a square U-bolt. For a round roll cage upright, use a round U-bolt with a saddle clamp.
- The maximum protrusion of the hardware between the mounting bracket and the fork lift cradle is 0.5" (12.7 mm). Refer to the illustrations beginning on page 13 for more information.

Power Converter:

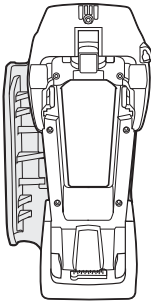
- Four stainless steel cap screws, 1/4"-20-X (M6x1.0-X) where X represents the length of the cap screws.
- Four 1/4"-20 (M6x1.0) nyloc nuts
- Four 1/4" (M6) flat washers

Changing the Orientation of the Cradle (If Necessary)

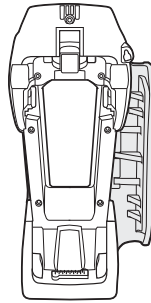
The unit comes shipped in right side mounting. To convert it to the left side, follow these instructions.

✓ **NOTE**

- After installation, if you need to remove the cradle for any reason, remove the cradle and mounting bracket as a unit.
- If you remove and re-attach the mounting bracket more than 10 times, replace the nyloc nuts.



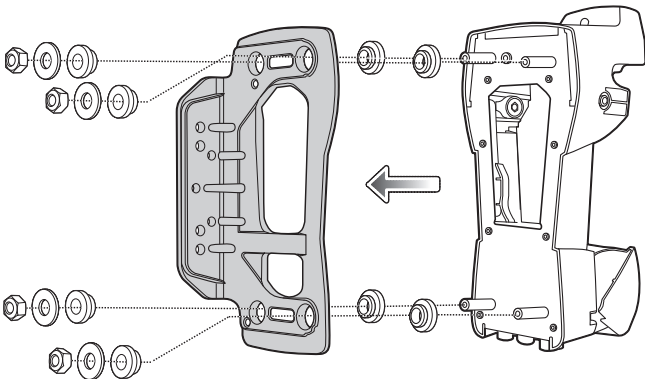
left



right

(factory default)

1. Remove the fork lift cradle from the mounting bracket by removing the four nyloc nuts that secure the cradle to the bracket.



Step 2. Install the Fork Lift Cradle

Fork Lift Cradle Installation Guidelines

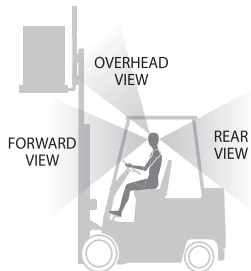
Determine the best location for mounting the fork lift cradle, taking into consideration the driver's field of view, ease of use, and mounting requirements.

- ✓ **NOTE** Not designed for overhead installations. Only vertical and horizontal installations are supported.

Position and Ease of Use

- Position the fork lift cradle to ensure proper ventilation around the fork lift cradle and mobile computer.
- Test the installation for at least 30 minutes to ensure that the fork lift cradle mounting has been done properly before installing on another fork lift.

- Determine the best position for the fork lift cradle and all the associated components. If a similar fork lift cradle was previously installed, check to see if the position it used is suitable for the MC9XXX series fork lift cradle:



- Be sure to position the cradle in a manner that does not interfere with the safety of day-to-day activities or create a hazardous condition.
- Check that the position of the fork lift cradle does not adversely obstruct or interfere with fork lift controls.
- Check that the fork lift cradle does not adversely obstruct the driver's view.
- Check the position of the fork lift cradle for user comfort over long periods.
- Check the visibility of the mobile computer display and accessibility of the mobile computer keypad while seated in the fork lift.
- Check the accessibility of the ports on the fork lift cradle for connecting external devices.
- Check that any attached cables are routed so that they do not interfere with the operation of forks or other moving parts.

Important Mounting Information

- Use the correct mounting hardware. See *Required Hardware* on page 9.
- All nuts and bolts must be checked periodically and tightened if required.

Installing the Cradle

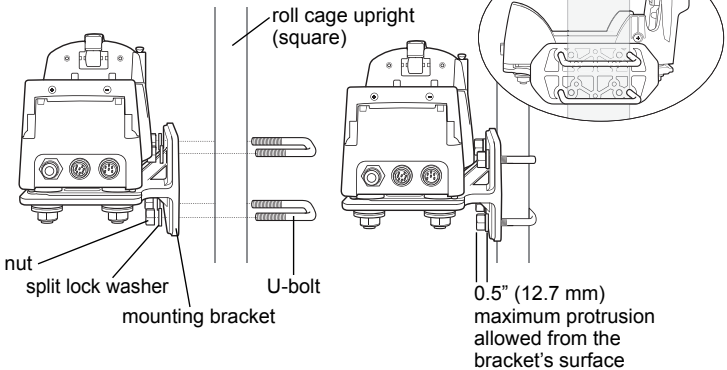
- Install the cradle to one of the roll cage uprights on the fork lift by securing the U-bolts around one of the uprights using the correct mounting hardware. See *Required Hardware on page 9*.

✓ **NOTE** An optional RAM Mount may be used. Be sure that a D-sized or larger RAM Mount and components are used.

Horizontal Orientation — Square Upright Mounting

4x attachments

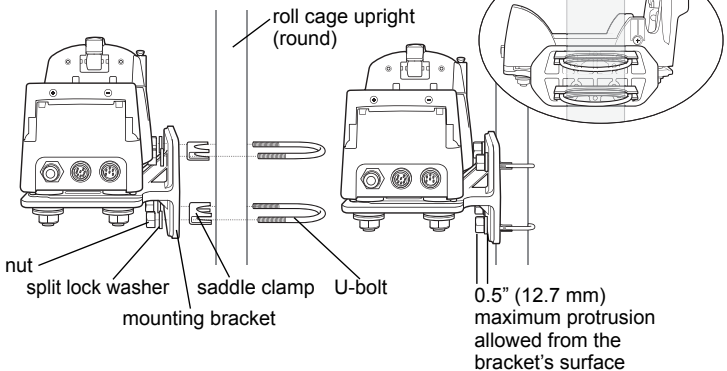
160 in/lb ± 10 in/lb (18 kg/m ± 1.2 kg/m)



Horizontal Orientation — Round Upright Mounting

4x attachments

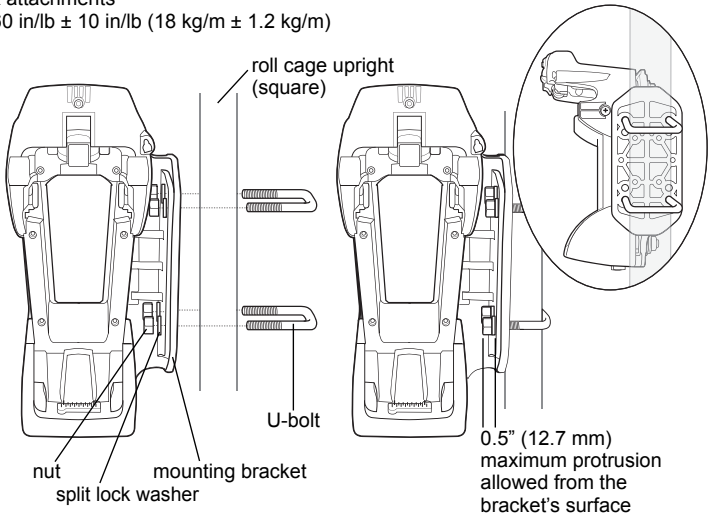
160 in/lb ± 10 in/lb (18 kg/m ± 1.2 kg/m)



Vertical Orientation — Square Upright Mounting

4x attachments

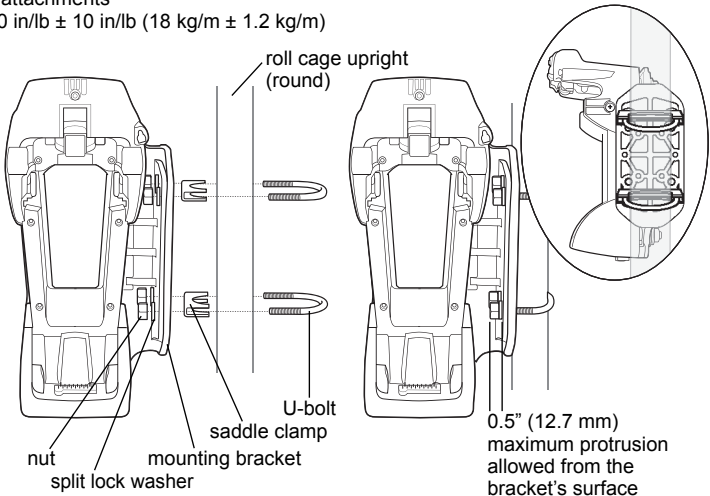
160 in/lb ± 10 in/lb (18 kg/m ± 1.2 kg/m)



Vertical Orientation — Round Upright Mounting

4x attachments

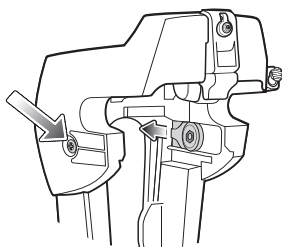
160 in/lb ± 10 in/lb (18 kg/m ± 1.2 kg/m)



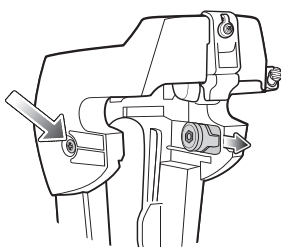
Set for MC9XXX-G or MC90XX-K Configuration

If necessary, set the configurable support for the MC9XXX-G or MC90XX-K configuration.

1. Note the direction the configurable support is facing. If it is facing in, the fork lift cradle is setup for the MC9XXX-G. If it is facing out, it is setup for the MC90XX-K.
2. To change the orientation, loosen the screw on the back of the configurable support and then rotate the configurable support. Re-tighten the screw. Repeat for the other side.



MC9XXX-G
(facing in, factory default)



MC90XX-K
(facing out)

Step 3. Install the Power Converter (If Required)

Step 3a. Mount the Power Converter (If Required)

Power Converter Mounting Guidelines

Determine the best location for mounting the power converter, taking into consideration the ease of accessing the power converter and mounting requirements.

Access Requirements

- Make sure that you have access to the cradle and the power converter's power-out connection.
- All nuts and bolts must be checked periodically and tightened if required.

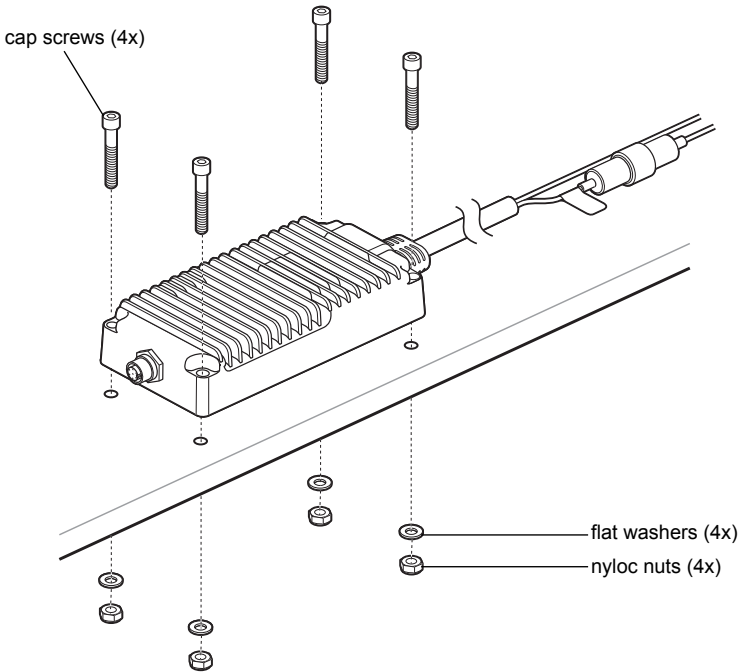
Important Mounting Information

- Mounting surface must be flat and rigid and it must extend evenly for the entire length of the power converter surface.
- All four mounting holes must be used.
- Use the correct mounting hardware. See *Required Hardware on page 9*.
- When installing the power converter, care must be taken to ensure that the mounting surface is fully supported. Additional plates may be required to achieve this.
- Check that any attached cables are routed so that they do not interfere with the operation of forks or other moving parts.

Mounting in any Orientation Example



CAUTION If mounting to a thin surface, a reinforcing plate is required.



Step 3b. Connect the Power Converter to the Power Source (If Required)

Power Source Connection and Cabling Guidelines

Determine the best method for connecting the power converter to the power source and for routing the cable, taking into consideration the following principles.

Power Source Connection Guidelines

- On electric fork lifts, connect the power as close to the battery as possible, but not directly from the battery terminals, and not before any main fuse.
- On gasoline, diesel or propane fork lifts, connect the power as close to the battery terminals as possible, and avoid using existing wiring.
- Ensure that the fuse is as close as possible to the power source.
- The fuse must be securely mounted and in an accessible location.

Cabling Installation Guidelines

- Establish a neat route for the cable, staying clear of moving parts, hot surfaces, and sharp edges at all times.
- Do not install where the cable will be a trip hazard or interfere with safety of day-to-day activities or otherwise create a hazardous condition.
- Fix the cable to existing cable runs inside the fork lift using cable ties, but make sure they are away from any moving or hot surfaces.
- When the cabling must go through a panel, use a suitable gland.
- Ensure the cable does not have tight bends. The minimum recommended bend radius is 2.5" (6.5 cm).
- Ensure cables do not swing or chafe on the structure. This often requires using cable ties approximately every foot (0.3 m), and ensuring the cables do not flex often, especially at connection points.
- If the fork lift cradle needs to be re-positioned, be sure there is enough slack in the cable to accommodate movement without putting tension on the cable.
- DO NOT wind a cable in and out of the mesh on a cage.
- DO NOT route the cables on the outside of the fork lift or areas where the fork lift may come in contact with objects.



WARNING! Shortening or modifying the cable and/or by-passing the in-line fuse voids the product warranty, nullifies the product UL safety mark, and may result in a hazardous condition. Do not modify the cable under any circumstance.

Connecting to the Fork Lift Power Source

✓ **NOTE** See the fork lift Owner's Manual for specific wiring information.

1. Disconnect the fork lift battery.



WARNING! Failure to disconnect the battery before installing the power converter may result in the injury or death of the installer by electric shock.

2. See the wiring diagram in *Installation on page 8*.
3. Confirm the fuse is in the fuse mount:
 - For a 12V or 24V fork lift, use a 8A fast blow ceramic fuse.
 - For a 36V, 48V, or 60V fork lift, use a 5A fast blow ceramic fuse.



WARNING! If the power converter fuse (located in the fuse mount) ever needs to be replaced, use the recommended fuse as identified on the fuse mount label and in this guide.

4. Route the cable from the power converter to the power source using the *Cabling Installation Guidelines on page 18*.
5. Connect the red wire to the fork lift's positive power source. Connect the black wire to the fork lift's negative power source.
6. Ensure the wiring connections created are sufficiently insulated from each other.
7. Reconnect the fork lift battery.

Step 3c. Connect the Fork Lift Cradle to the Power Converter (If Required)

Cabling Installation Guidelines

Determine the best method for routing the cable, taking into consideration the principles in *Cabling Installation Guidelines* on page 18.



WARNING! Shortening or modifying the cable voids the product warranty, nullifies the product UL safety mark, and may result in a hazardous condition. Do not modify the cable under any circumstance.

Connect the Fork Lift Cradle to Power Converter

1. Connect the cable to the power-in port on the fork lift cradle.
2. Route the cable to the power converter using the *Cabling Installation Guidelines* on page 18 and page 20.
3. Connect the cable to the power converter.

Step 4. Install the Mobile Computer and Connections

Mobile Computer Insertion and Removal

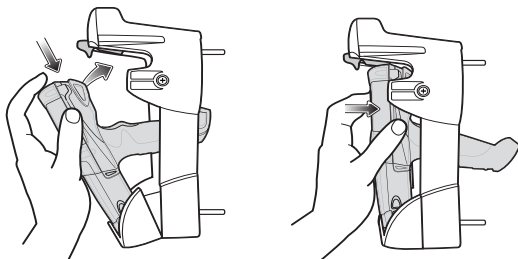
To insert the mobile computer into the fork lift cradle, place the bottom of the mobile computer into the bottom of the fork lift cradle, then press the mobile computer back into the cradle until the release button locks it in place.



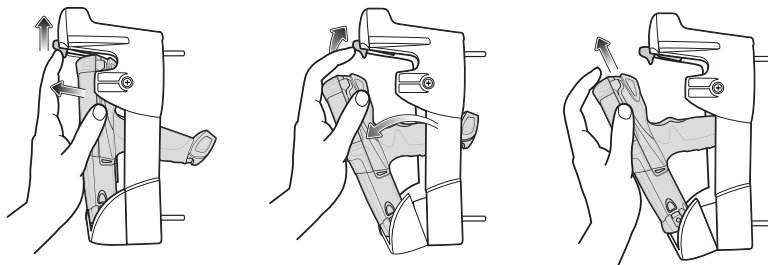
WARNING! Ensure the bottom of the mobile computer is fully seated into the cup before you push the mobile computer into the fork lift cradle. Failure to do so may cause property damage.

Ensure the mobile computer is fully inserted into the fork lift cradle and the release button is holding it securely in place. Pull on the mobile computer to ensure it is secured properly. Improper insertion can result in property damage or personal injury.

Do not use the product while driving.

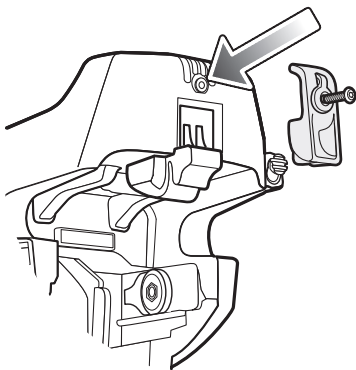


To remove the mobile computer from the fork lift cradle, lift the release button, then lift the mobile computer from the cradle. For one handed removal, use the index finger to press the release button up and then remove the mobile computer with your thumb and other fingers.



Using the Locking Mechanism

The locking mechanism prohibits the removal of the mobile computer from the fork lift cradle. To use the locking mechanism, with the mobile computer in the fork lift cradle, place the locking mechanism into the position behind the release button. Secure it with the attached screw. To remove the locking mechanism, loosen the screw securing it in place.



Connecting External Devices

The ports on the fork lift cradle are available to enable communication between a docked mobile computer and external devices such as a scanner and/or a printer.

A serial and/or a USB port are available. Connect one end of the cable (serial or USB cable) to the port on the fork lift cradle, and then connect the other end to the port on the external device. Specific cables are required.

If you installed the fork lift cradle without the power converter, see *Introduction on page 3* for more information.



NOTE When used with a USB client device, the terminal must be configured as a USB Host.

To place the MC9XXX into Host mode:

1. On Windows Mobile 5.0 devices, tap **Start > Settings > System > USBConfig** icon. On Windows CE devices, tap **Start > Settings > Control Panel > USBConfig** icon.
2. Tap the **USB Host Mode** radio button.
3. Tap **OK**.

To begin communication:

1. Insert the mobile computer into the fork lift cradle.
2. Initiate communication on the mobile computer, as determined by the application used.



CAUTION Removing the mobile computer during communication disrupts communication between the mobile computer and the attached device.

Supported Scanners

The MC9XXX series fork lift cradle supports the following scanners:

- LS3408-FZ20005R
(requires USB cable 25-71918-01R or serial cable 25-71917-02R)
- LS3408-ER20005R
(requires USB cable 25-71918-01R or serial cable 25-71917-02R)
- LS3478 scanner with FLB3478-C0007WR cradle
(requires USB cable 25-71918-01R or serial cable 25-71917-02R)
- LS3578 *Bluetooth*[®] scanner with FLB3508-C007WR cradle
(requires USB cable 25-71918-01R or serial cable 25-71917-02R)
- LS3578 *Bluetooth*[®] scanner with FLB3578-C007WR cradle
(requires USB cable 25-71918-01R or serial cable 25-71917-02R)
- LS3203
(requires serial cable 25-71916-01R)

- LS42XX
(requires USB cable 25-71918-01R or serial cable 25-71917-02R)

Maintenance

The MC9XXX series fork lift cradle and power converter contains no user-serviceable parts. Only qualified Service Centers should service the fork lift cradle or power converter.

- The MC9XXX series fork lift cradle is not sealed. Remove the fork lift cradle before washing the fork lift. (Remove the cradle and mounting bracket as one unit. Do not remove the cradle from the mounting bracket.) There is no need to remove the power converter as it is sealed. The cable is also sealed. However, wrap the cable connector with a heavy plastic bag and secure it with a rubber band to keep debris from being lodged in the connector when washing.
- Clean the MC9XXX series fork lift cradle and power converter by wiping with a soft cloth. Use a damp cloth if necessary.
- Never use solvents or abrasive cleaners. You may damage the MC9XXX series fork lift cradle or power converter.



WARNING! If the power converter fuse (located in the fuse mount) ever needs to be replaced, use the recommended fuse as identified on the fuse mount label and in this guide.

Troubleshooting

Problem	Cause	Solution
Mobile computer battery charging LED does not light (when using the power converter).	Cradle is not receiving power.	Ensure cables to cradle and power converter are securely connected.
	Power converter fuse is blown.	Replace power converter fuse.
	Power converter is faulty.	Replace power converter.

Problem	Cause	Solution
Mobile computer's battery is not recharging.	Mobile computer was removed from the cradle too soon.	Replace the mobile computer in the cradle. If the mobile computer's battery pack is fully depleted, it can take four hours to fully recharge the battery.
	Mobile computer battery is faulty.	Replace the battery.
	Mobile computer was not placed correctly in the cradle.	Remove the mobile computer from the cradle, and re-insert. If the battery still does not charge, contact your System Administrator.
Optional scanner does not function.	Scanner is not properly connected.	Connect the scanner to the correct port using the correct cable, see <i>Supported Scanners on page 23</i> . If the problem continues, refer to the scanner Product Reference Guide or contact your System Administrator.

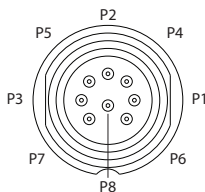
Electrical Specifications

- MC9XXX series fork lift cradle: 12 VDC, 2.5A
- High Voltage Power Converter: Input 18 VDC – 75 VDC, 2.4A;
Output 12 VDC, 2.5A
- Low Voltage Power Converter: Input 9 VDC – 30 VDC, 4.4A;
Output 12 VDC, 2.5A

Pin-Out Diagrams

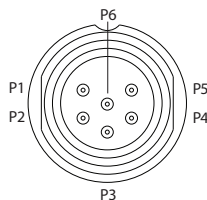
Serial Port

Pin	Signal	Description
1	RxD	Serial data input to fork lift cradle
2	TxD	Serial data output to fork lift cradle
3	RTS	Request to Send output from fork lift cradle
4	CTS	Clear to Send input to fork lift cradle
5	DCD	Data Carrier Detect input to fork lift cradle
6	DTR	Data Terminal Ready output from fork lift cradle
7	+5V	5 VDC switched power output to peripheral (500mA with power converter; 265mA without power converter)
8	GND	Ground



USB Port

Pin	Signal	Description
1	D+	Data positive
2	D-	Data negative
3	VBUS	Power
4	GND	Ground
5	Shielding	Shielding
6		Not used



Regulatory Information

All Zebra devices are designed to be compliant with rules and regulations in locations they are sold and will be labeled as required.

Local language translations are available at the following website:
<http://www.zebra.com/support>

Any changes or modifications to Zebra equipment, not expressly approved by Zebra, could void the user's authority to operate the equipment.

For use only with Zebra approved and UL Listed mobile computers. Zebra approved and UL Listed accessories and/or Zebra approved and UL Listed/Recognized battery packs.

Health and Safety Recommendations



Ergonomic Recommendations

CAUTION: In order to avoid or minimize the potential risk of ergonomic injury follow the recommendations below. Consult with your local Health & Safety Manager to ensure that you are adhering to your company's safety programs to prevent employee injury.

- Reduce or eliminate repetitive motion
- Maintain a natural position
- Reduce or eliminate excessive force
- Keep objects that are used frequently within easy reach
- Perform tasks at correct heights
- Reduce or eliminate vibration
- Reduce or eliminate direct pressure
- Provide adjustable workstations
- Provide adequate clearance
- Provide a suitable working environment
- Improve work procedures.

Power Supply

Use only an approved and correctly rated power supply as appropriate for the country of operation. Use of alternative power supplies will invalidate any approval given to this device and may be dangerous.

Battery Charging

To charge the mobile device battery, the battery and charger temperatures must be between + 32 ° F and + 104 ° F (0 ° C and + 40 ° C).

Radio Frequency Interference Requirements – FCC



Note: This equipment has been tested and found to comply with the limits for a Class B digital device, pursuant to Part 15 of the FCC rules. These limits are designed to provide reasonable protection against harmful interference in a

residential installation. This equipment generates, uses and can radiate radio frequency energy and, if not installed and used in accordance with the instructions, may cause harmful interference to radio communications. However there is no guarantee that interference will not occur in a particular installation. If this equipment does cause harmful interference to radio or television reception, which can be determined by turning the equipment off and on, the user is encouraged to try to correct the interference by one or more of the following measures:

- Reorient or relocate the receiving antenna
- Increase the separation between the equipment and receiver
- Connect the equipment into an outlet on a circuit different from that to which the receiver is connected
- Consult the dealer or an experienced radio/TV technician for help.

Radio Frequency Interference Requirements – Canada

This Class B digital apparatus complies with Canadian ICES-003.

Cet appareil numérique de la classe B est conforme à la norme NMB-003 du Canada.

Marking and European Economic Area (EEA)

Statement of Compliance

Zebra hereby declares that this device is in compliance with all applicable Directives, 2014/30/EU, 2014/35/EU and 2011/65/EU. The full text of the EU Declaration of Conformity is available at the following internet address:

<http://www.zebra.com/doc>.

Japan VCCI Warning Statement for Class B ITE

この装置は、情報処理装置等電波障害自主規制協議会（VCCI）の基準に基づくクラス B 情報技術装置です。この装置は、家庭環境で使用することを目的としていますが、この装置がラジオやテレビジョン受信機に近接して使用されると、受信障害を引き起こすことがあります。

取扱説明書に従って正しい取り扱いをして下さい。

This is a Class B product based on the standard of the Voluntary Control Council for Interference from Information Technology Equipment (VCCI). If this is used

near a radio or television receiver in a domestic environment, it may cause radio interference. Install and use the equipment according to the instruction manual.

Korea Warning Statement for Class B ITE

기종별	사용자 안내문
B급 기기	이 기기는 가정용으로 전자파 적합등록을 한 기기이오니 주거지역에서는 물론 모든 지역에서 사용할 수 있습니다.

Class	User's Guide
B Class	As this equipment has obtained EMC registration mainly for home use (class B), and may be used in all areas.



Waste Electrical and Electronic Equipment (WEEE)

English: For EU Customers: All products at the end of their life must be returned to Zebra for recycling. For information on how to return product, please go to: <http://www.zebra.com/weee>

Français : Clients de l'Union Européenne : Tous les produits en fin de cycle de vie doivent être retournés à Zebra pour recyclage. Pour de plus amples informations sur le retour de produits, consultez : <http://www.zebra.com/weee>.

Español: Para clientes en la Unión Europea: todos los productos deberán entregarse a Zebra al final de su ciclo de vida para que sean reciclados. Si desea más información sobre cómo devolver un producto, visite: <http://www.zebra.com/weee>.

Bulgarian: За клиенти от ЕС: След края на полезния им живот всички продукти трябва да се връщат на Zebra за рециклиране. За информация относно връщането на продукти, моля отидете на адрес: <http://www.zebra.com/weee>.

Deutsch: Für Kunden innerhalb der EU: Alle Produkte müssen am Ende ihrer Lebensdauer zum Recycling an Zebra zurückgesandt werden. Informationen zur Rücksendung von Produkten finden Sie unter <http://www.zebra.com/weee>.

Italiano: per i clienti dell'UE: tutti i prodotti che sono giunti al termine del rispettivo ciclo di vita devono essere restituiti a Zebra al fine di consentirne il riciclaggio. Per informazioni sulle modalità di restituzione, visitare il seguente sito Web: <http://www.zebra.com/weee>.

Português: Para clientes da UE: todos os produtos no fim de vida devem ser devolvidos à Zebra para reciclagem. Para obter informações sobre como devolver o produto, visite: <http://www.zebra.com/weee>.

Nederlands: Voor klanten in de EU: alle producten dienen aan het einde van hun levensduur naar Zebra te worden teruggezonden voor recycling. Raadpleeg <http://www.zebra.com/weee> voor meer informatie over het terugzenden van producten.

Polski: Klienci z obszaru Unii Europejskiej: Produkty wycofane z eksploatacji należą zwrócić do firmy Zebra w celu ich utylizacji. Informacje na temat zwrotu produktów znajduj' się na stronie internetowej <http://www.zebra.com/weee>.

Čeština: Pro zákazníky z EU: Všechny produkty je nutné po skončení jejich životnosti vrátit společnosti Zebra k recyklaci. Informace o způsobu vrácení produktu najdete na webových stránkách: <http://www.zebra.com/weee>.

Eesti: EL klientidele: kõik tooted tuleb nende eluea lõppedes tagastada taaskasutamise eesmärgil Zebra'ile. Lisainformatsiooni saamiseks toote tagastamise kohta külastage palun aadressi: <http://www.zebra.com/weee>.

Magyar: Az EU-ban vásárlóknak: Minden tönkrement terméket a Zebra vállalatához kell eljuttatni újrahasznosítás céljából. A termék visszajuttatásának módjával kapcsolatos tudnivalóként látogasson el a <http://www.zebra.com/weee> weboldalra.

Slovenski: Za kupce v EU: vsi izdelki se morajo po poteku življenjske dobe vrniti podjetju Zebra za reciklažo. Za informacije o vračilu izdelka obiščite: <http://www.zebra.com/weee>.

Svenska: För kunder inom EU: Alla produkter som uppnått sin livslängd måste returneras till Zebra för återvinning. Information om hur du returnerar produkten finns på <http://www.zebra.com/weee>.

Suomi: Asiakkaat Euroopan unionin alueella: Kaikki tuotteet on palautettava kierrätettäväksi Zebra-yhtiöön, kun tuotetta ei enää käytetä. Lisätietoja tuotteen palauttamisesta on osoitteessa <http://www.zebra.com/weee>.

Dansk: Til kunder i EU: Alle produkter skal returneres til Zebra til recirkulering, når de er udtjent. Læs oplysningerne om returnering af produkter på: <http://www.zebra.com/weee>.

Ελληνικά: Για πελάτες στην Ε.Ε.: Όλα τα προϊόντα, στο τέλος της διάρκειας ζωής τους, πρέπει να επιστρέφονται στην Zebra για ανακύκλωση. Για περισσότερες πληροφορίες σχετικά με την επιστροφή ενός προϊόντος, επισκεφθείτε τη διεύθυνση <http://www.zebra.com/weee> στο Διαδίκτυο.

Malti: Għal klijenti fl-UE: il-prodotti kollha li jkunu waslu fl-aħħar tal-ħajja ta' l-użu tagħhom, iridu jiġu rritornati għand Zebra għar-riċiklaġġ. Għal aktar taġħrif dwar kif għandek tirritorna l-prodott, jekk jogħġbok żur: <http://www.zebra.com/weee>.

Slovenčina: Pre zákazníkov z krajín EU: Všetky výrobky musia byť po uplynutí doby ich životnosti vrátené spoločnosti Zebra na recykláciu. Bližšie informácie o vrátení výrobkov nájdete na: <http://www.zebra.com/weee>.

Lietuvių: ES vartotojams: visi gaminiai, pasibaigus jų eksploatacijos laikui, turi būti gražinti utilizuoti į kompaniją „Zebra“. Daugiau informacijos, kaip gražinti gamini, rasite: <http://www.zebra.com/weee>.

Latviešu: ES klientiem: visi produkti pēc to kalpošanas mūža beigām ir jānogādā atpakaļ Zebra otrreizējai pārstrādei. Lai iegūtu informāciju par produktu nogādāšanu Zebra, lūdzu, skatiet: <http://www.zebra.com/weee>.

TURKISH WEEE Statement of Compliance

EEE Yönetmeliğine Uygundur

Service Information

If you have a problem using the equipment, contact your facility's Technical or Systems Support. If there is a problem with the equipment, they will contact the Zebra Global Customer Support at: <http://www.zebra.com/support>.

For the latest version of this guide go to: <http://www.zebra.com/support>.



Zebra Technologies Corporation
Lincolnshire, IL U.S.A
<http://www.zebra.com>

Zebra and the stylized Zebra head are trademarks of ZIH Corp., registered in many jurisdictions worldwide. All other trademarks are the property of their respective owners.

©2016 Symbol Technologies LLC, a subsidiary of Zebra Technologies Corporation. All rights reserved.



72-108547-04 Revision A - October 2016