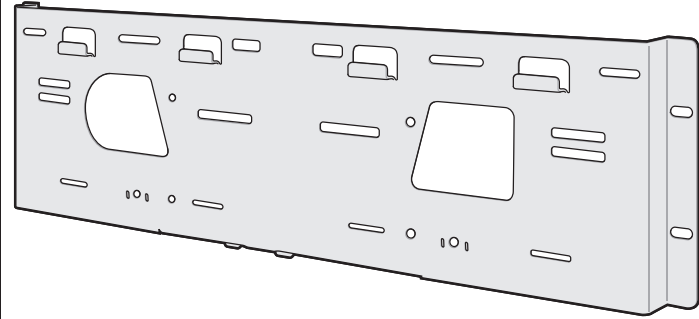


Rack Mounting Bracket Installation Guide



Zebra reserves the right to make changes to any product to improve reliability, function, or design.
Zebra does not assume any product liability arising out of, or in connection with, the application or use of any product, circuit, or application described herein. No license is granted, either expressly or by implication, estoppel, or otherwise under any patent right or patent, covering or relating to any combination, system, apparatus, machine, material, method, or process in which Zebra products might be used. An implied license exists only for equipment, circuits, and subsystems contained in Zebra products.

Warranty

For the complete Zebra hardware product warranty statement, go to: <http://www.zebra.com/warranty>.

Service Information

If you have a problem with your equipment, contact your facility's Technical or Systems Support. If there is a problem with the equipment, they will contact the Zebra Support Center.



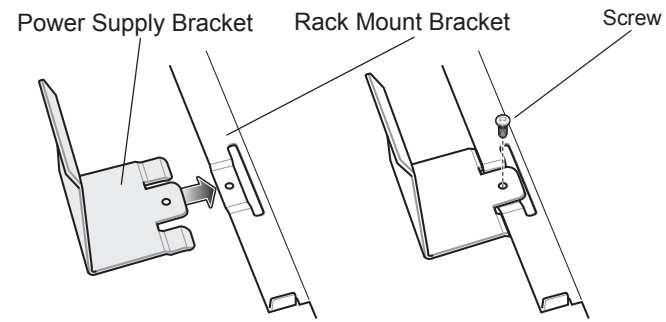
Zebra Technologies Corporation
Lincolnshire, IL U.S.A.
<http://www.zebra.com>

Zebra and the Zebra head graphic are registered trademarks of ZIH Corp. The Symbol logo is a registered trademark of Symbol Technologies, Inc., a Zebra Technologies company.
© 2015 Symbol Technologies, Inc.



Install Power Supply Bracket

1. Align the power supply bracket with the mounting screw hole on the rack mount bracket.
2. Secure the power supply bracket to the rack mount bracket using the provided screw.



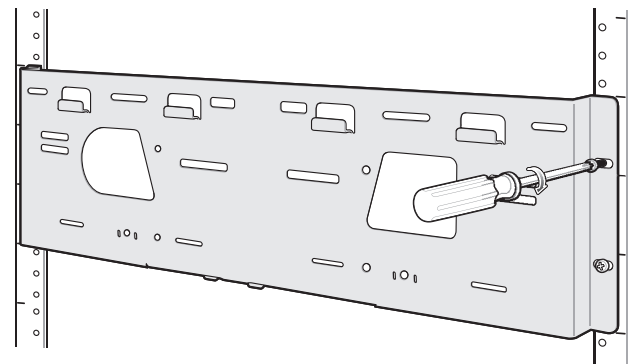
Install Rack Mount Bracket

To install the rack mount bracket onto the rack:

- ✓ **NOTE** Use screws provided with rack system. Refer to rack user documentation for instructions.

When installing on a new rack start at the bottom of the rack and work up. The bottom of the first rack mount bracket should be at least 8U from the bottom of the rack.

1. Align the screw holes on the rack mount bracket with the screw holes on the rack rails. Most racks include U marks on the rails for proper positioning of the brackets.
2. Secure the rack mount bracket to the rails using four screws.



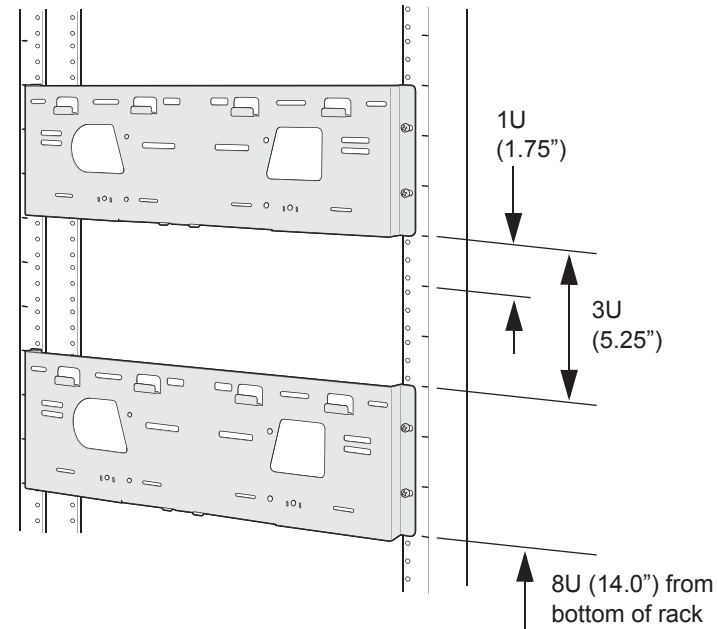
3. Repeat the procedure for each rack mount bracket.
4. Ensure the proper spacing between rack mount brackets.

Bracket Spacing

The spacing between rack mount brackets vary depending upon the devices mounted on the rack. The table below lists the spacing required between the rack mount brackets with different configurations.

| Top Product | Bottom Product | Spacing Between Brackets | |
|------------------------|------------------------|--------------------------|--------|
| | | U Sizes | Inches |
| MC9500 Four Bay Cradle | MC9500 Four Bay Cradle | 3U | 5.25" |
| MC9500 Four Bay Cradle | MC9500 Battery Charger | 2U | 3.5" |

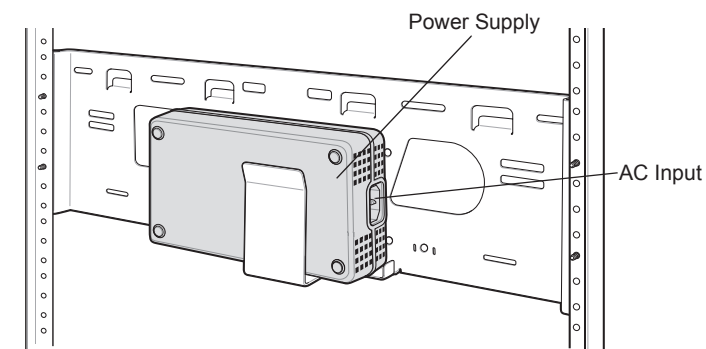
| Top Product | Bottom Product | Spacing Between Brackets | |
|------------------------|------------------------|--------------------------|--------|
| | | U Sizes | Inches |
| MC9500 Battery Charger | MC9500 Four Bay Cradle | 2U | 3.5" |
| MC9500 Battery Charger | MC9500 Battery Charger | 1U | 1.75" |



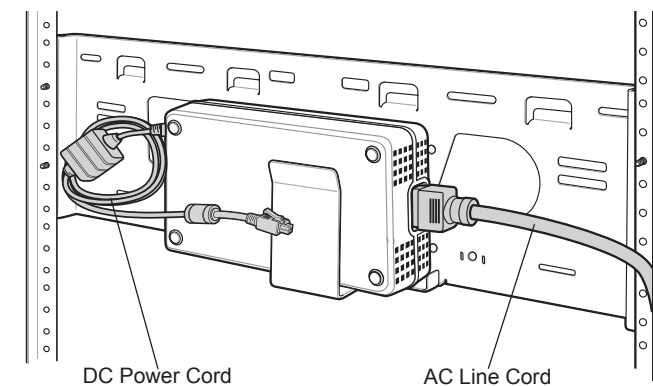
Power Connection

To connect power to the cradle or charger:

1. Place the power supply onto the power supply bracket as shown. Ensure that the power supply is oriented with the AC input facing to the right.



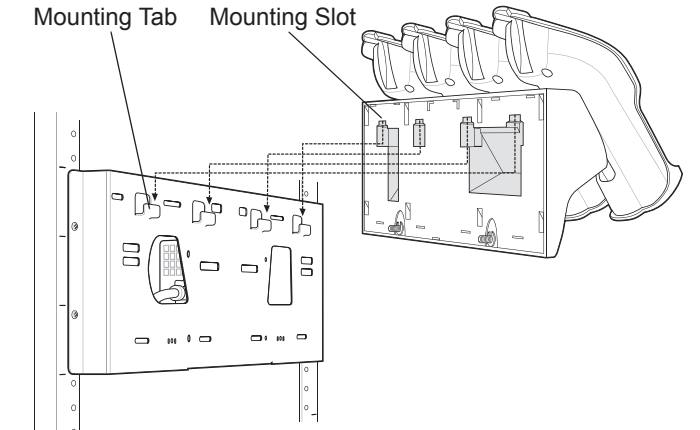
2. Connect the AC line cord to the power supply.
3. Connect the DC power cord to the power supply.



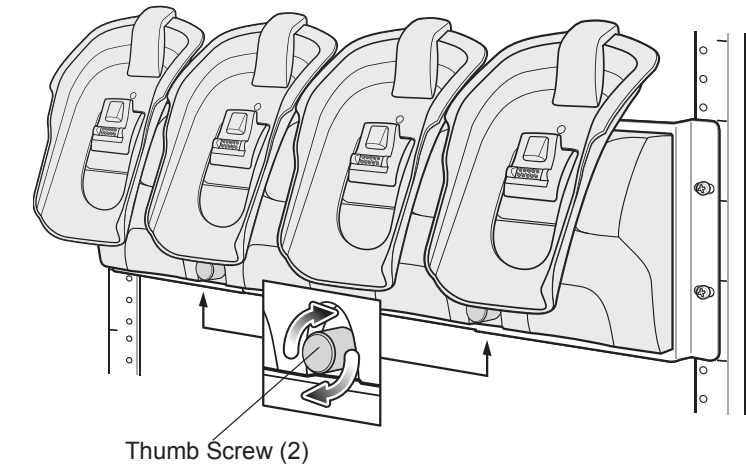
Four Bay Cradle Mounting

To mount a Four Bay Ethernet or Charge Only cradle:

1. Align the mounting slots on the back of the cradle with the mounting tabs on the rack mount bracket.



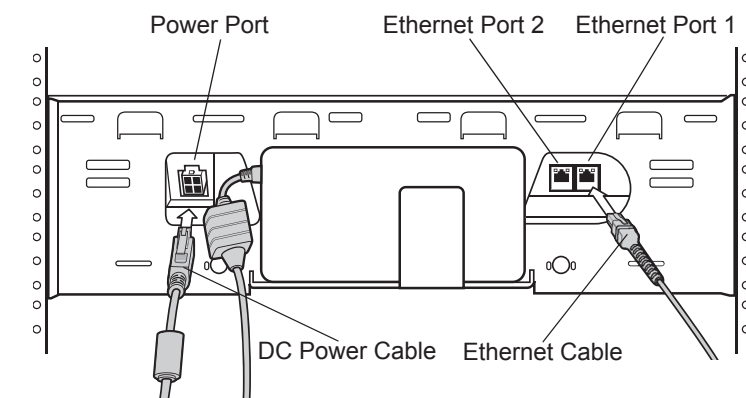
2. Secure the cradle to the rack mount bracket using the two thumb screws.



Four Bay Cradle Connection

To connect the cables to a Four Bay Ethernet or Charge Only cradle:

1. Connect the DC power cord to the cradle power port.

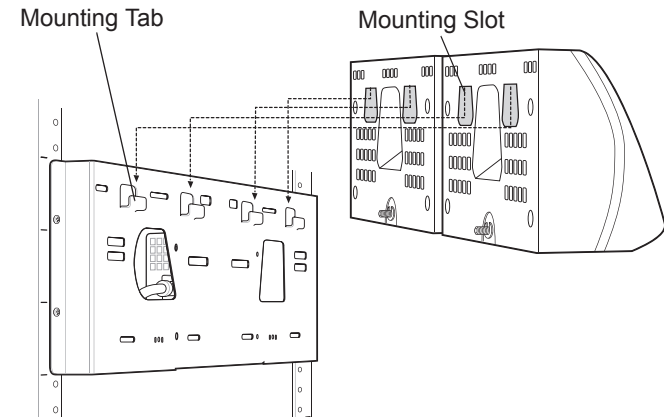


2. For Ethernet cradle, connect an Ethernet cable to the Ethernet port on the cradle.
3. Connect the other end of the Ethernet cable to another Ethernet cradle or to an Ethernet switch.

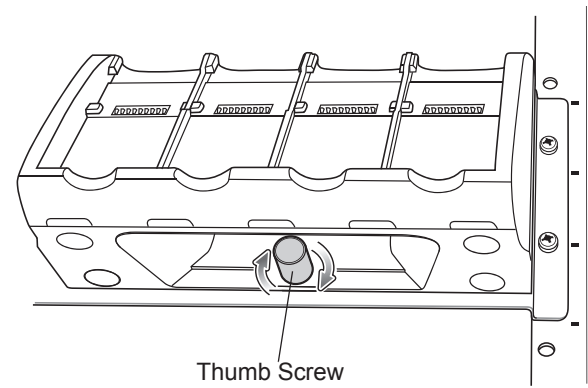
Four Slot Battery Charger Mounting

To mount the Four Slot Battery Charger:

1. Align the mounting slots on the back of each charger with the mounting slots on the rack mount bracket.



2. Secure the chargers to the rack mount bracket using the thumb screws.

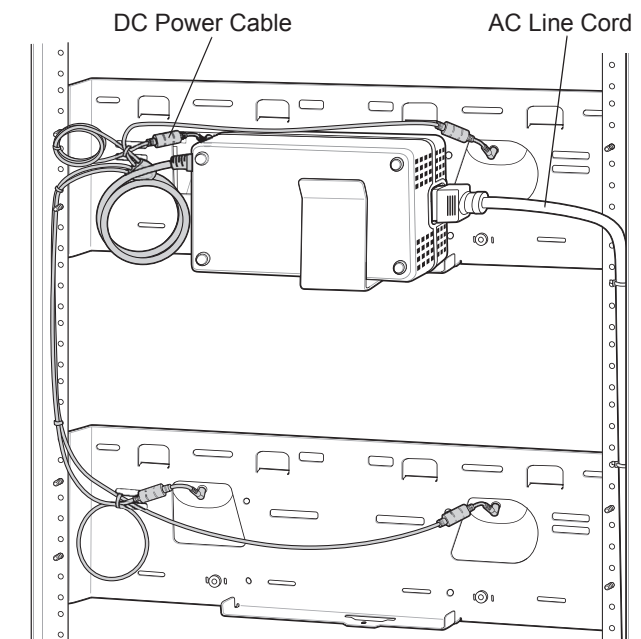


Four Slot Charger Connection

To connect the cables to the Four Slot Battery Chargers:

- ✓ **NOTE** Use one power supply for up to four Four Slot Battery Chargers.

1. Connect the DC power cord to the power supply output connector.



2. Connect each power plug to the power port on the back of the chargers.

Cable Routing and Management

While installing the brackets, power supplies and cables:

- Use tie wraps to secure cables to the bracket and rails.
- Coil cables wherever possible.
- Route power cables along the rails.
- Route inter-cradle cables to the side rails and then from the rails to the bracket.

Power Connection

- ⚠ **CAUTION** Installer should ensure that all building codes are followed when connecting the power supplies to an AC power source.

Finishing

After the rack installation is complete, use blank panels to close up spacing between rack mount brackets. Blank panels are available from the rack manufacturer and come in various U sizes.

Mounting an MC3000, MC7X or MC55 4-slot Cradle Using the Wall Mount Bracket

An optional wall mount bracket is available to mount an MC3000, MC7X or MC55 cradle to the rack mount bracket. Refer to the instructions provided with the bracket.

Use the four screws holes to mount the wall mount bracket onto the rack mount bracket.

