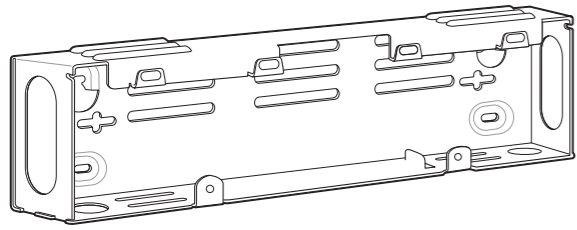


## Universal Wall Mount Bracket Installation Guide



Zebra reserves the right to make changes to any product to improve reliability, function, or design. Zebra does not assume any product liability arising out of, or in connection with, the application or use of any product, circuit, or application described herein. No license is granted, either expressly or by implication, estoppel, or otherwise under any patent right or patent, covering or relating to any combination, system, apparatus, machine, material, method, or process in which Zebra products might be used. An implied license exists only for equipment, circuits, and subsystems contained in Zebra products.



Zebra Technologies Corporation  
Lincolnshire, IL U.S.A.  
<http://www.zebra.com>

Zebra and the Zebra head graphic are registered trademarks of ZIH Corp. The Symbol logo is a registered trademark of Symbol Technologies, Inc., a Zebra Technologies company.  
© 2015 Symbol Technologies, Inc.



72-125552-02 Revision A — February 2015

### CAUTION:

Use mounting hardware (screws and/or anchors) appropriate for the type of wall you are mounting the bracket onto. The Wall Mount Bracket mounting slots dimensions are 5 mm (0.2 in.). Fasteners must be able to hold a minimum of 25 Kg (50 lbs.)

For proper installation consult a professional installer. Failure to install the Wall Mount Bracket properly can possibly result in damage to the hardware.

Use the template on the back side of this guide.

Place the template onto the wall, level and mark the four screw hole locations and drill holes.

1. Install top two screws into the wall.
2. The screw heads should protrude 12.7 mm (0.5") from the wall.
3. Align the mounting bracket's top two mounting holes with the screws. Place mounting bracket on screws. Tighten the two screws to the wall securing the bracket.
4. Install and secure two screws at the bottom of the bracket.

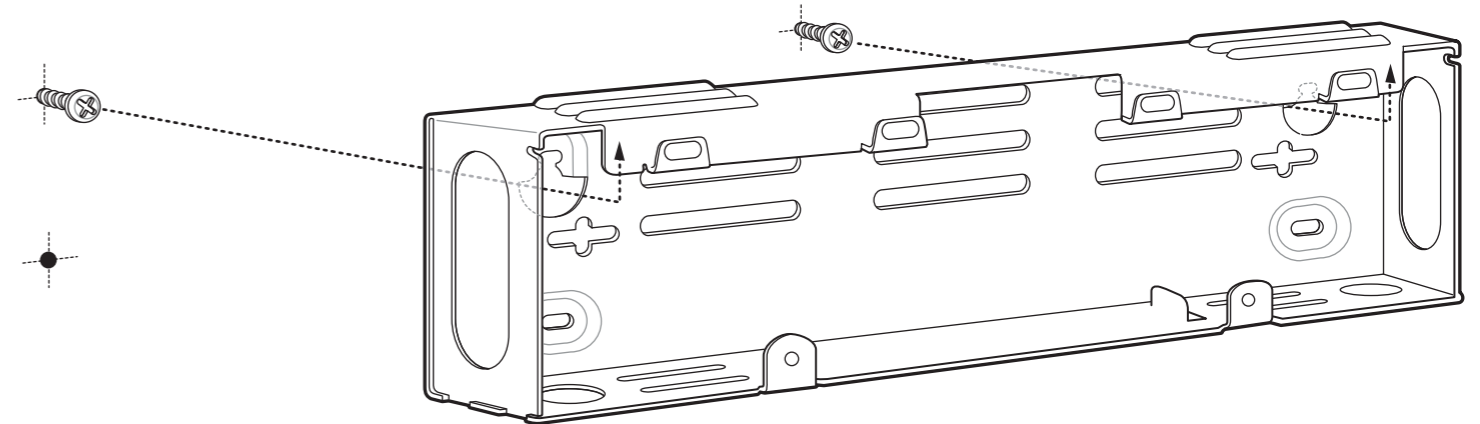
# 1



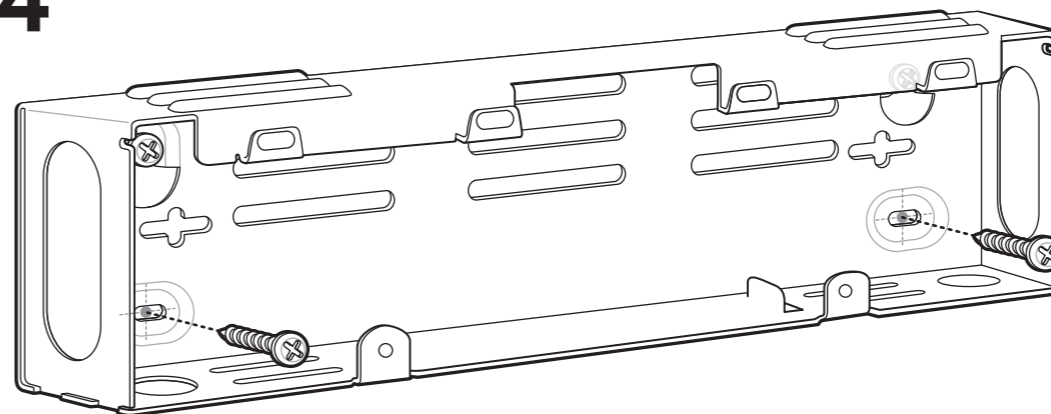
# 2

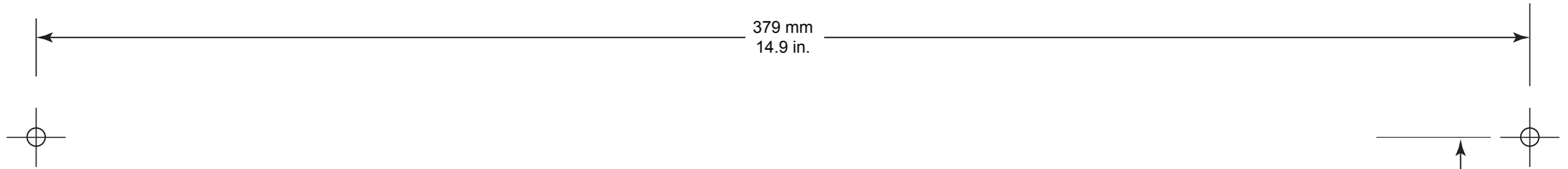


# 3



# 4





## Mounting Multiple Brackets

When mounting multiple brackets on a wall:

- Place brackets next to each other so that the brackets touch.
- Distance from top mounting hole of one bracket to top mounting hole of next bracket should be 254 mm (10 in.) minimum.
- Vertical space between brackets should be 131 mm (5.2 in.) minimum.
- Lowest bracket should not be less 610 mm (24 in.) from the floor.
- Maximum of four brackets vertically.

Refer to the *MC95XX Series Mobile Computer Integrator Guide* for detailed instructions for installing cradles and chargers on the brackets.

