



Omni™ XT15

EMC Configuration and Accessories Guide

Designed to assist customers and partners with model and configuration guidance



List of changes

Version Update (Feb 2017)

1. Slide 5: Updated hyperlink to Partner Portal
2. Slide 8: Updated Exceptions Table
3. Slide 13: Added warnings for XT15 Narrowband scanner pod and pistol grip upgrades
4. Slide 16, 17, 18, 19: Added ST5998 keypad bezel removal tool.
5. Slide 21, 22: Updated charging accessories P/Ns with Level 6 replacements, added specifics about DC cord and AC line cords.

Contents

- I. XT15 Series Configuration Guide
- II. XT15 Series Accessories





XT15 Configuration Guide

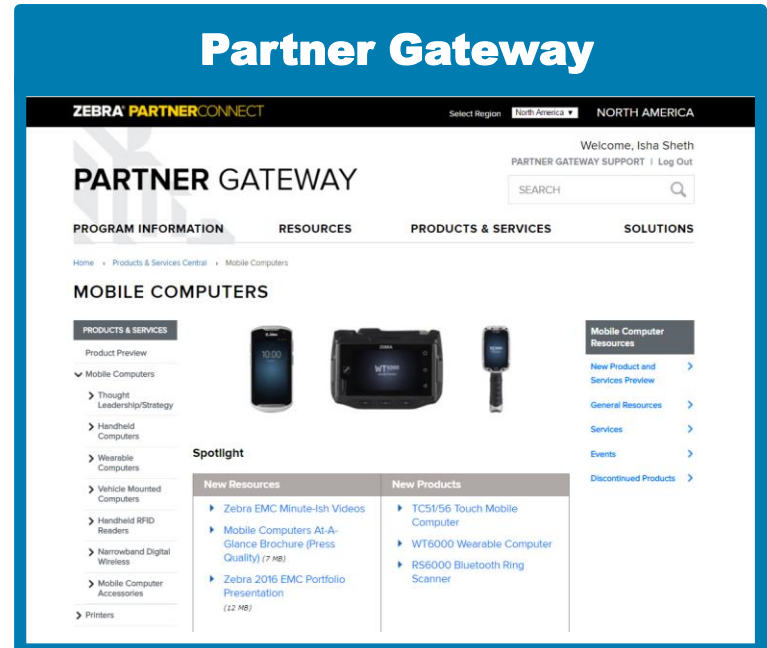


XT15 Series

CONFIGURATION AND ACCESSORY GUIDES are available on [The Source](#) and [PartnerPortal](#)

- Also see www.zebra.com/xt15 and the XT15 Configuration and Accessories Guide
- XT15/WAP4 Positioning Strategy Webinar & presentation with use-case driven approach
[Partner Central](#)

Find Product Information in the **EMC Product Portfolio** on [The Source](#) and [PartnerPortal](#)



The screenshot displays the Zebra Partner Gateway website. At the top, there is a blue header with the text "Partner Gateway". Below this, a navigation bar includes "ZEBRA PARTNERCONNECT", a "Select Region" dropdown menu set to "North America", and "NORTH AMERICA". The main content area features a "PARTNER GATEWAY" title, a search bar, and a navigation menu with categories: "PROGRAM INFORMATION", "RESOURCES", "PRODUCTS & SERVICES", and "SOLUTIONS". The "PRODUCTS & SERVICES" section is expanded to show "MOBILE COMPUTERS". On the left, a sidebar lists various product categories under "PRODUCTS & SERVICES", including "Mobile Computers", "Thought Leadership/Strategy", "Handheld Computers", "Wearable Computers", "Vehicle Mounted Computers", "Handheld RFID Readers", "Narrowband Digital Wireless", "Mobile Computer Accessories", and "Printers". The main content area shows three mobile devices (a smartphone, a rugged handheld, and a wearable) and a "Spotlight" section with "New Resources" and "New Products". The "New Resources" section includes links to "Zebra EMC Minute-Ish Videos", "Mobile Computers At-A-Glance Brochure (Press Quality) (7 MB)", and "Zebra 2016 EMC Portfolio Presentation (12 MB)". The "New Products" section includes links to "TC5156 Touch Mobile Computer", "WT6000 Wearable Computer", and "RS6000 Bluetooth Ring Scanner". On the right, a "Mobile Computer Resources" sidebar lists "New Product and Services Preview", "General Resources", "Services", "Events", and "Discontinued Products".

XT15 Configuration Matrix

CONFIGURATION OPTIONS:	WA4xx	OPTION	DESCRIPTION
Product Type	O B xxxxxxxxxxxxx	B	XT15
	O D xxxxxxxxxxxxx	D	XT15 Non Incendive Class I Div 2
	O E xxxxxxxxxxxxx	E	XT15 Freezer
Display and Op. Temp. Range	Ox 0 xxxxxxxxxxxxx	0	Standard with High Visibility display (EOL)
	Ox 1 xxxxxxxxxxxxx	1	Standard with Extreme Duty (Higher Impact Resistance) display
	O E3 xxxxxxxxxxxxx	3	Chiller (Condensation Resistant) with Extreme Duty display
	O E4 xxxxxxxxxxxxx	4	Arctic (-30C) with Extreme Duty Heated Display
Memory	Oxx 3 xxxxxxxxxxxxx	3	512MB SDRAM/1GB Flash ROM
Operating System Options	Oxxx 1 xxxxxxxxxxxxx	1	Microsoft CE 6.0
	Oxxx A xxxxxxxxxxxxx	A	Microsoft Windows Embedded Hand Held 6.5
Local Languages	Oxxxx 1 xxxxxxxxxxxxx	1	English
	Oxxxx 2 xxxxxxxxxxxxx	2	French
	Oxxxx 3 xxxxxxxxxxxxx	3	German
	Oxxxx 5 xxxxxxxxxxxxx	5	Italian
	Oxxxx 0 xxxxxxxxxxxxx	0	No Terminal Emulation, No MDM
Emulation, Mobile Device Management, Browser Software	Oxxxx X xxxxxxxxxxxxx	2,3,4,5,6,E,F,G,H	Tek Term TE, Stay Linked TE, Naurtech Industrial Browser, Wavelink TE, MobiControl, Mobi Control and TekTerm, MobiControl and StayLinked TE, MobiControl and Naurtech Browser, MobiControl and Wavelink TE (Load only – License to be purchased separately)
Keypad Options	Oxxxxxxx 0 xxxxxxx	0	No Keyboard Installed - Order keyboard separately
	Oxxxxxxx 1 xxxxxxx	1	59 Key, Alpha ABC, Numeric Telephony, 6 Function single push
	Oxxxxxxx 1 xxxxxxx	2	36 Key, Numeric Telephony, 12 Function single push
	Oxxxxxxx 3 xxxxxxx	3	36 Key, Alpha Modified, Numeric Calculator, 12 Function single push
	Oxxxxxxx 4 xxxxxxx	4	55 Key, Phone Keys, Alpha ABC, Numeric Telephony
	Oxxxxxxx 5 xxxxxxx	5	66 Key, Phone Keys, Alpha QWERTY, Numeric Telephony, 6 Function
	Oxxxxxxx 8 xxxxxxx	8	34 Key, Numeric Telephony, 12 Function Single Push
	Oxxxxxxx A xxxxxxx	A	Oracle, 59 Key, Alpha ABC, Numeric Telephony, 6 Function Single Push
	Oxxxxxxx B xxxxxxx	B	Oracle, 66 Key, Phone Keys, Alpha QWERTY, 6 Function Keys
	O E xxxxxxx C xxxxxxx	C	58 Key, Freezer Legacy Colors, Alpha ABC, Numeric Telephony
	O E xxxxxxx D xxxxxxx	D	34 Key, Freezer Legacy Colors, Numeric Telephony, 12 Function

XT15 Configuration Matrix (XT15,F,NI) *Unique Configurator for XT15NB

CONFIGURATION OPTIONS:	WA4xx	OPTION	DESCRIPTION
Future	Oxxxxxxxx0xxxxx	0	None
Radio Options	Oxxxxxxxx0xxxxx	0	802.11 A/B/G/N, BT 2.0+ EDR, No WAN
	Oxxxxxxxx1xxxxx	1	802.11 A/B/G/N, BT 2.0+ EDR, GPS – End of Life
	Oxxxxxxxx2xxxxx	2	802.11 A/B/G/N, BT 2.0+ EDR, HSPA +, GPS
	Oxxxxxxxx1xxxx	1	None
Standard Expansion Back Cover (No Pod or End Cap Capability)	Oxxxxxxxx2xxxx	2	Push-to-Talk Speaker
	Oxxxxxxxx3xxxx	3	Push-to-Talk Speaker, Camera
	Oxxxxxxxx8xxxx	8	Imager 2D – SE4500
	Oxxxxxxxx9xxxx	9	Imager 2D – SE4600LR
	OxxxxxxxxAxxxx	A	Scanner 1D – Auto Range SE1524ER
	OxxxxxxxxBxxxx	B	Scanner 1D - Standard Range SE1224HP
	OxxxxxxxxExxxx	E	Scanner 1D – Standard Range SE965HP
	Oxxxxxxxx1xxx	1	None
Secondary Expansion POD	Oxxxxxxxx8xxx	8	Imager 2D – SE4500
	OxxxxxxxxBxxx	B	Scanner 1D – Standard Range SE 1224HP
	OxxxxxxxxDxxx	D	Scanner 1D – Standard Range SE955
	OxxxxxxxxTxxx	T	HF RFID Note: Incompatible with WAN
	Oxxxxxxxx1xx	1	None
Secondary Expansion ENDCAP	Oxxxxxxxx8xx	8	Imager 2D – SE4500
	OxxxxxxxxDxx	D	Scanner 1D – SE955
	Oxxxxxxxx0x	0	Standard 5000 mAh Lithium Ion Battery
Battery Options	ODxxxxxxxx1x	1	Non-Incendive 5000 mAh Lithium Ion Battery
	OExxxxxxxx2x	2	5300 mAh Freezer Battery (required on Arctic)
	Oxxxxxxxx1	1	No input accessories
Input Accessories	Oxxxxxxxx2	2	Pistol Grip, Tethered Stylus
	Oxxxxxxxx4	4	Hand strap, Tethered Stylus

Configuration Exceptions List

Terminal	Std Expansion (Back cover)	Sec Exp (Pod)	Sec Exp (End cap)	Radio	Input Accessory	Compatible	Explanation
All	Lorax			WWAN		No	WWAN requires expansion back cover so only end cap and pod scanners can work - which are SE4500, SE955, SE1224HP
All		HF RFID Reader		WWAN		Yes	
All		HF RFID Reader			Pistol Grip	No	RFID unit fits in the same location as pistol grip
All	SE4600, SE1524	HF RFID Reader				No	The only scanners that can be used with RFID are end cap scanners. Only SE4500 is currently available with a HF RFID.
Freezer		HF RFID Reader				No	No Pod options are available for Freezer (and HF RFID requirement). HF RFID has not been qualified for NI.
All	Camera PTT, speaker	HF RFID Reader				Yes	
Freezer with Narrowband						No	XT15 can be either Narrowband or Freezer, not technically feasible to support both on the product
Narrowband	SE1524 (Lorax) or SE4600					No	XT15NB supports scan engines in the large and small pods only: SE1224, SE955 and SE4500. SE4600 is too high of a power consumer to integrate with NB and SE1524 (Lorax) is technically feasible to integrate as a future option – request via CPR process.
Narrowband		HF RFID				No	XT15 Narrowband SKUs are not compatible with HF RFID.
Freezer	SE4600 or, SE1524 or, SE965					Yes	Only 3 scanners compatible with XT15F SE4600 , SE1524 and SE965
NI	SE4600 (or)	HF RFID				Yes! (New)	SE4600 LRI back cover can now be used with XT15 NI variant. HF RFID pod can also be used with XT15NI (Use field request to request new SKUs)
NI	SE4500 or, SE4600 or, SE1524ER or, SE1224HP		Or SE4500			Yes	Only 4 scanners compatible with XT15NI SE4500, SE4600, SE1524ER and SE1224HP .

Main XT15 Variants



XT15 Variants

XT15 Standard

Operating System

- Windows CE 6.0
- Windows Embedded Handheld 6.5

Memory

- 512MB SDRAM/1GB Flash ROM

XT15ni Non- Incendive

UL Class 1, Div 2,
Groups A,B,C,D; T6

Operating System

- Windows CE 6.0
- Windows Embedded Handheld 6.5

Memory

- 512MB SDRAM/1GB Flash ROM

XT15f Freezer

Condensation-Resistant Chiller model

- - 4° F / - 20° C environments

Condensation-free Arctic Model

- - 22° F / -30° C freezers

Operating System

- Windows CE 6.0
- Windows Embedded Handheld 6.5

Memory

- 512MB SDRAM/1GB Flash ROM

XT15nb Narrowband

Operating System

- Windows CE 6.0

Region & Memory

- 512MB SDRAM/1GB Flash ROM
- UK countries (512 MB RAM/1 GB Flash)
- Non-UK (512 MB RAM/1 GB Flash)

XT15 Radio Options



Built-in Radios

802.11 A/B/G/N, Antenna with Bluetooth 2.0 + EDR, No WAN

802.11 A/B/G/N, Antenna with Bluetooth 2.0 + EDR, **UMTS / HSPA+, GPS**

Applicable only for Upgrades / Reconfiguration



Expansion Radio Module

RA3050-GPS HSPA+ and GPS WAN expansion module

RA3050 - GPS
HSPA+ and GPS WAN
expansion module



RA3050-GPS requires End-cap with HSPA+ Antenna (ST96xx)

Installation instructions for Radio Modules:

<http://www.ingenuityworking.com/knowledge/w/knowledgebases/949.omnii-product-manuals.aspx>

XT15 Display Options



ST2003 (EOL)

XT15 High Visibility display module

End of Life, order ST2004



ST2004

XT15 Extreme Duty display module

Extreme -20° C and Impact Resistance
Offers improved impact resistance (1.25 Joule impact) and improved low temperature performance



ST2008

XT15F Chiller display Module

-20° C Temp Extreme
Condensation Resistant
and Impact Resistance



ST2007

XT15F Arctic Extreme Duty Heated display module

-30° C Temp Extreme
Condensation free and
Impact Resistance

XT15 Back Cover Options

Standard Expansions

ST9002	Blank Expansion Back cover
ST9714	SE4500 Standard 2D Imager
ST9715	SE4600LR Extended 2D Imager
ST9703	SE1524ER 1D Scanner Auto-Range
ST9701	SE1224HP 1D Scanner Standard-Range
ST9004	Push-to-Talk Speaker
ST9013	Push-to-Talk Speaker with Camera
ST9710	SE965 Standard Range 1D Laser for Freezer Units (XT15f)
ST9711	SE1524ER Lorax Engine for Freezer Units (XT15f)
ST9716	SE4600 LR Extended 2D Imager for Freezer Units (XT15f)

Scanner Engine Back covers cannot be combined with any Pod or End cap Accessories

Pods and end-caps compatible with speaker and camera back covers



ST9701
SE1224HP 1D Scanner



ST9714
SE4500 2D Imager



ST9710
SE965 Back cover for XT15f



ST9711
SE1524ER for XT15f



ST6100
Pistol Grip Kit

Optional Pistol Grip Kit



ST6500
Pistol Grip Kit

ST6500 pistol grip compatible with ST9715 / ST9716 (SE4600 LRI) too.



ST9703
SE1524ER 1D Scanner

Optional Pistol Grip Kit



ST6400
Pistol Grip Kit

ST6104
Replacement Pistol Grip Switch Cover
Normally included with each back cover



ST9004
Back cover with Speaker



ST9013
Back cover with Speaker and Camera



XT15 Pod Options

Secondary Expansions

- ST9100** Pod Blanking Cap
- ST9204** SE955 1D Standard Range Scanner (Slim Pod)
- ST9114** SE4500 2D Imager (Standard Pod)
- ST9101** SE1224HP 1D Standard Range Scanner (Standard Pod)
- ST9214** SE4500 2D Imager (Slim Pod)
- ST9210** HF RFID Reader



ST9114
SE4500 2D Imager Standard Pod



ST9101
SE1224HP 1D Scanner Standard Pod

! Adding a Scanner pod module to XT15 Narrowband SKUs is a service depot only upgrade option. Pod modules will not come with necessary components to perform this upgrade on XT15 NB.

Optional pistol grip

ST6000 Pistol grip kit for Standard pod scanners



ST6000
Pistol Grip Kit

! Pistol Grip upgrade for Narrowband SKUs is a service depot only option. Do not order ST6000 for XT15 NB Brick -> Gun upgrades having a pod module.

! Pistol Grip Kit comes with screws. Order stylus and tether separately

ST6000 only compatible with **Standard** Pod modules (ST9114 and ST9101) !



ST9210
HF RFID Reader Pod

Works with Speaker, Camera, GPS, Endcap-Scanner, WAN radios but not in combination with pistol grip. HF module not compatible with freezer, SE4600 or SE1524 !

XT15 End Cap Options

End-Cap Options

Standard Blank End Cap

ST9301	No Antenna
ST9401	GPS Antenna
ST9500	GPS and EDGE/Cellular Antennas
ST9600	GPS and HSPA+/Cellular Antennas

SE955 1D Standard Laser End Cap

ST9304	No Antenna
ST9404	GPS Antenna
ST9504	GPS and EDGE/Cellular Antennas
ST9604	GPS and HSPA+/Cellular Antennas

SE4500 2D Standard Imager End Cap

ST9314	No Antenna
ST9414	GPS Antenna
ST9514	GPS and EDGE/Cellular Antennas
ST9614	GPS and HSPA+/Cellular Antennas

Optional Pistol Grip

ST6300

Flush Mount Pistol Grip Kit for
End Cap Scanners

Pistol Grip Kit comes with
Stylus (ST6101) and screws 



ST9301
Blank End Cap



XT15 Battery Options

5300 mAh Battery



ST3003

Standard Battery Pack 5300 mAh, for Omnii XT15 Standard model, all configurations

5300 mAh Battery



ST3002

Arctic Freezer Battery Pack 5300 mAh; ships with XT15 Arctic; compatible with all XT15f models

5000 mAh Battery



ST3003-NI

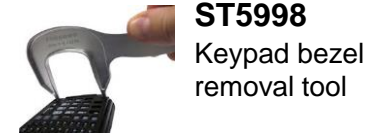
NI Spare Battery Pack 5000 mAH for XT15ni - Non-Incendive models only

Hazardous Environments

ST3003-NI exclusive to XT15NI, failing to comply will void UL rating



XT15 Keyboard and Keypad Options

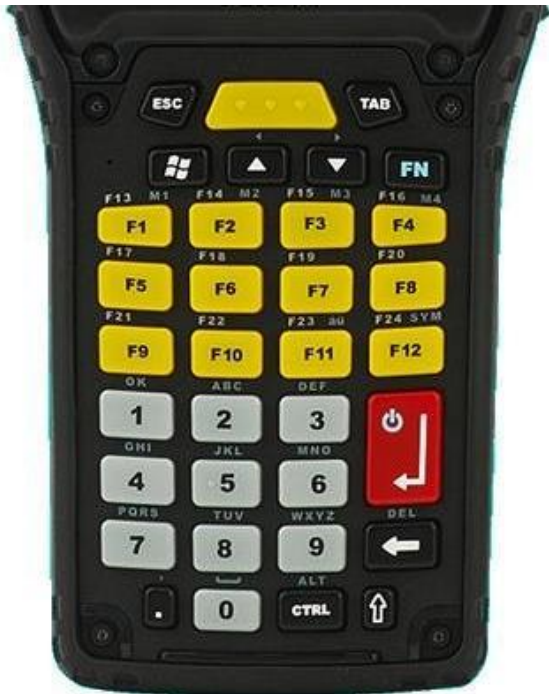


34 Key Numeric Telephony

ST5013

Large Numeric Keys
Alpha Character by SMS System

Replacement keypad part number:
ST5103



59 Key Shifted Alpha SAP

ST5017

Telephone Style Numeric
6 Function Keys – (no F5)

Replacement keypad part number:
ST5117



36 Key Modified Alpha

ST5012

Calculator style numeric keypad
12 Direct Function Keys

Replacement keypad part number:
ST5112



XT15 Keyboard and Keypad Options



ST5998

Keypad bezel
removal tool

36 Key Numeric Telephony

ST5011

Large Numeric Keys
12 Function Keys

Replacement keypad part number:
ST5111



55 Key Alpha Numeric

ST5004

Telephone Style Numeric
Alpha ABC Layout

Replacement keypad part number:
ST5104



66 Key QWERTY

ST5003

Telephone Style Numeric
Alpha QWERTY Layout

Replacement keypad part number:
ST5103



Replacement keypad comes with Keypad and Elastomer only, no PCB or bezel.
Regular keypad P/N comes with keypad, elastomer, PCB, overlay, screws.

All replacement keypads are available and can be changed on site,
without sending it to service depot.

XT15 Keyboard and Keypad Options



ST5998
Keypad bezel
removal tool

59 Key Alpha Numeric

ST5010

Telephone Style Numeric Keys
6 Function Keys

Replacement keypad part number:
ST5110



59 Key Alpha Num (ORACLE function keys)

ST5015

Telephone Style Numeric

Replacement keypad part number:
ST5115



66 Key QWERTY (ORACLE function keys)

ST5016

Alpha QWERTY Layout

Replacement keypad part number:
ST5116



XT15 Keyboard and Keypad Options



ST5998
Keypad bezel
removal tool

58 Key Freezer Keypad

ST5005

Alpha Numeric Keys
6 Function Keys

Replacement keypad part number:
ST5105



34 Key Freezer Keypad

ST5014

Telephone Style Numeric
12 Function Keys

Replacement keypad part number:
ST5114



Replacement keypad comes with Keypad and Elastomer only, no PCB or bezel.
Regular keypad P/N comes with keypad, elastomer, PCB, overlay, screws.

All replacement keypads are available and can be changed on site,
without sending it to service depot.

XT15 Operating Systems



Microsoft Windows
Embedded Handheld 6.5
Classic Edition



Operating System Configurations

Microsoft Windows embedded Handheld 6.5
Professional Edition

Microsoft Windows Embedded Compact 6.0

Microsoft Windows
Embedded Compact 6.0



OS in Local languages available for download on Zebra Support site <https://www.zebra.com/us/en/support-downloads/software/operating-system/omnii-xt15-operating-system.html>

XT15 Charging Methods



Single Slot Cradle Kit:

ST4002-WW (Worldwide)

Single Slot Docking Station Desktop USB
(**Includes:** Pwr Supply PWR-BGA12V50W0WW, DC Cable CBL-DC-385A1-01 & Active Sync Cable) **Requires:** Country Specific Grounded AC Line Cord separately

ST4003-WW (Worldwide)

Single Slot Docking Station Desktop USB
ETH/RS232 (**Includes:** Pwr Supply PWR-BGA12V50W0WW, DC Cable CBL-DC-385A1-01 & Active Sync Cable)
Requires: Country Specific Grounded AC Line Cord separately



The single slot cradle can charge a XT15 terminal, charges a spare battery and has USB master and slave connections.

Additional accessories for single slot cradle



PWR-BGA12V50W0WW

Level VI AC/DC Power Supply (Brick) AC Input: 100-240V, 2.4A DC Output: 12V, 4.16A, 50W

Requires: DC line cord and Country specific grounded AC line cord.



CBL-DC-385A1-01

DC Line Cord for running Omnii XT15 snap modules and cradles from a single Level VI power supply PWR-BGA12V50W0WW, Level VI replacement for ST1050 and ST1050-AR



PX3058

Micro USB Cable



ST4100

Cradle Ethernet / Serial XMOD Kit - adds Ethernet, Serial port to USB Only Single Slot Cradle (ST4002 or ST4002-AR)

XT15 Charging Methods



4 Slot Ethernet/Charging Cradle:

ST4004-WW

Four Slot Docking Station Quad Ethernet (**Includes** Pwr Supply PWR-BGA12V72W0WW)

Requires: Country Specific Grounded AC Line Cord separately

Ethernet Daisy Chain Capable

PWR-BGA12V72W0WW

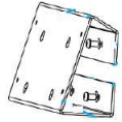
Level VI AC/DC Power Supply (Brick w/captive DC Cable) AC Input: 100-240V, 2.0A DC Output: 12V, 6A, 72W. **Requires:** Country specific grounded AC line cord.



Battery Charger



ST3006-WW 6 Slot Spare Battery Charger (**Includes** Pwr Supply PWR-BGA12V72W0WW)
Requires: Country Specific Grounded AC Line Cord separately



MT2031

Wall mount bracket for 6-slot spare battery charger

AC Line Cord	Description AC Line Cord	Associated Country
23844-00-00R	AC line cord, 7.5 feet long, grounded, three wire. Associated Country: US	US
50-16000-217R	AC Line Cord, 1.9M, grounded, three wire, AS 3112 plug. Associated Country: Australia, New Guinea	AU, PNG
50-16000-218R	AC Line Cord, 1.8M, grounded, three wire, NEMA 1-15P plug. Associated Country: Japan	JP
50-16000-219R	AC Line Cord, 1.8M, three wire, grounded BS1363 plug. Associated Countries: Hong Kong, Iraq, Malaysia, Singapore, United Kingdom	HK, IRQ, MYS, SGP, UK
50-16000-220R	AC Line Cord, 1.8M, grounded, three wire CEE 7/7 plug. Associated Countries: Europe, Abu Dhabi, Bolivia, Dubai, Egypt, Iran, Korea, Russia, Vietnam	EU, ARE, BOL, ARE, EGY, IRN, KOR, RUS, VNM
50-16000-256R	AC Line Cord, 1.8M, grounded, three wire, CEE7/7 plug. Associated Country: Korea	KOR
50-16000-257R	AC Line Cord, 1.8M, grounded, three wire, IEC 60320 C13 plug. Associated Country: China	CHN
50-16000-669R	AC Line Cord, 1.9 M grounded, three wire, BS 546 Plug. Associated Country: India	IND
50-16000-671R	AC Line Cord, 1.8M grounded, CIE 23-16 plug. Associated Country: Italy	ITA
50-16000-672R	AC Line Cord, 1.9M grounded, three wire, S132 Plug. Associated Country: Israel	ISR
50-16000-727R	AC Line Cord, 1.9M grounded, three wire. Associated Country: Brazil	BRA

XT15 Charging Methods



Vehicle cradle:

ST1000

Un-powered Vehicle cradle – designed to securely mount XT15, does not provide any power or peripheral ports

ST1002

Powered Vehicle cradle 12v-30v - Charges XT15 and also supports Power, USB, RS232 Serial connections. Cables for Power, USB, RS232 ordered separately

Optional Accessories



CA3002

Vehicle Cradle Cigarette Lighter Adapter



PS1350

Pre-regulator module required when connecting the vehicle cradle to power sources above 20V to a maximum of 72V.



MT3324 MT3325

! When using the vehicle cradle, the universal RAM mount arm is required (Order separately 5" or 8" arm)

! A base or clamp is required as vehicle side attachment (Order separately MT3501, MT3502, MT3505, MT3507, MT3509, MT3510)



CA3000
Power only

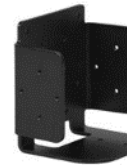


CA3001
Power + Connector block
with 2 USB + RS232



CA1210
Connects power
cable to vehicle
battery

! For powered connection, must order a power cable 9-20V input (CA1210) or the vehicle power outlet adapter cable (CA3000, CA3001)



MT3327 has USB RS232
connector block mount
capability



MT3328 – RAM
mount vertical



MT3326 – RAM
mount horizontal

! A mounting bracket is required when vehicle cradle's RAM mount is anchored to horizontal/vertical surface (Order separately MT3327, MT3326, MT3328)

XT15 Mobile Charging Options

Charge only Module



ST4000

Provides device charging connection

USB/Charge Module



ST4001

Provides Micro USB/B, USB/A and charging connections

RS232/Charge Module



ST4005

Provides RS232 DE9 and charging connections

All Snap-on modules require ST1050/ST1050-AR Power Supply for AC charging OR ST3113 Cigarette Lighter Adapter for in-vehicle charging

ST4001 also requires PX3058 Micro USB Cable to support ActiveSync connections

! ST4005 (DE9 connectivity) is not compatible with XT15 Narrowband configurations.

ST3113

Auto Charge/Cigarette Lighter Adapter Cable, 12V DC input



XT15 Carrying Accessories

Rubber Boots

ST6080 Rubber Boot for units with **Standard Back Cover** (Yellow or Grey ST6081)

ST6086 Rubber Boot (Blue) for **Freezer units with Standard Back Cover** 

ST6082 Rubber Boot for units with **Expansion Back Cover** (Yellow or Grey ST6083)

ST6084 Rubber Boot for units with **Expansion Back Cover and End Cap scanner** (Yellow or Grey ST6085)

Optional shoulder strap for rubber boots

CV6021 Shoulder strap for use with all rubber boots



ST6084
Rubber Boot for Units with
Expansion Back cover and
End cap scanner



ST6080
Rubber boot for units with
Standard Back Cover

XT15 Carrying Accessories

Soft Shell Holsters

Compatible with Pistol Grip units 



ST6050

Soft shell holster
Includes waist belt and leg strap



ST6091

Soft Shell Pouch with Belt Clip



Not compatible with Pistol Grip

Other Holsters



ST6055

Hard Shell/Form Fit Holster for units with Standard Back Cover. **ST6056** for units with Expansion Back cover and Std Pods



ST6051

Forklift
Holster



ST6052

Forklift Holster, supports
Rubber Boot (ST6086)

Carry Case



ST6090

Carry Case for units with
Standard Back cover

ST6092

Carry Case for units with
Expansion Back cover

ST6093

Carry Case for units with
Expansion Back cover and
End Cap Scanner – Non FCC
country approved

Compatible with Pistol Grip units 

XT15 Carrying Accessories

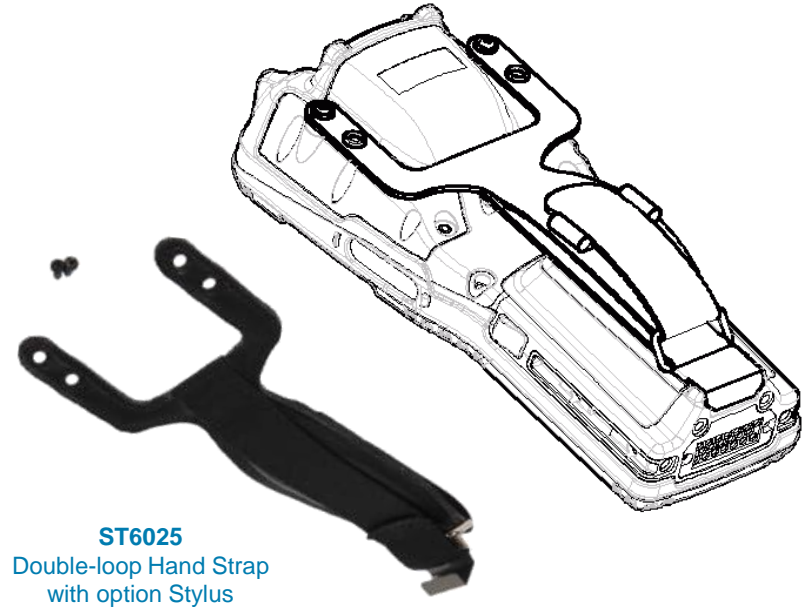
Hand Straps

- ST6025** Adjustable double-loop hand strap
- ST6026** Non-adjustable and elastic hand strap (recommended for use with vehicle cradle)

Hand Straps include a storage option for stylus !

Miscellaneous

- ST6040** Wrist Strap
- ST6101** Short Yellow Stylus (Pack of 3)
- ST6102** Long Grey Stylus (Pack of 3)
- ST6103** Tethers for Stylus (Pack of 3)
- ST6310** Stylus Holder
- RV6105** Screen Protector/Guard



ST6025
Double-loop Hand Strap
with option Stylus



ST6040
Wrist Strap

ST6310
Stylus Holder

