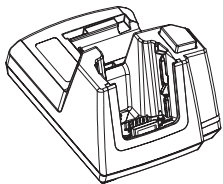


CONTENTS OF THE BOX



Docking Station ST4002 or ST4003



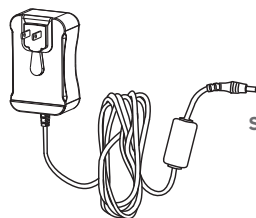
This Guide



USB Micro-B to Type A cable



Omnii Accessories
Regulatory & Warranty Guide



ST1050 AC Power Supply with regional adaptors

FEATURES

OPERATION

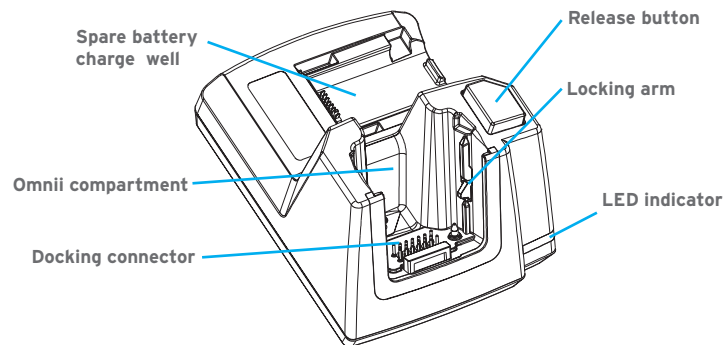
The **ST4002 and ST4003 Desktop Docking Stations** both feature:

- > Fast charging of the Omnii internal battery.
- > Fast charging of the spare battery pack.
- > A Host USB port to connect peripherals such as a printer, keyboard, etc.
- > A Client USB port to connect the docking station to a PC.

The **ST4003 Desktop Docking Station** additionally provides:

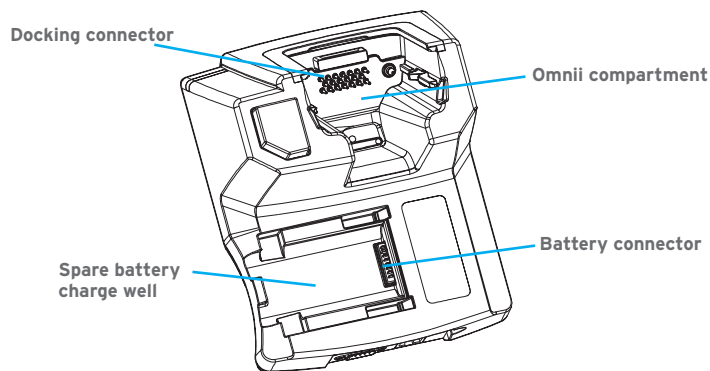
- > A DE9M serial port (unpowered).
- > An RJ45 10Base-T Ethernet interface. Both these interfaces are compatible with the USB to Ethernet/serial drivers included in Omnii.

FRONT

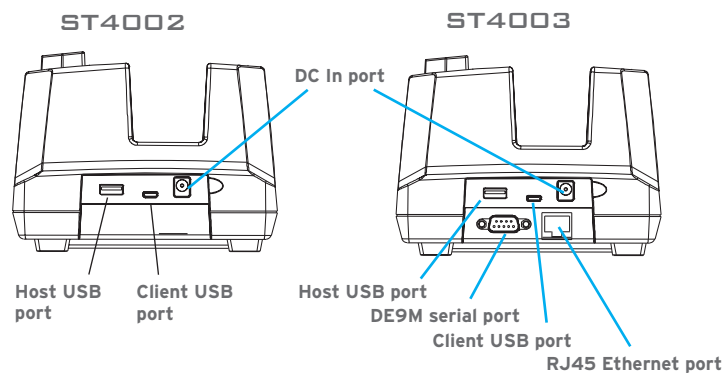


FEATURES

BACK AND BATTERY CHARGE WELL



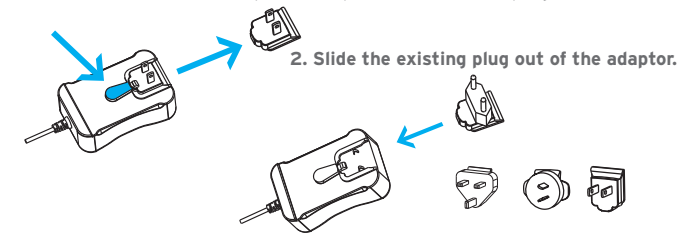
REAR PORTS



GETTING STARTED

1 Choose a plug for the Universal Power Adaptor.

1. Press the button on the power adaptor to release the plug.

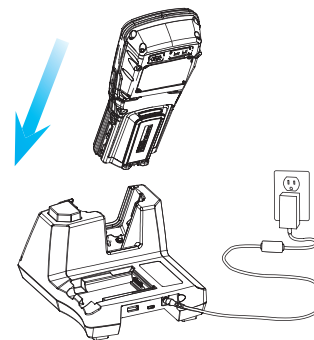


2. Slide the existing plug out of the adaptor.

3. Slide the desired plug into the adaptor until it clicks.

2 Insert Omnii to charge its battery.

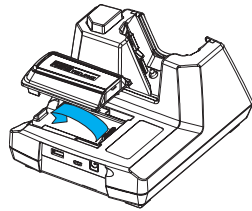
Slide Omnii into the Docking Station until it latches.



Note: Use only the universal AC power supply approved by Pision for use with the Docking Station.

3 Insert the spare battery.

Place the battery contacts down to mate with the connector, then pivot the battery into place in the battery charge well.



- > During charge, the LED indicator on Omnii flashes GREEN.
- > When finished charging, the indicator displays solid GREEN.
- > The LED indicator on the Docking Station behaves the same when a spare battery is being charged.

4 Allow Omnii and the spare battery to charge for 3-4 hours before first use.

The spare battery may require an extra 4 hours to charge if an Omnii is also docked.

Note: Full battery performance is only reached after the first few charge/discharge cycles.



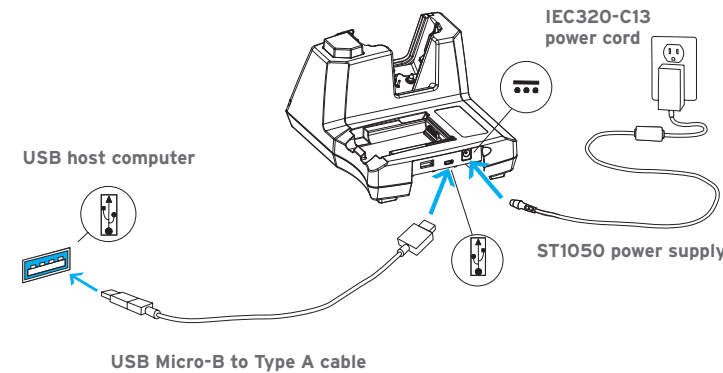
Docking Station Battery Charge LED Behaviour

Charge LED Behaviour	Function
OFF	No battery detected.
Solid Green	Battery charging complete.
Flashing Green	Charge in progress.
Flashing Yellow	Battery is not charging due to out-of-temperature conditions.
Solid Red	Unable to read battery or non Psion battery.

CONNECTING THE DOCKING STATION TO A HOST COMPUTER

Omnii acts as a USB Client in the Docking Station.

1. Connect the smaller end of the USB cable to the Docking Station (ST4002 shown).
2. Connect the flat end of the USB cable to the host computer.



© Copyright 2011 by Psion Inc.

2100 Meadowvale Boulevard, Mississauga, Ontario, Canada L5N 7J9

<http://www.pSION.com>

Psion, the Psion logo, and the names of other products and services provided by Psion are trademarks of Psion Inc. All trademarks used herein are the property of their respective owners.



Omnii

DESKTOP DOCKING STATIONS

QUICK START GUIDE



August 2, 2011
PN 8000203.C

ISO 9001 Certified
Quality Management System