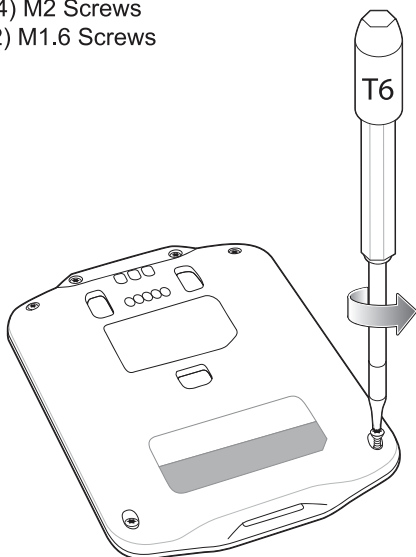


SB1 BATTERY INSTALLATION GUIDE

Required:

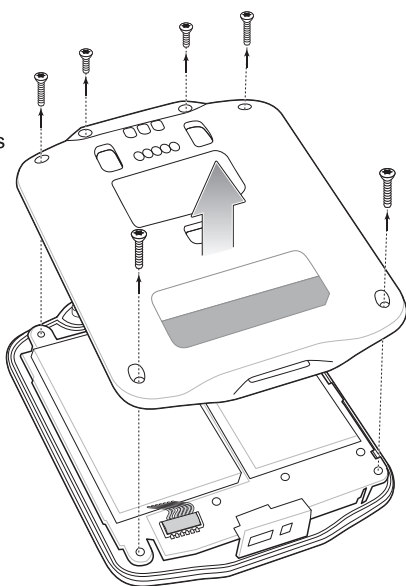
- Battery
- Four (4) M2 Screws
- Two (2) M1.6 Screws

1



2

Discard screws

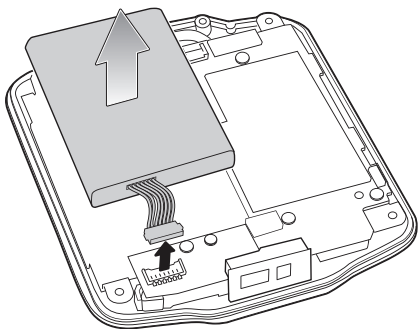


MN00007A02 Rev A - April 2015

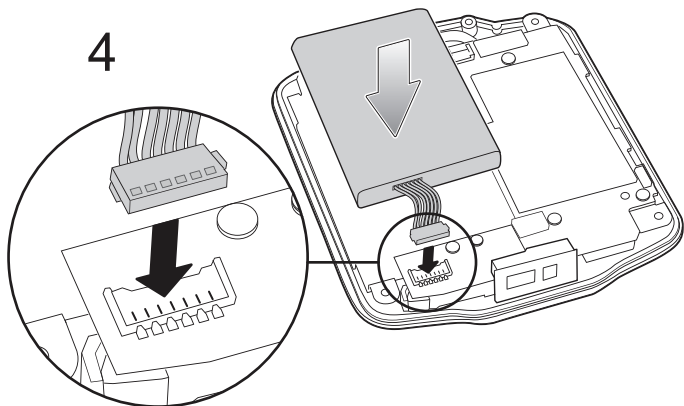
Zebra Technologies Corporation
Lincolnshire, IL U.S.A.
<http://www.zebra.com>



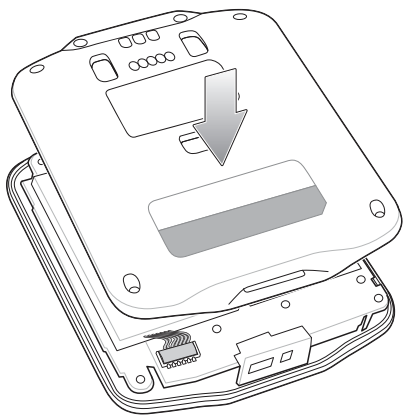
3



4

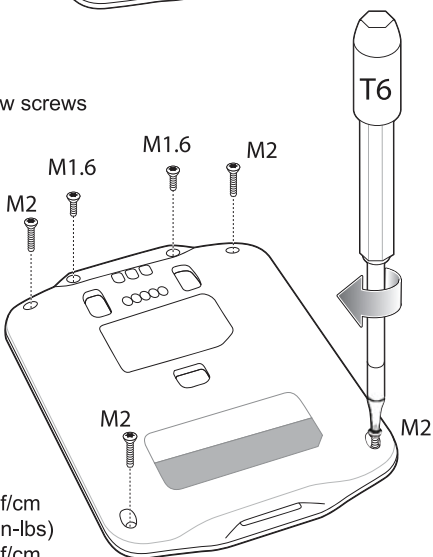


5



6

Use new screws



Torque:

M1.6 - 1.6 +/- 0.1 kgf/cm
(1.4 +/- 0.09 in-lbs)

M2 - 2.2 +/- 0.1 kgf/cm
(1.9 +/- 0.09 in-lbs)