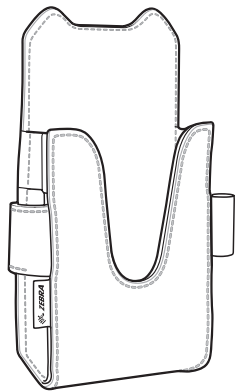


TC51/TC56



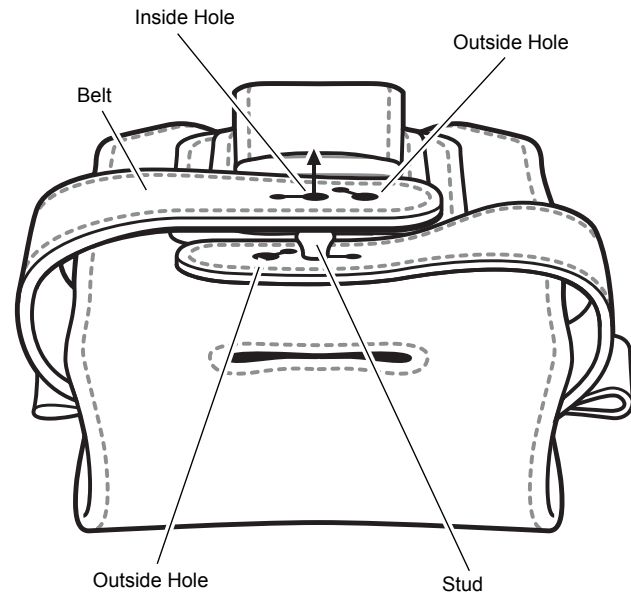
Soft Holster

User Guide

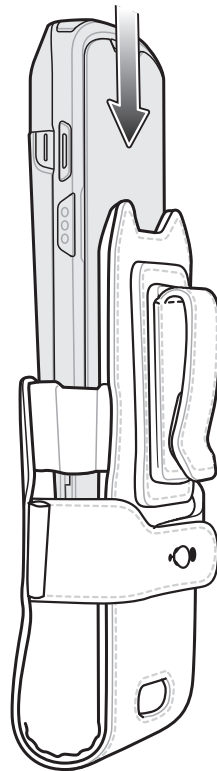


Device Only

Place the two inside holes of the belt onto the stud.

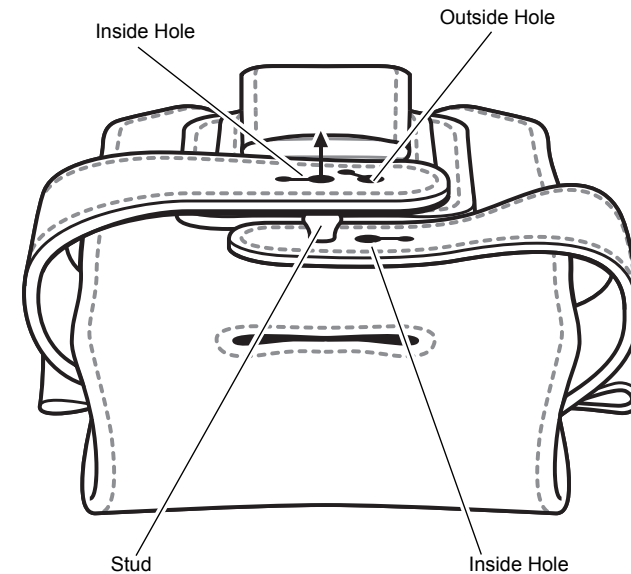


Insert the device, with display facing in and the scanner facing up into the holster.

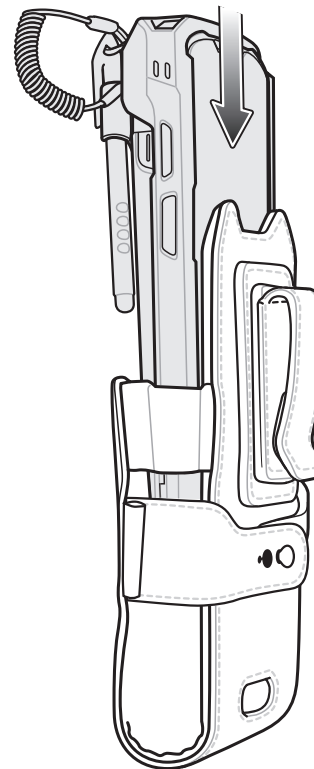


Device With Rugged Boot

Place one inside hole and one outside hole of the belt onto the stud.



Insert the device with Rugged Boot, with display facing in and the scanner facing up into the holster.



Zebra reserves the right to make changes to any product to improve reliability, function, or design. Zebra does not assume any product liability arising out of, or in connection with, the application or use of any product, circuit, or application described herein. No license is granted, either expressly or by implication, estoppel, or otherwise under any patent right or patent, covering or relating to any combination, system, apparatus, machine, material, method, or process in which the products might be used. An implied license exists only for equipment, circuits, and subsystems contained in Zebra products.



Zebra Technologies Corporation
3 Overlook Point
Lincolnshire, IL, U.S.A.

Zebra and the stylized Zebra head are trademarks of ZIH Corp., registered in many jurisdictions worldwide. All other trademarks are the property of their respective owners.

© 2016 Symbol Technologies LLC, a subsidiary of Zebra Technologies Corporation. All rights reserved.

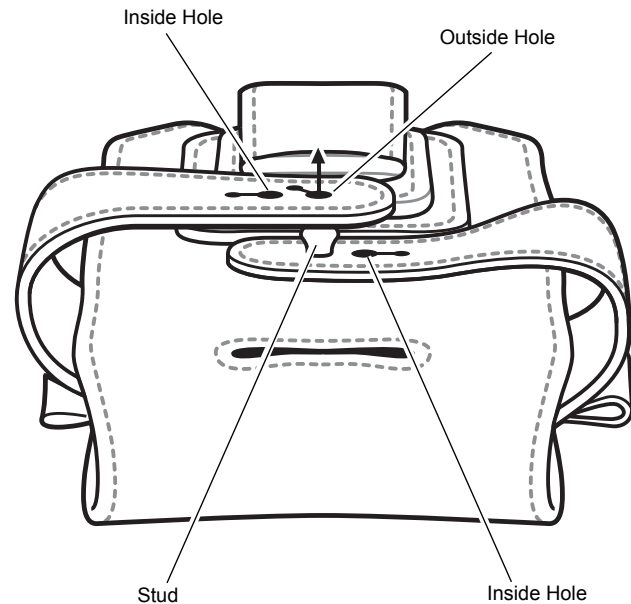


MN-002911-01 Revision A — August 2016



With Trigger Handle

Place the two outside holes of the belt onto the stud.



Insert the Trigger Handle, with display facing in and the scanner facing down into the holster.

