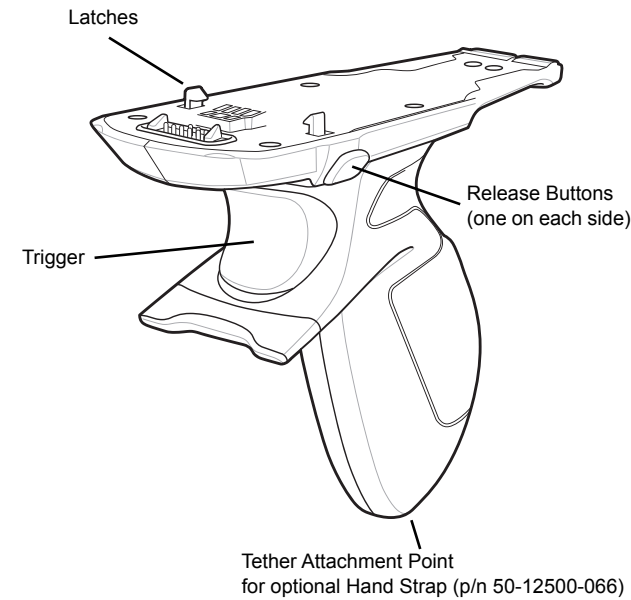


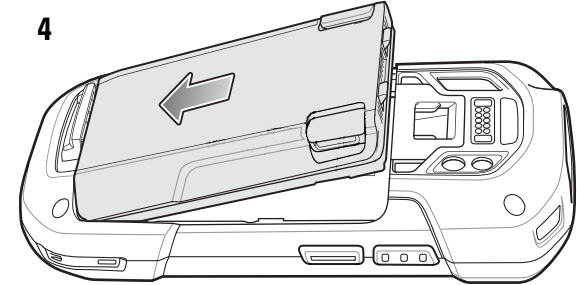
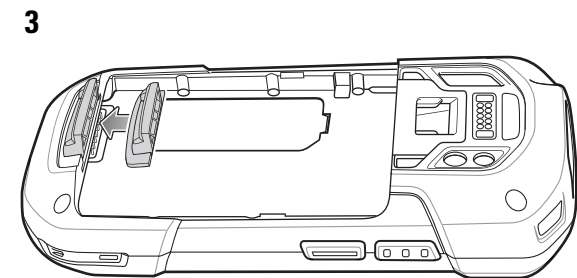
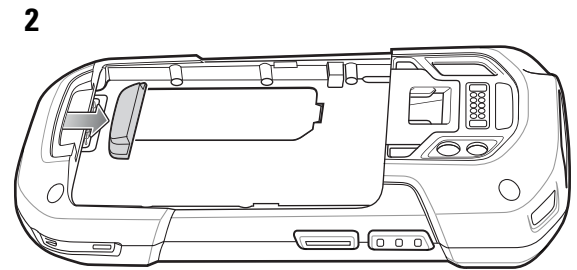
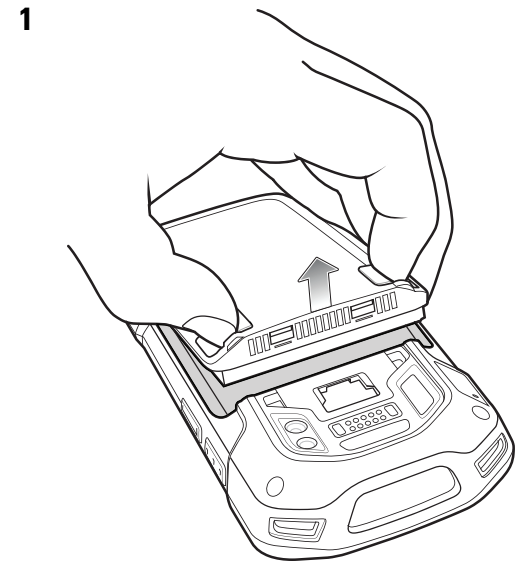
TC7X TRIGGER HANDLE INSTALLATION GUIDE



Features



Installation



Zebra reserves the right to make changes to any product to improve reliability, function, or design. Zebra does not assume any product liability arising out of, or in connection with, the application or use of any product, circuit, or application described herein. No license is granted, either expressly or by implication, estoppel, or otherwise under any patent right or patent, covering or relating to any combination, system, apparatus, machine, material, method, or process in which the products might be used. An implied license exists only for equipment, circuits, and subsystems contained in Zebra products.



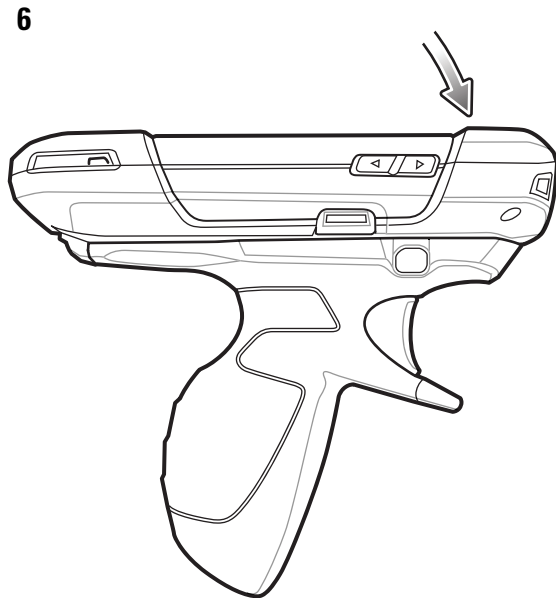
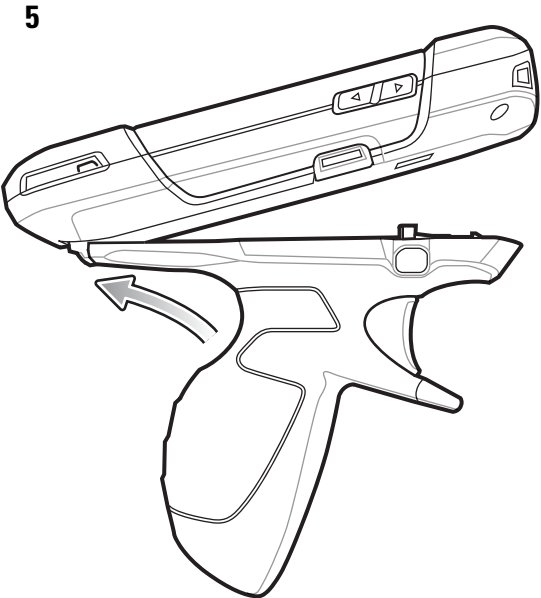
Zebra Technologies Corporation
Lincolnshire, IL, U.S.A.

Zebra and the stylized Zebra head are trademarks of ZIH Corp., registered in many jurisdictions worldwide. All other trademarks are the property of their respective owners.

© 2015 ZIH Corp and/or its affiliates. All rights reserved.



MN001845A01 Revision A — April 2015



Removal

