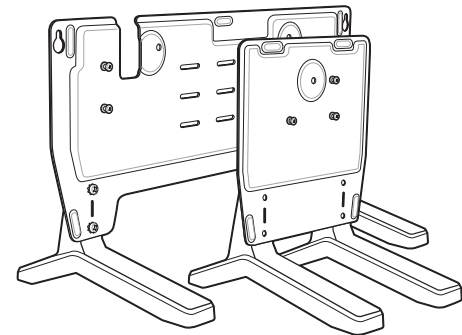


# TC8000



## Desk Mount

## Installation Guide

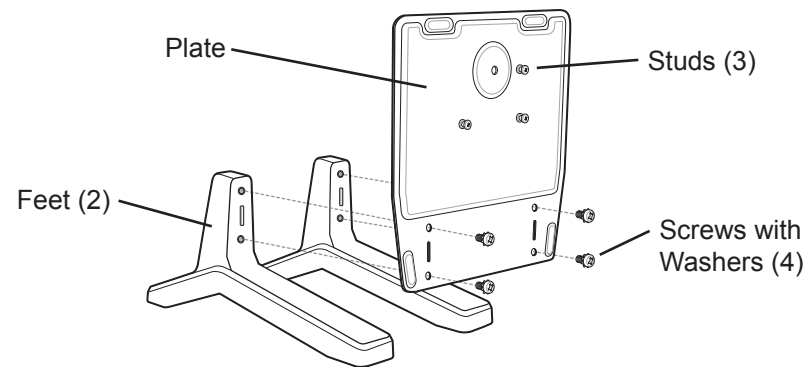


### NOTE:

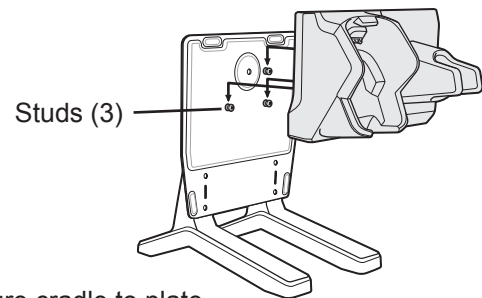
The instructions in this guide provides installation procedures for installing 2-Slot and 5-Slot cradles. The illustrations shown are for a specific cradles. The actual look and cable requirements may vary depending upon the cradles you are installing.

### 2-Slot Desk Mount Assembly

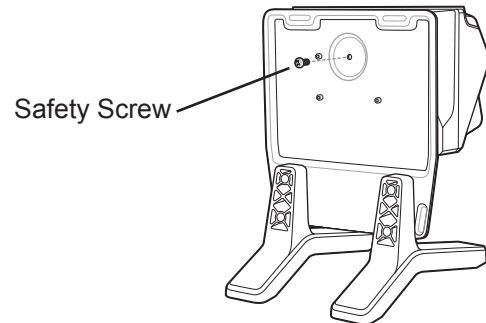
1. Secure three M2.5 studs into plate mounting holes.
2. Align plate mounting holes with holes in feet.



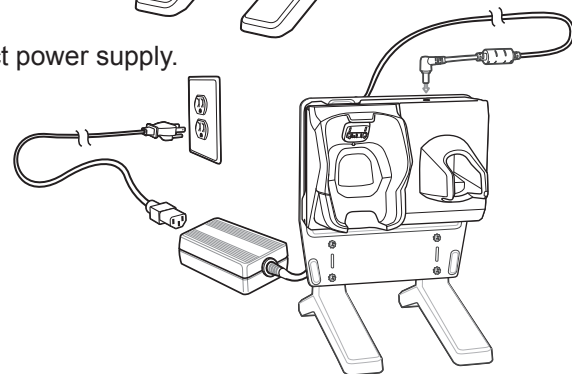
3. Secure plate to feet with four M5 screws and four washers.
4. Align mounting slot on bottom of cradle with studs on plate.



5. Secure cradle to plate using M3 safety screw.

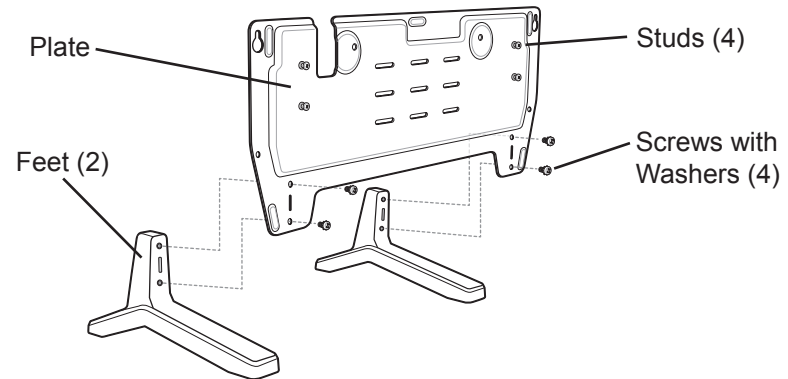


6. Connect power supply.

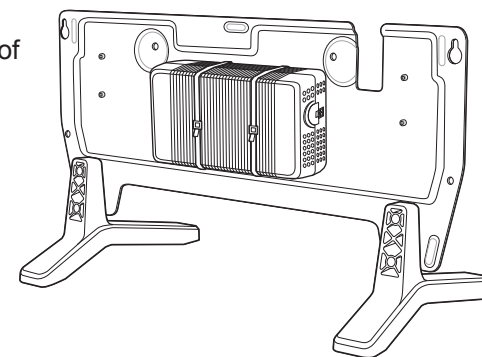


### 5-Slot Desk Mount Assembly

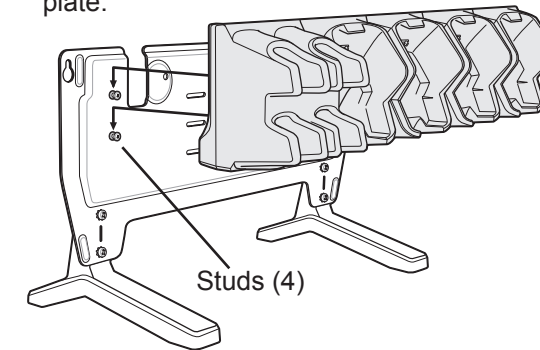
1. Secure four M2.5 studs into plate mounting holes.
2. Align plate mounting holes with holes in feet.



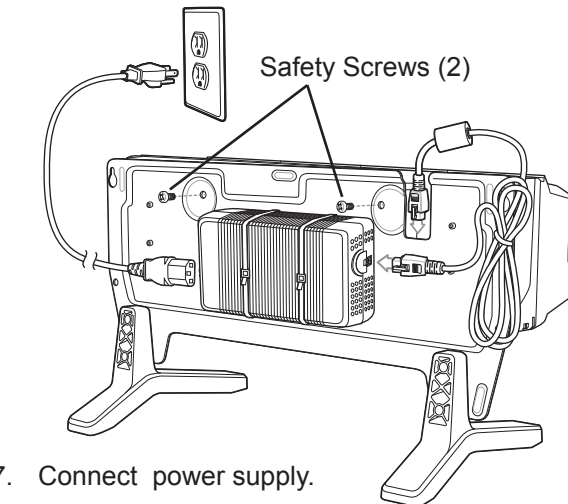
3. Secure plate to feet with four M5 screws and four washers.
4. Secure power supply to rear of plate with tie wraps.



5. Align mounting slot on bottom of cradle with studs on plate.



6. Secure cradle to plate using two M5 safety screws.

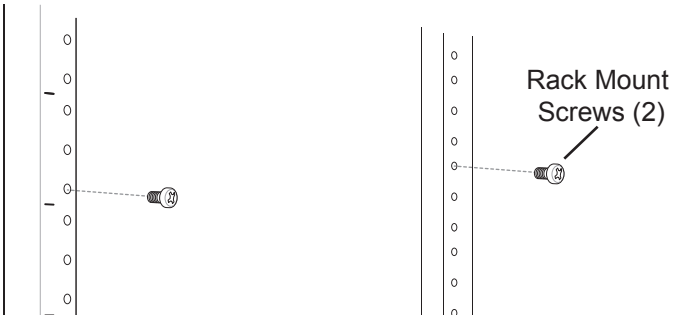


7. Connect power supply.

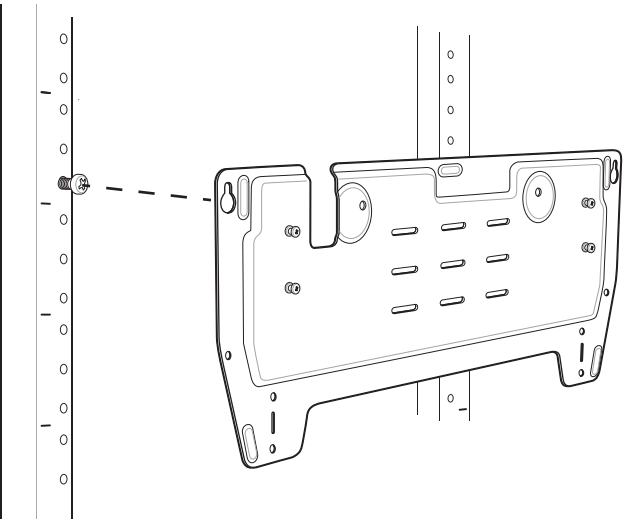
# 5-Slot Desk Mount on Rack

**NOTE:** When mounting plate to rack, use screws provided with rack system. Refer to rack user documentation for instructions.

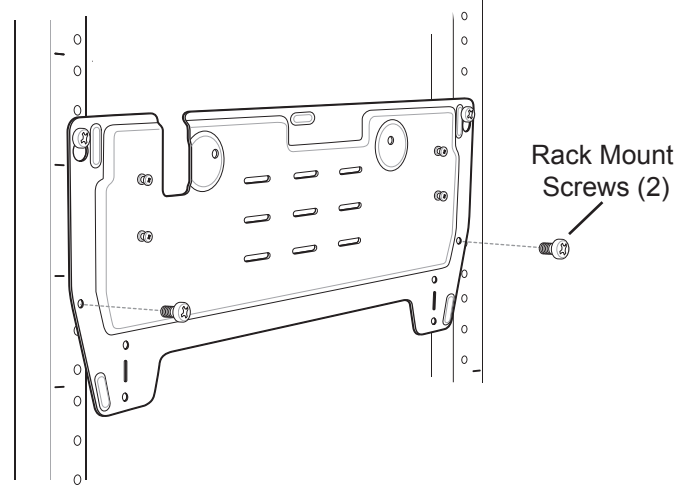
1. Secure four M2.5 studs to plate.
2. Install top two rack mount screws. Leave partially out half way.



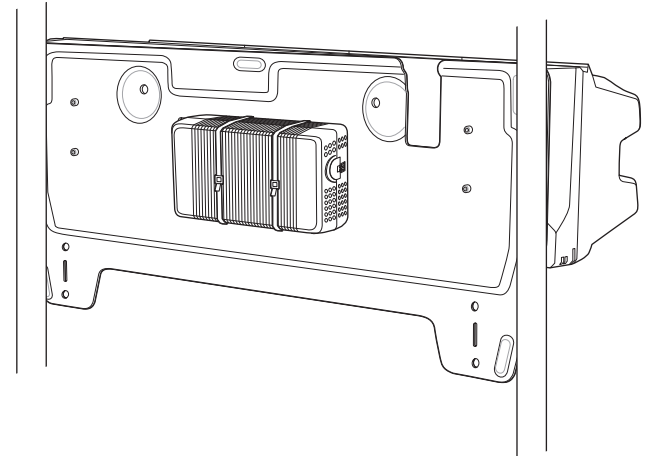
3. Align plate with the top two rack screws.



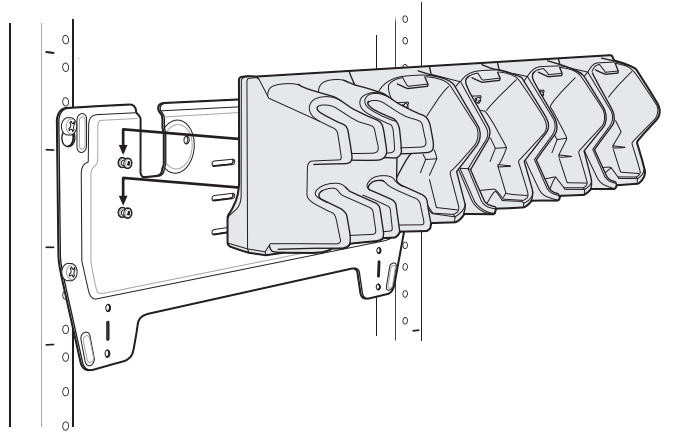
4. Install bottom two rack mount screws.



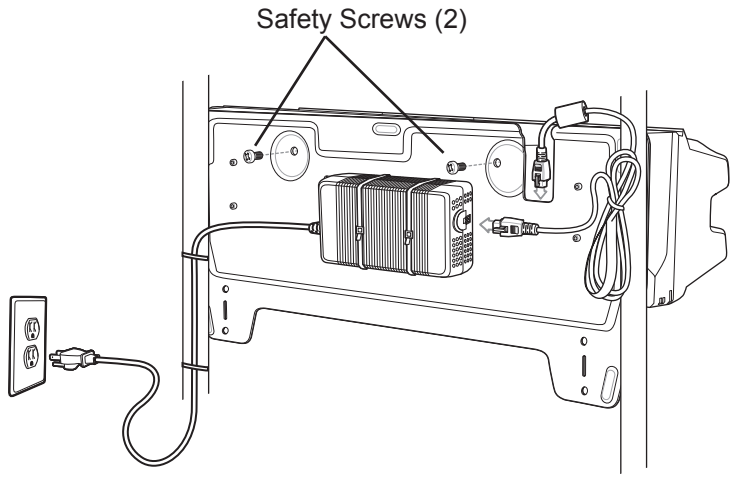
5. Secure all four rack mount screws.
6. Secure power supply to rear of plate with tie wraps.



7. Align mounting slots on bottom of cradle with studs on plate.



7. Secure cradle to plate using two M5 safety screws (provided with plate).



7. Connect power supply.

**ZEBRA**  
 Zebra Technologies Corporation  
 3 Overlook Point  
 Lincolnshire, IL 60069, U.S.A.

Zebra and the stylized Zebra head are trademarks of ZIH Corp., registered in many jurisdictions worldwide. All other trademarks are the property of their respective owners.  
 © 2015 ZIH Corp and/or its affiliates. All rights reserved.



MN002413A01 Rev. A — November 2015

