



Rack/Wall Mount Bracket

Installation Guide



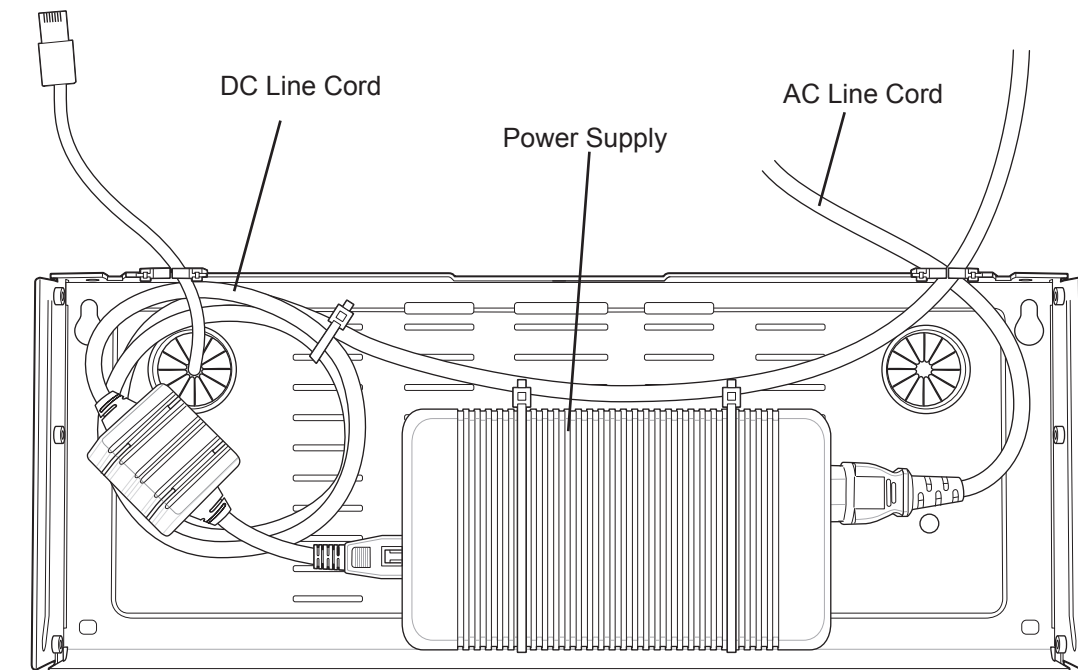
Introduction

NOTE:

The instructions in this guide provides installation procedures for installing 5-Slot cradles are 4-Slot Battery charges. The illustrations shown are for a specific cradle/charger. The actual look and cable requirements may vary depending upon the cradle/charger you are installing. Refer to the product Integrator Guide for detailed installation instructions.

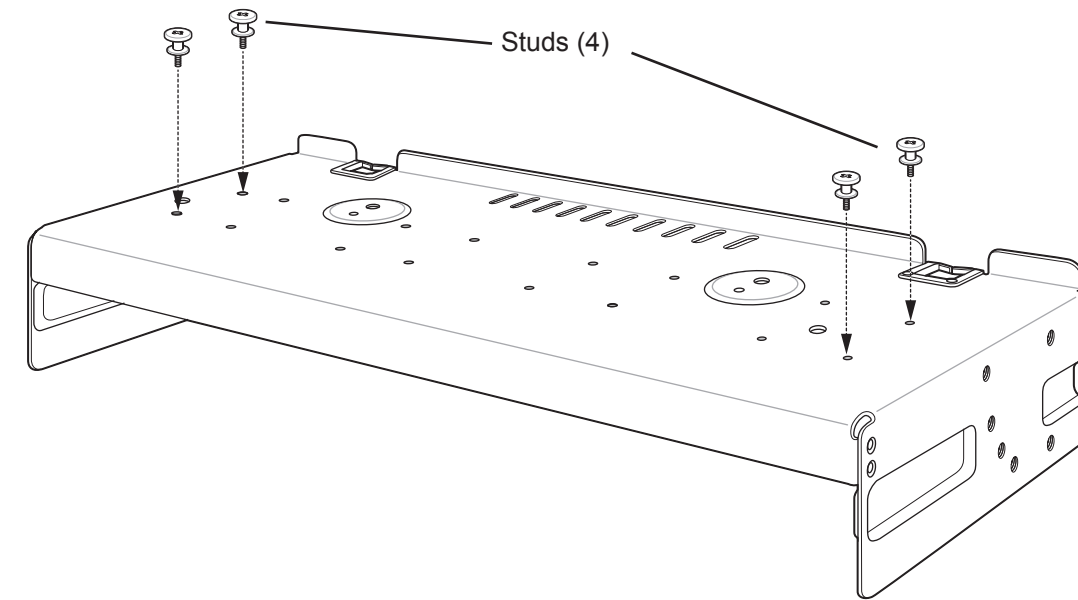
Assembly 5-Slot Cradle on Bracket

1. Place power supply in bottom tray.
 2. Connect AC line cord to power supply.
 3. Connect DC line cord to power supply.
 4. Secure power supply and cables to bottom section with tie wraps.
- NOTE:** Ensure tie wrap buckle is on side of power supply. Tie wrap buckle on top of power supply interferes with top tray.
5. Route cables through cable slots.

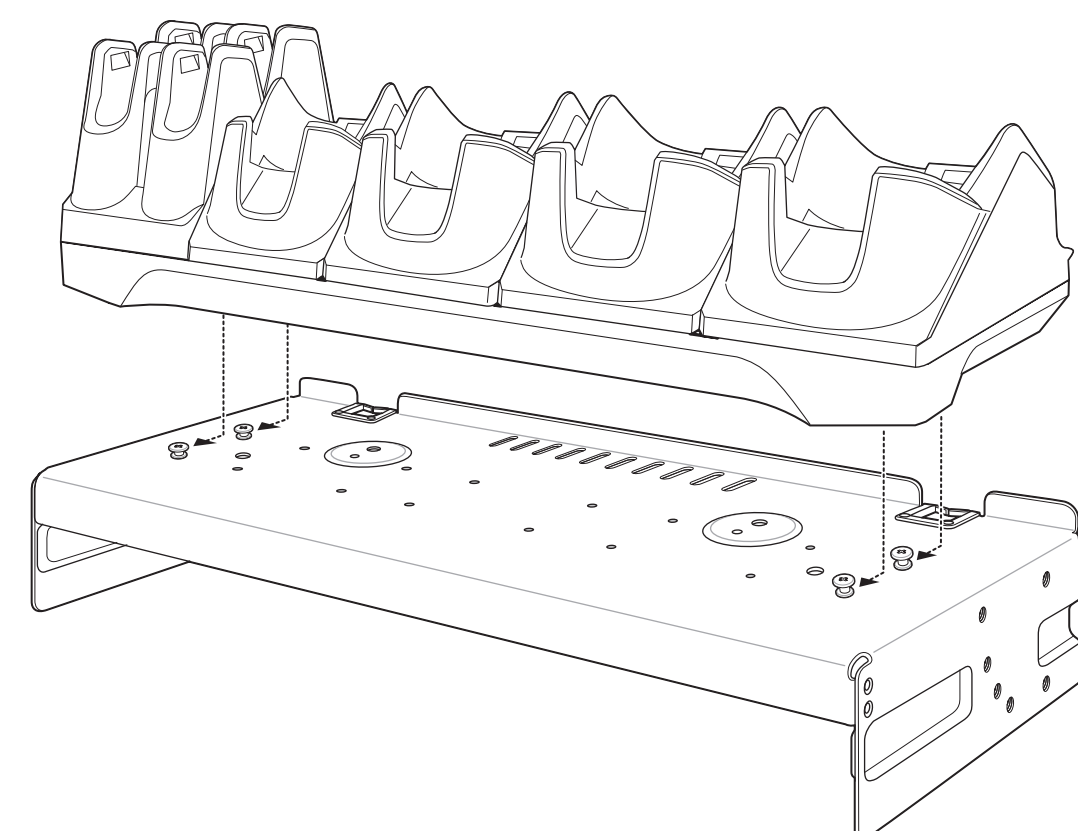


NOTE : For wall mount installations, see Wall Mounting section on next page.

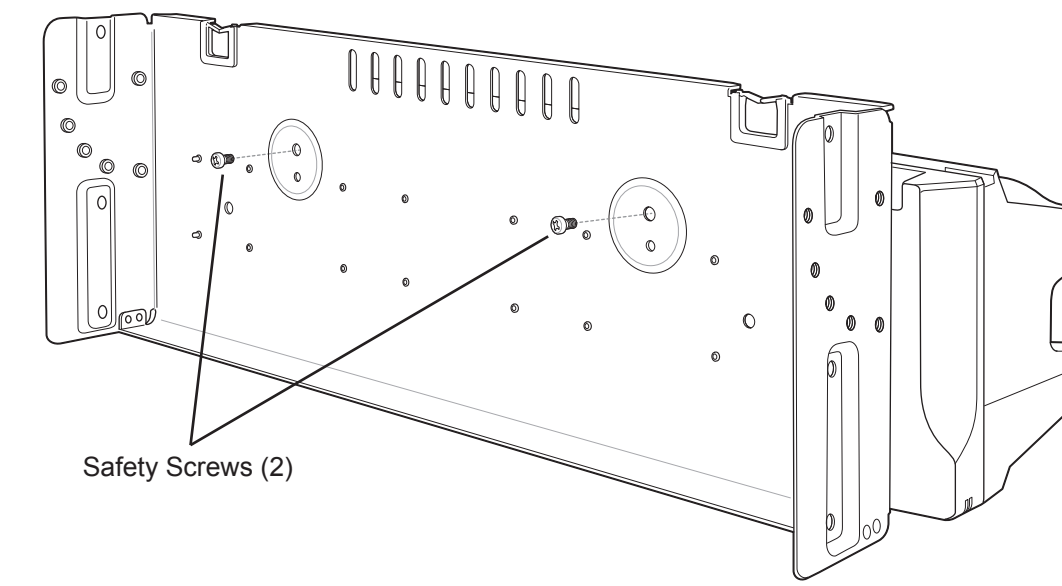
5. Secure four M2.5 studs to top tray.



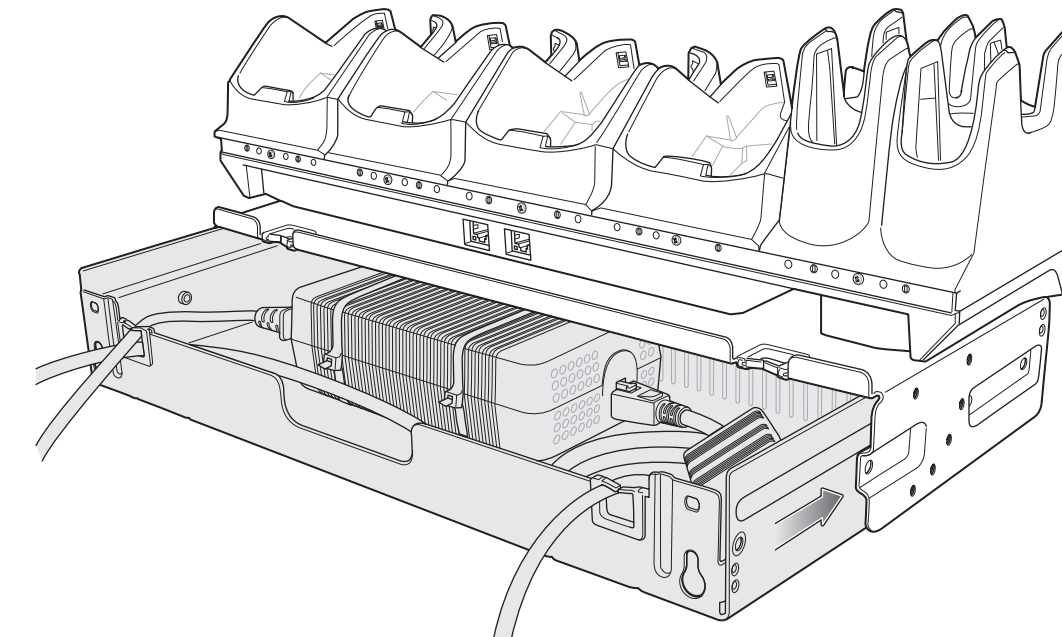
6. Align and install 5-Slot cradle onto studs of top tray.



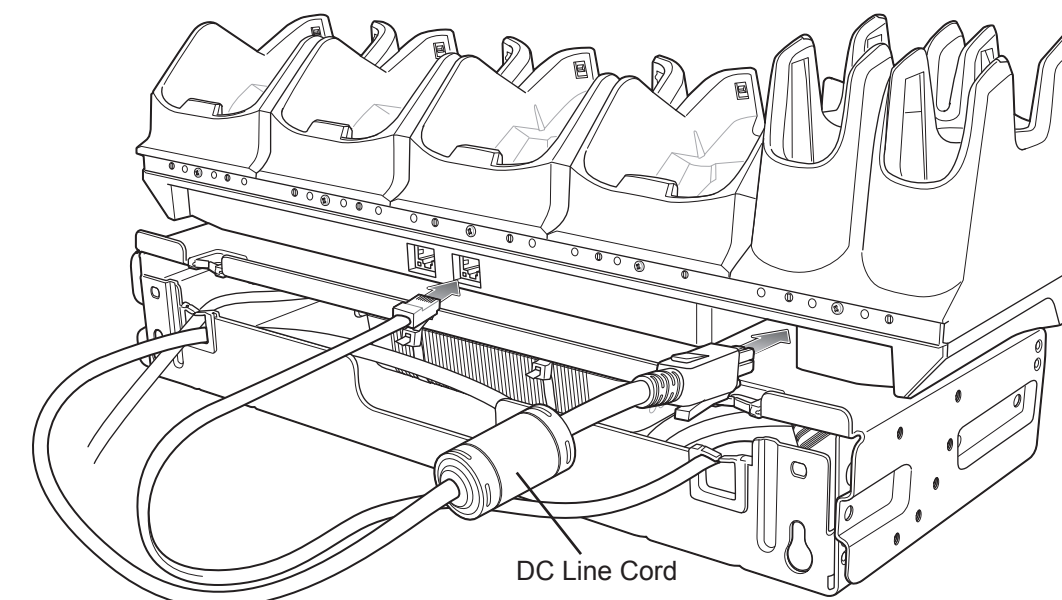
7. Secure cradle to top tray with two M2.5 safety screws.



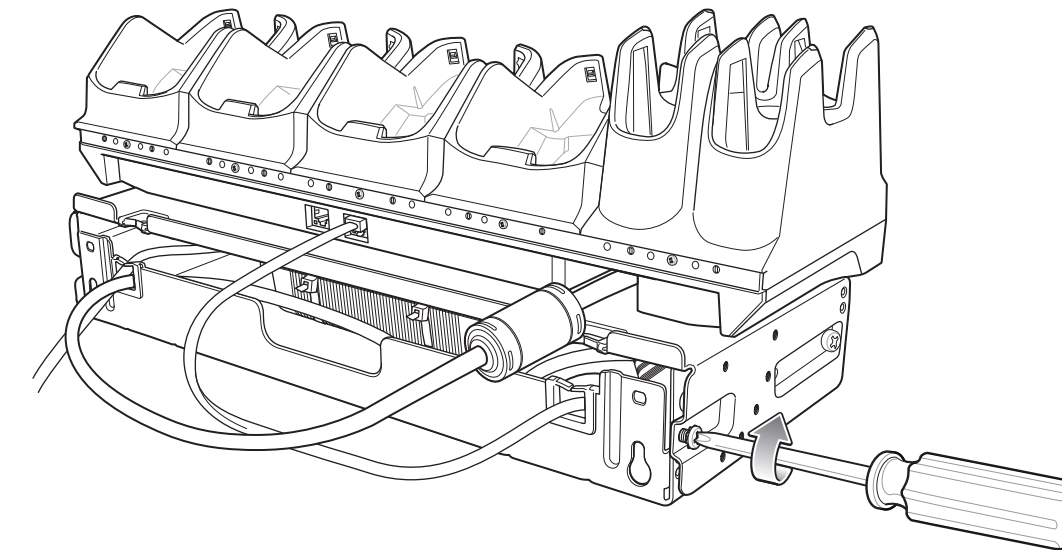
8. Slide top tray onto bottom tray.



9. Connect cables to cradle.

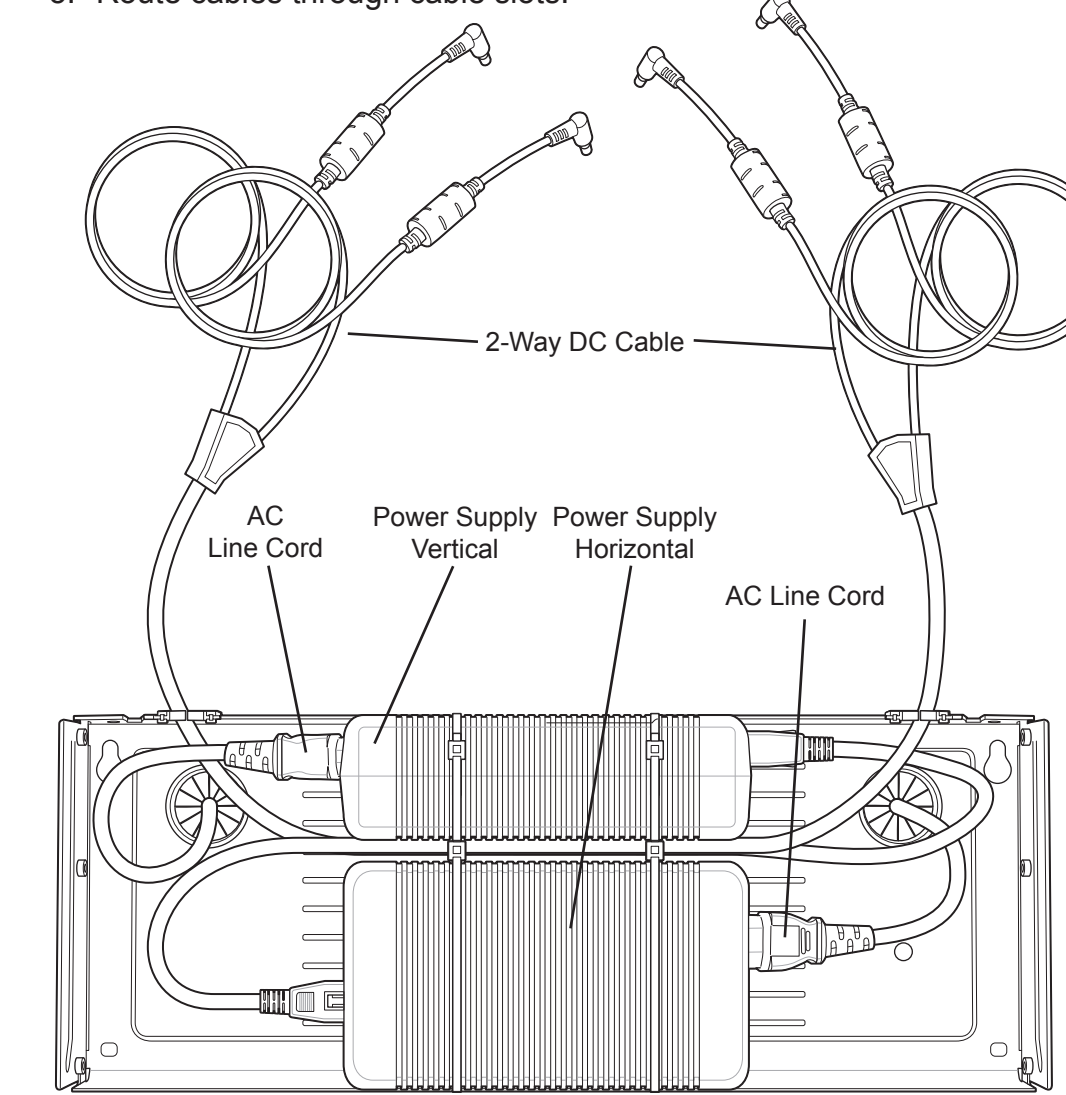


10. Secure top tray to bottom tray with 4 M5 screws (two on each side).



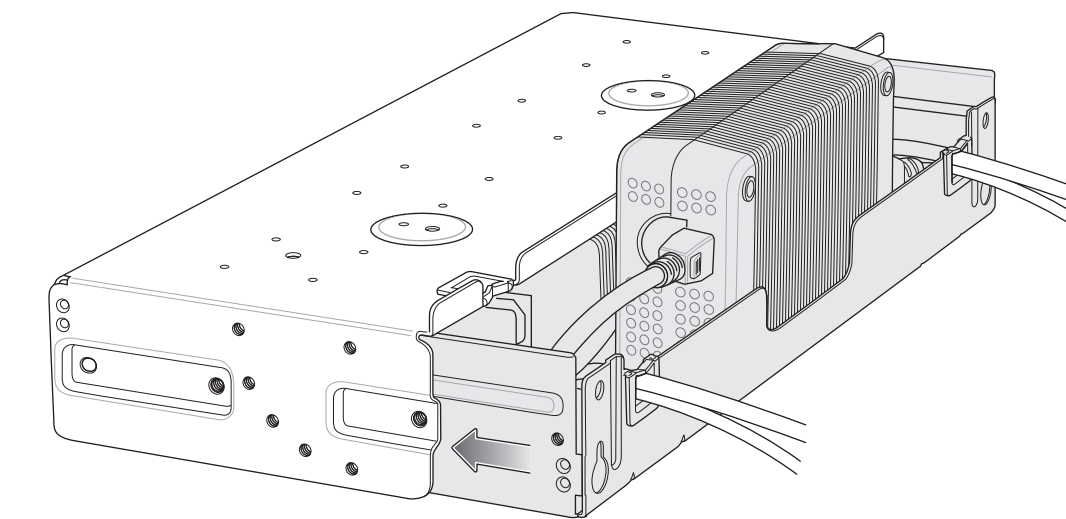
Assembly 4-Slot Battery Chargers on Bracket

1. Place one power supply horizontally in bottom tray.
2. Place one power supply vertically in bottom tray.
2. Connect AC line cords to power supplies.
3. Connect DC line cords to power supplies.
4. Secure power supplies and cables to bottom tray with tie wraps.
5. Route cables through cable slots.

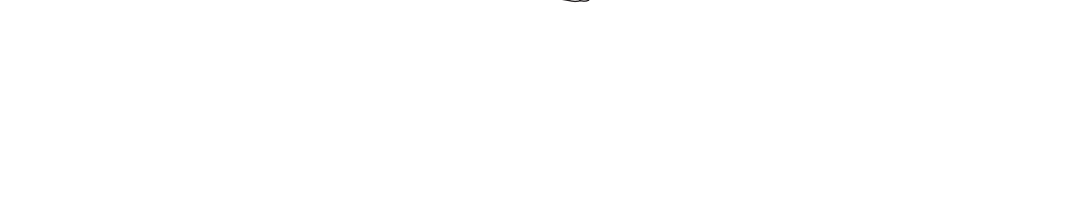
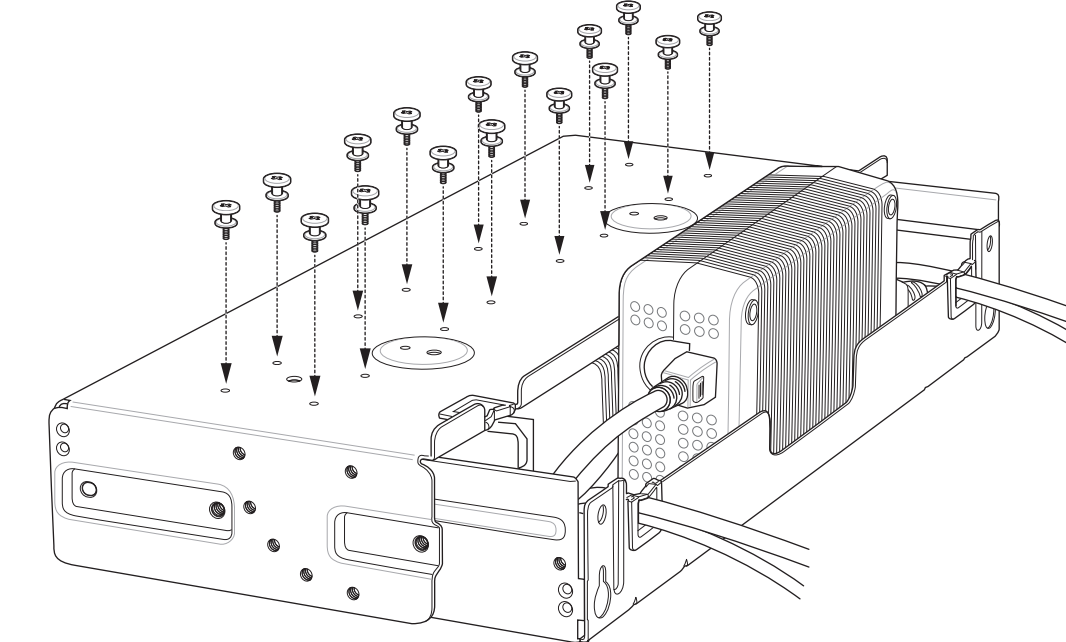


NOTE : If bracket is indented to be installed in wall, go to wall mounting section in next page.

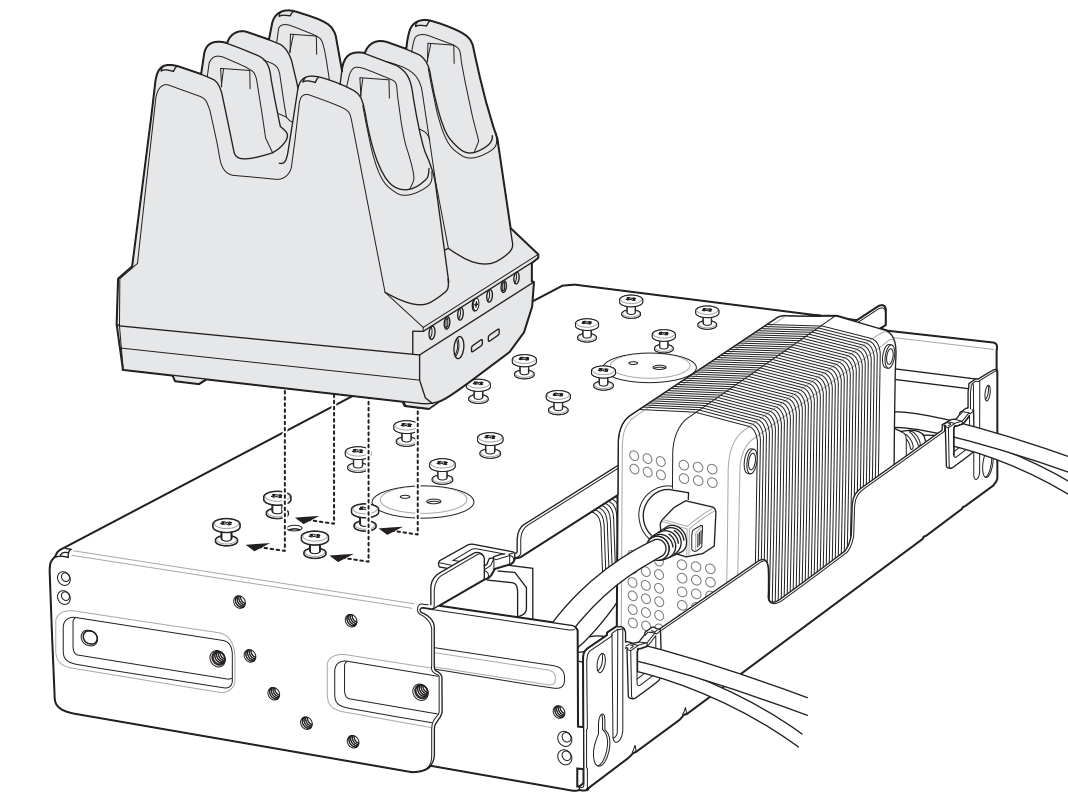
6. Slide top tray onto bottom tray until top tray touches vertical power supply.



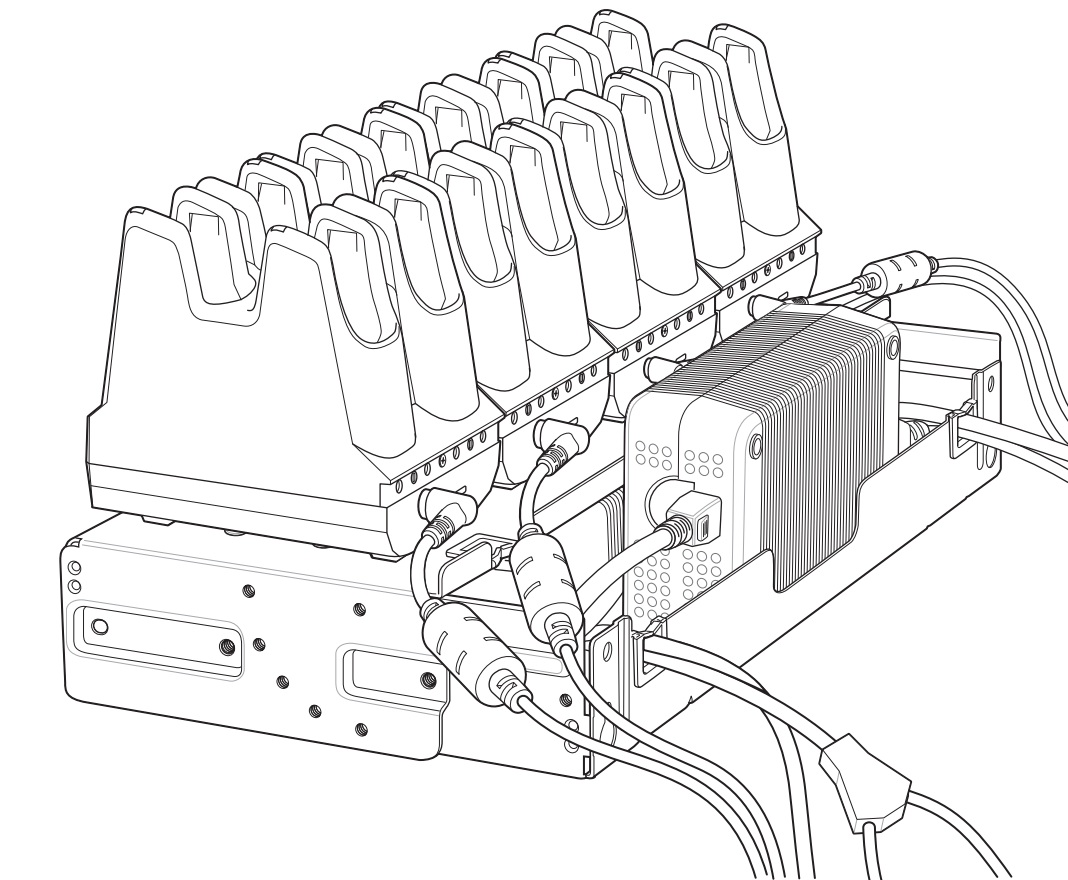
7. Install 16 M2.5 studs onto top tray.



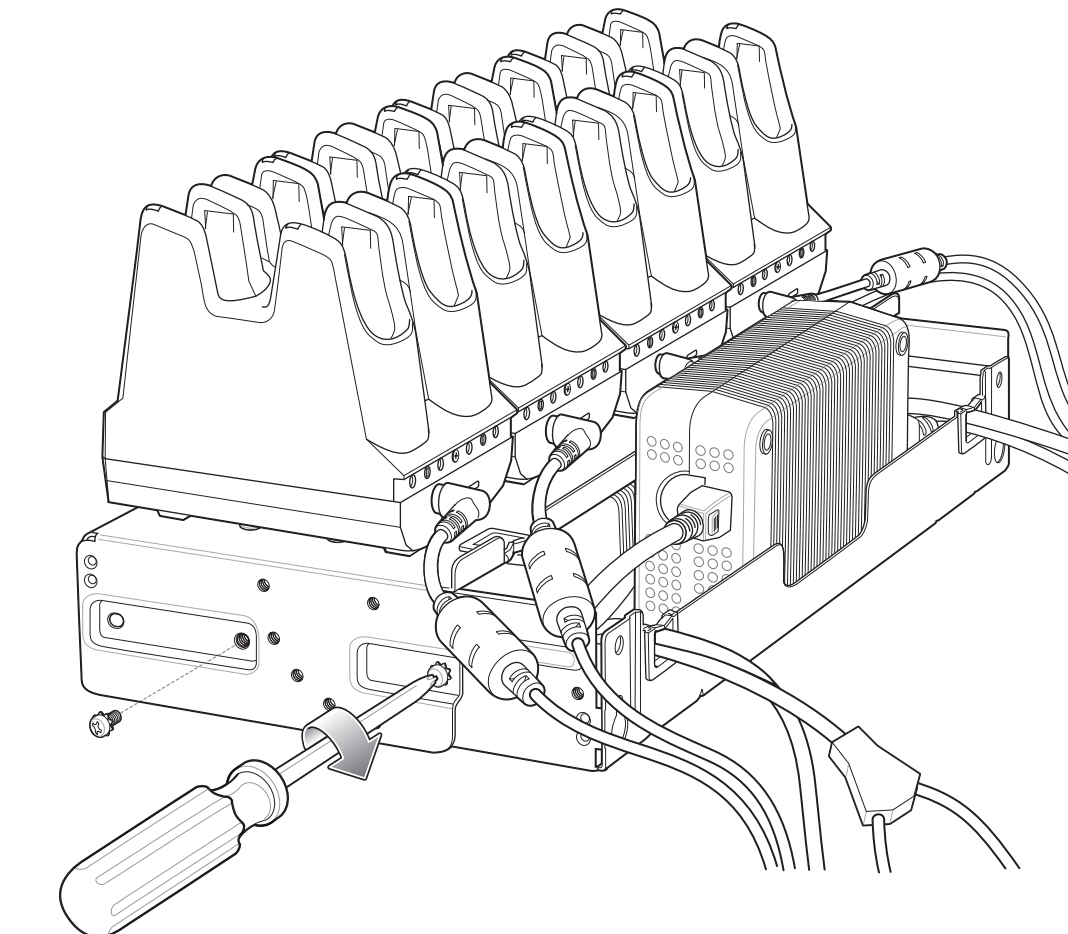
8. Align and install 4-Slot Battery Charger onto four studs.



9. Connect 2-Way DC Cables to four 4-Slot Battery Chargers.



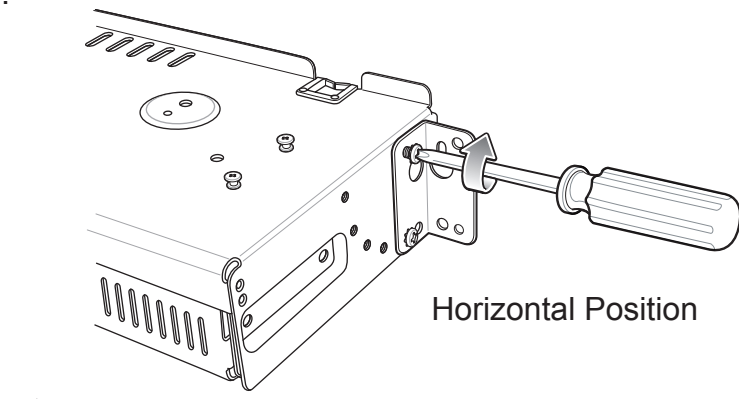
10. Secure top tray to bottom tray with four M5 screws (two on each side).



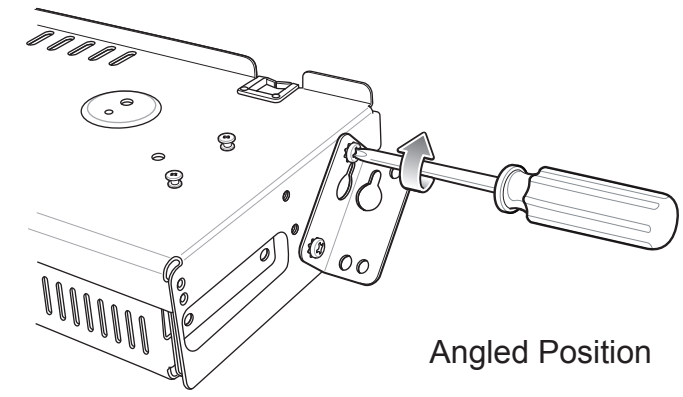
Rack Mounting

NOTE: Use screws provided with rack system. Refer to rack user documentation for instructions.

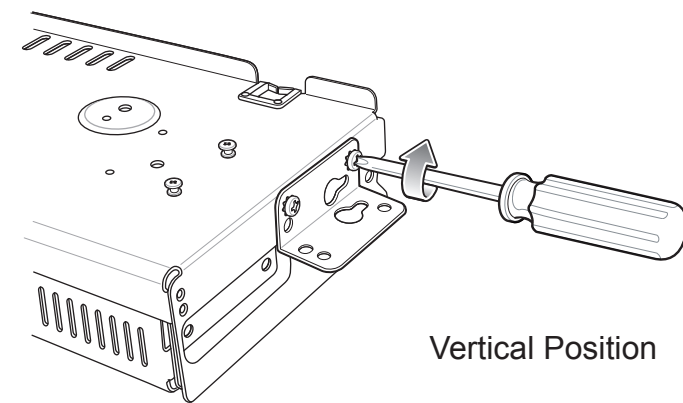
1. Secure mounting brackets to both sides of top tray with four M5 screws (two on each side). Position flange for horizontal, vertical or angled position.



Horizontal Position



Angled Position

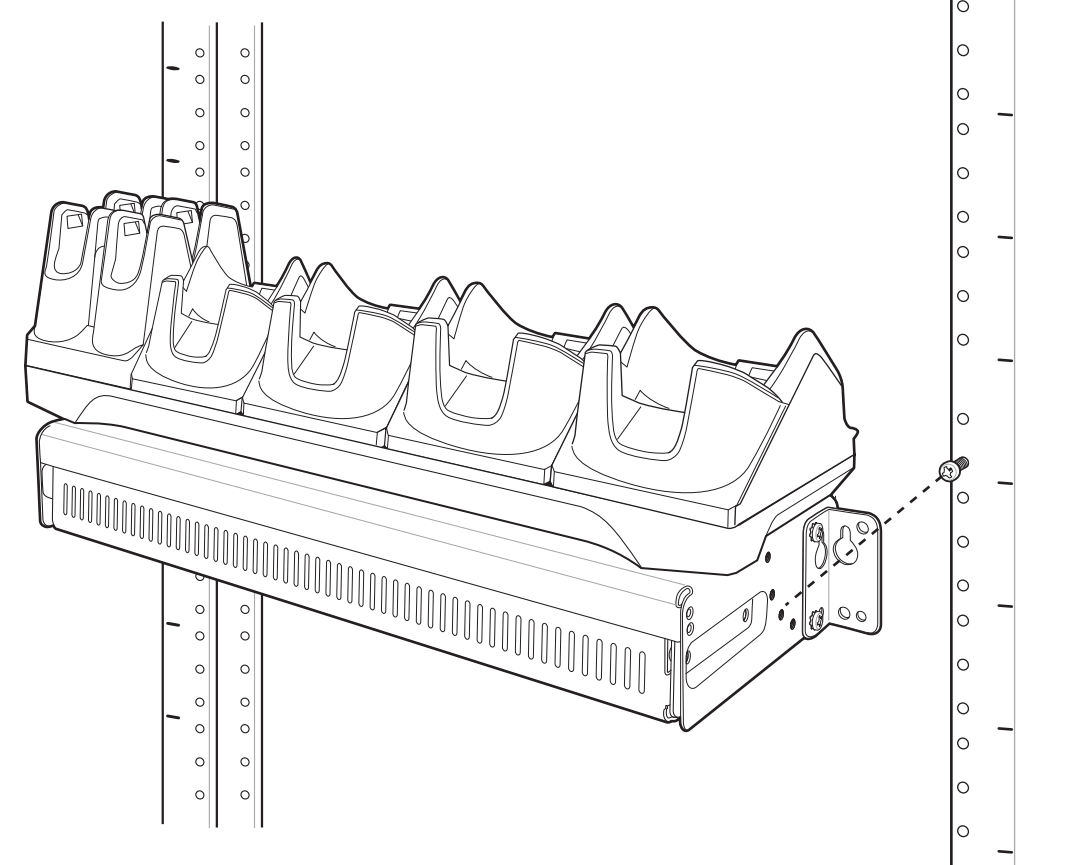


Vertical Position

2. Install two rack system screws for top of mounting brackets. The screw heads should protrude half way from the rail.

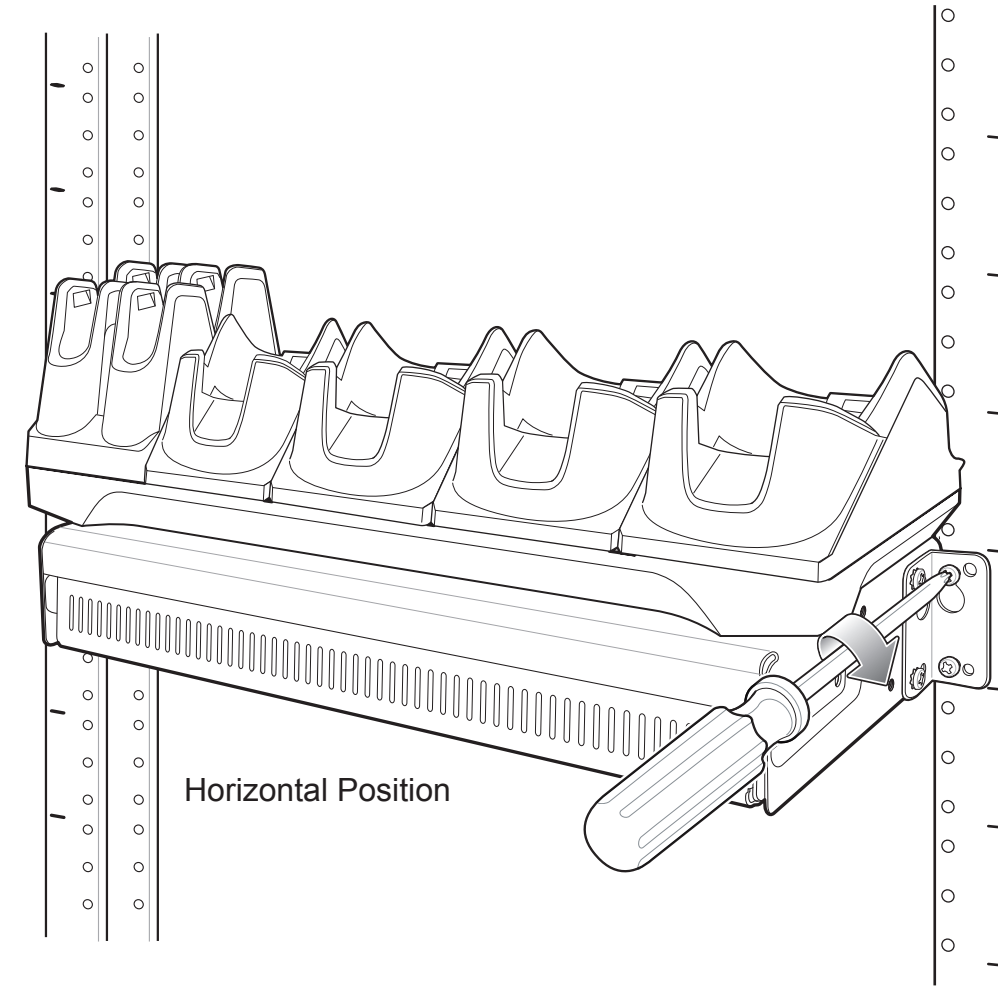


3. Align the mounting bracket's top mounting key holes with the screws.

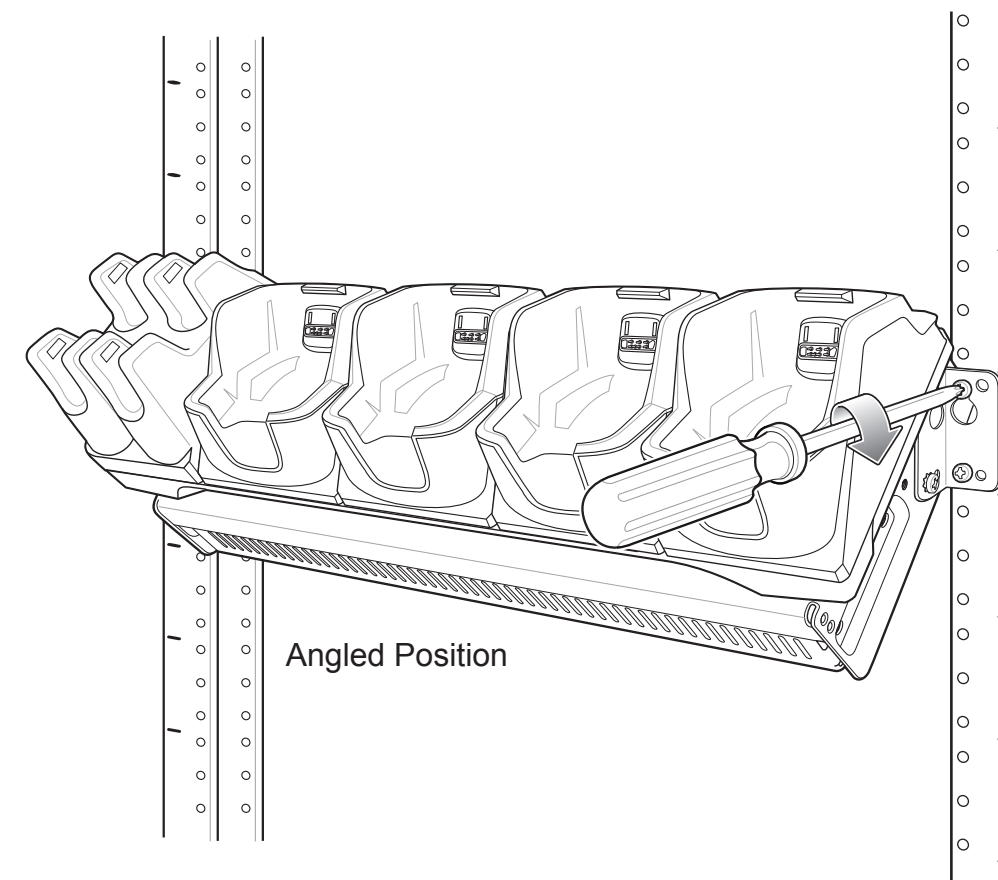


4. Place the brackets on the screws.

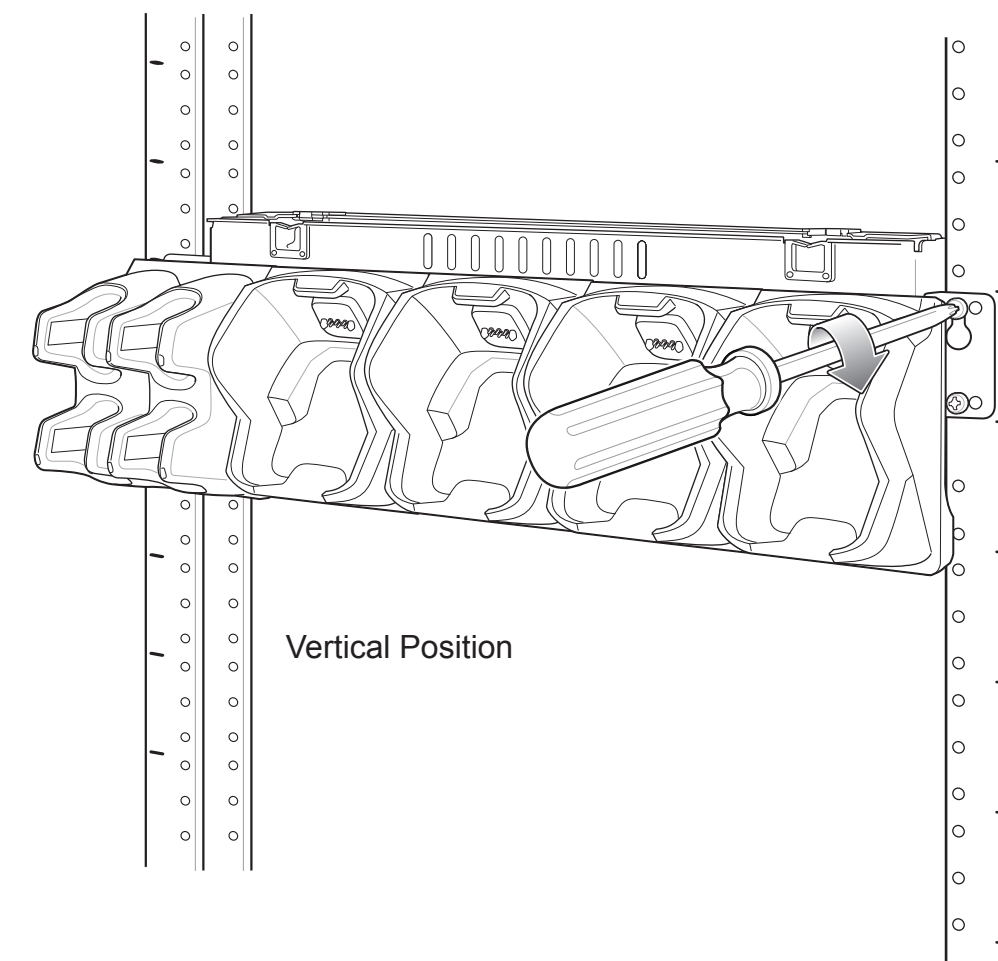
5. Secure the top screws.



Horizontal Position



Angled Position



Vertical Position

6. Install bottom screws and tighten screws.



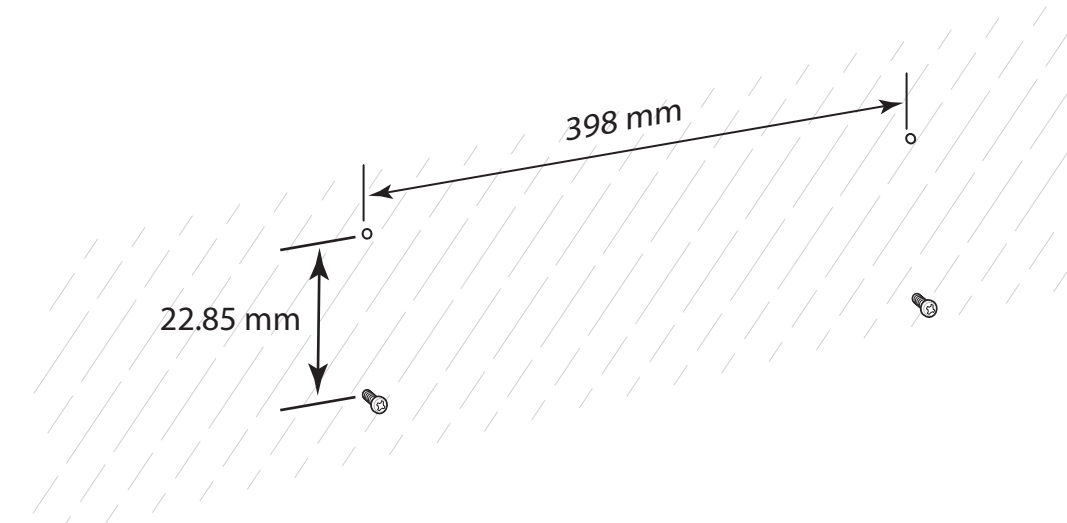
Wall Mounting

Use mounting hardware (screws and/or anchors) appropriate for the type of wall mounting the bracket onto. The Mount Bracket mounting slots dimensions are 5 mm (0.2 in.). Fasteners must be able to hold a minimum of 20 Kg (44 lbs.)

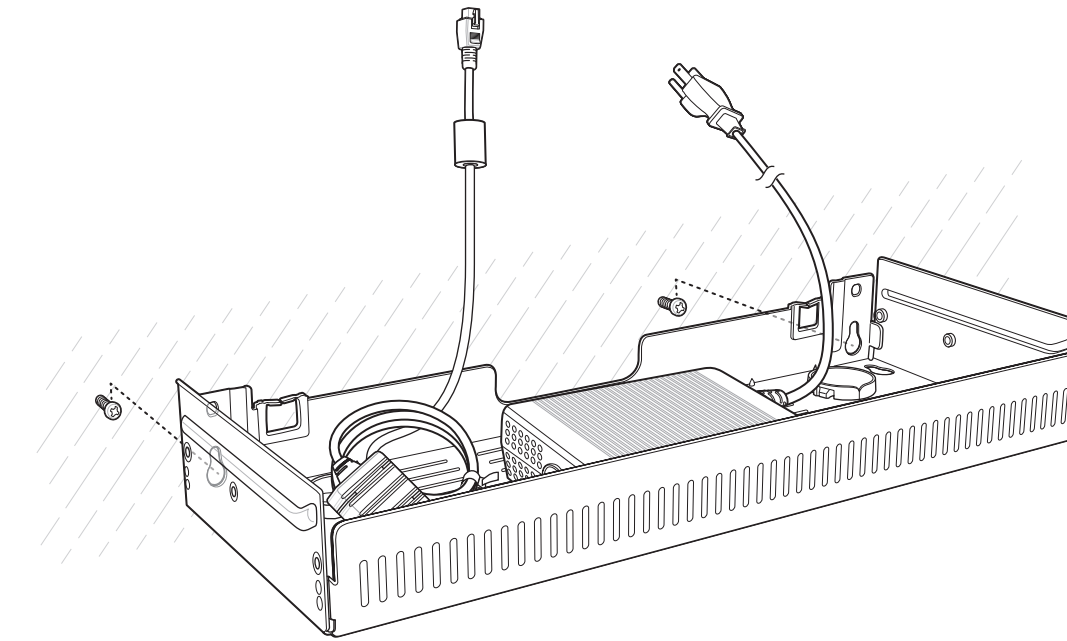
For proper installation consult a professional installer. Failure to install the bracket properly can possibly result in damage to the hardware.

Horizontal Wall Mounting

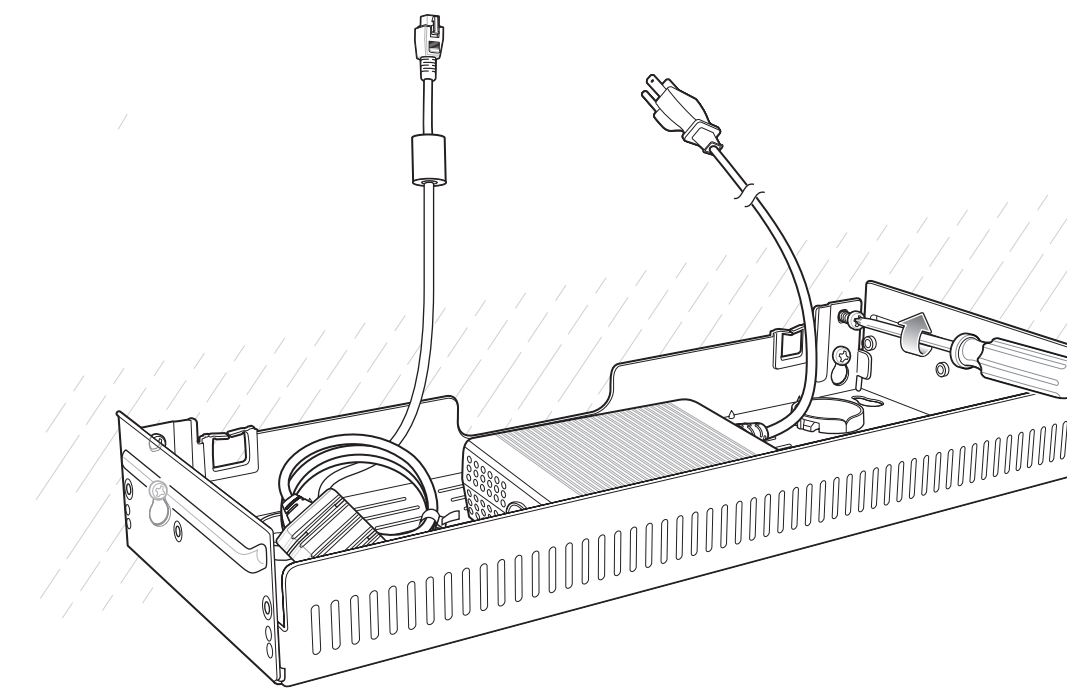
1. Drill holes and install anchors according to the template below.
2. Install two screws for bottom of bracket. The screw heads should protrude 2.5 mm (0.01") from the wall.



3. Place power supplies and cables in bottom tray.
4. Align the mounting bracket's bottom mounting key holes with the screws.
5. Hang the bracket on the screws.



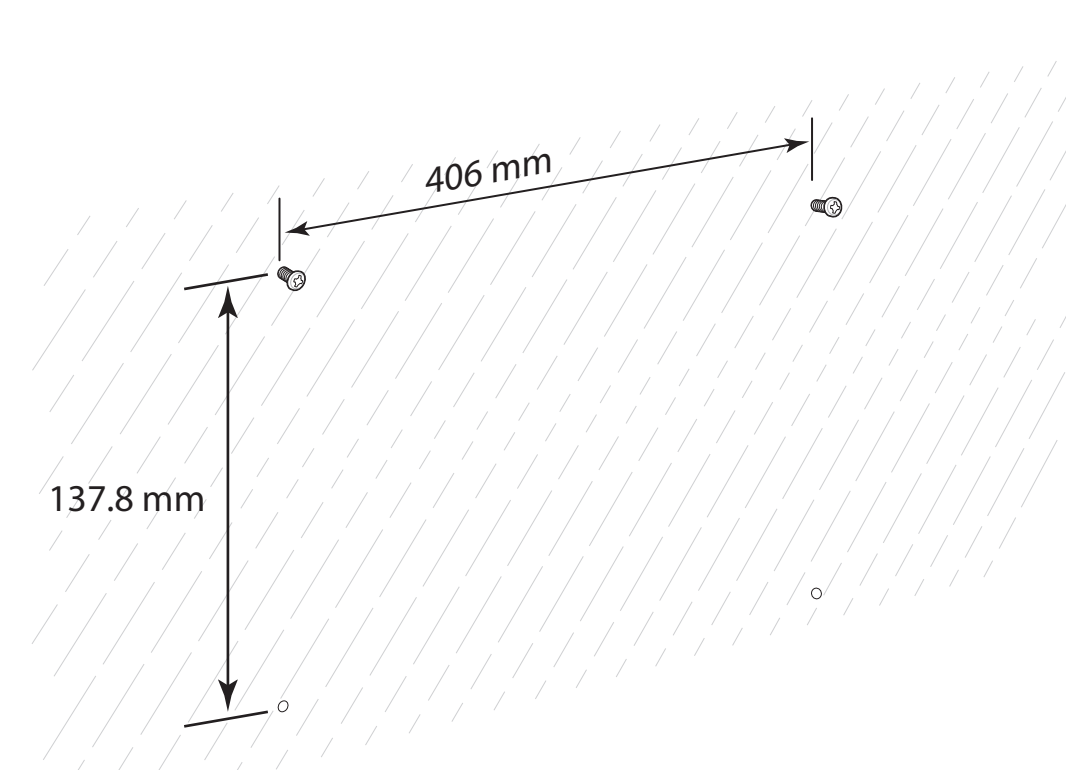
6. Install two top screws.
7. Tighten all screws.



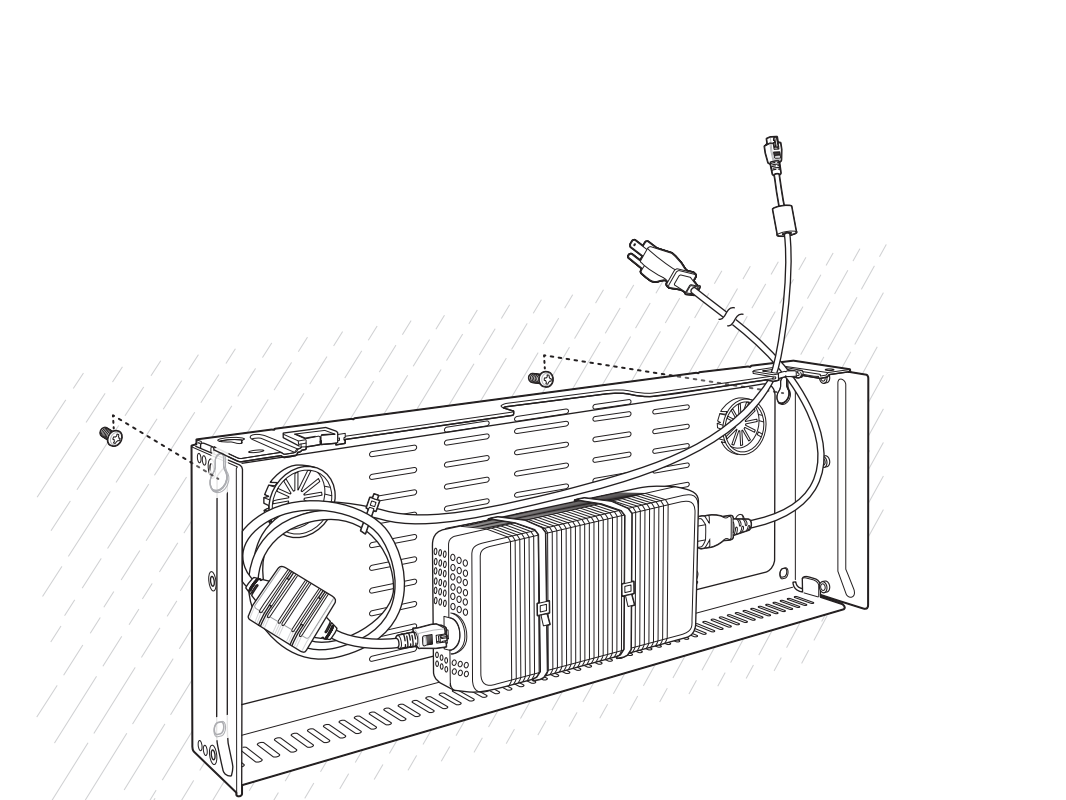
8. Insert assembled top tray onto bottom tray. See page 1.

Vertical Wall Mounting

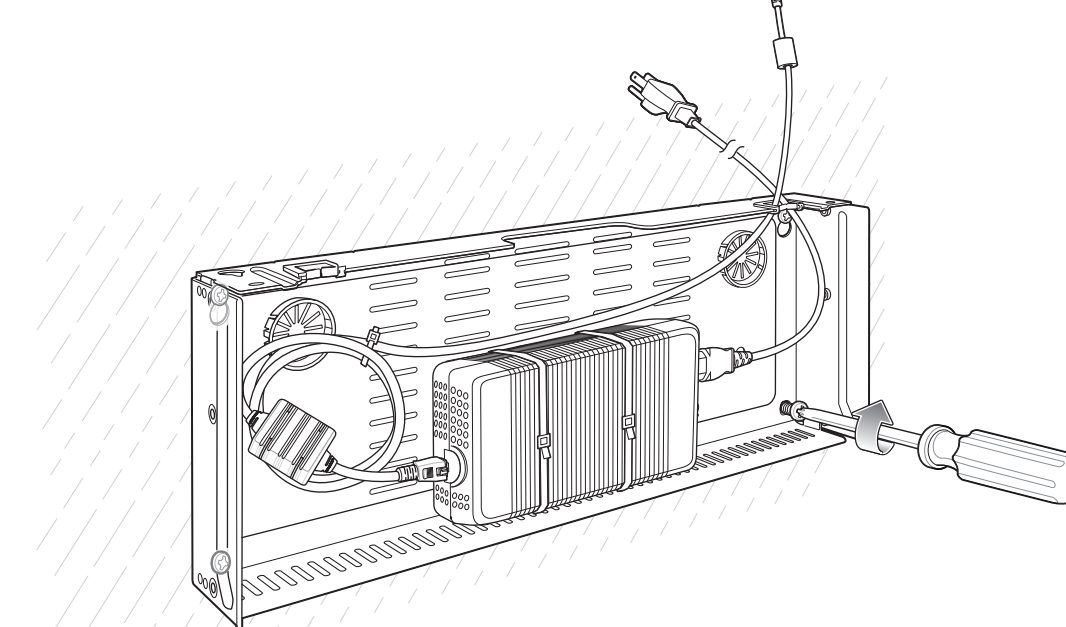
1. Drill holes and install anchors according to the template on right.
2. Install two screws for top of bracket. The screw heads should protrude 2.5 mm (0.01") from the wall.



3. Place power supplies and cables in bottom tray.
4. Align the mounting bracket's top mounting key holes with the screws.
5. Hang the bracket on the two top screws.



6. Install two bottom screws.
7. Tighten all screws.



8. Insert assembled top tray onto bottom tray. See page 1.

Power Connections

CAUTION: Installer should ensure that all building codes are followed when connecting the power supplies to an AC power source.

Cable Routing and Management

While installing the brackets, power supplies and cables:

- Use tie wraps to secure cables to the bracket and rails.
- Coil cables wherever possible.
- Route power cables along the rails.
- Route inter-cradle cables to the side rails and then from the rails to the bracket.

