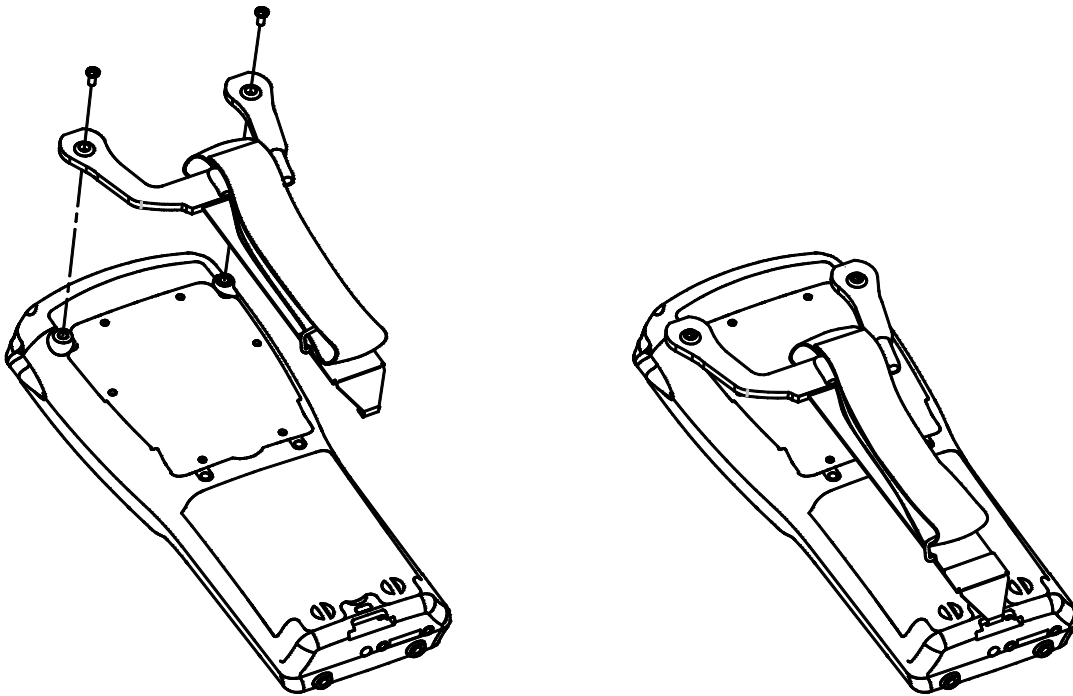


Installation Instructions for Workabout Pro C Handstrap

I. Installation

- Assemble Handstrap to inserts shown on Workabout Pro C handheld.
- Screws are M2.6 x 5mm Philips Driver, Fixed Flat Washer, with Black Oxide finish.
- The screws should be tightened one-quarter turn beyond finger tight. (Or torque 2.5 ± 0.25 in-lbs).
- Do not use any thread locking compounds or adhesives.
- Do not over tighten.
- Pull down on strap and hook metal clip into lip on bottom of terminal as shown.



COMPANY HEADQUARTERS AND CANADIAN SERVICE CENTRE

PSION

2100 Meadowvale Boulevard, Mississauga

Ontario, Canada L5N 7J9

Tel: +1 905 813 9900

Fax: +1 905 812 6300

E-mail: salescdn@psion.com

www.pSION.com

www.ingenuityworking.com