

Installation Instructions for WORKABOUT PRO Stylus Holder

The following are the parts that should be included as part of the Stylus and Holder Kit.

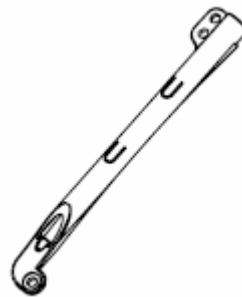
A. Stylus

Qty: 1



B. Holder

Qty: 1



C. Left Foot

Qty: 1



D. Right Foot

Qty: 1



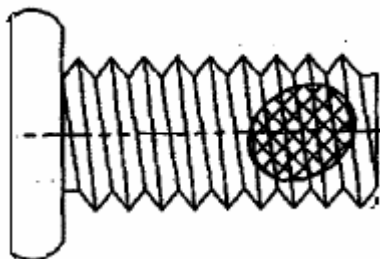
E. Lanyard

Qty: 1



F. Screw M2.6 x 5 Pan Head

Qty: 3

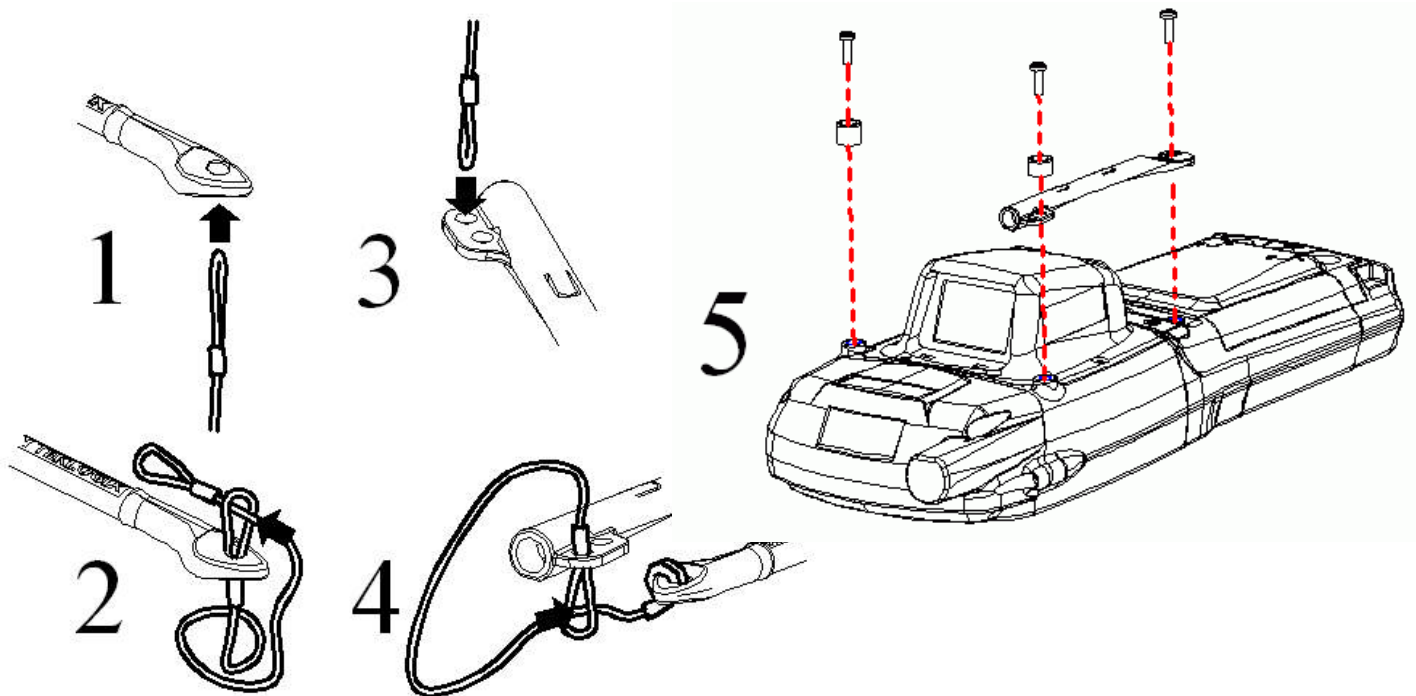


Installation Instructions for WORKABOUT PRO Stylus Holder

NOTE: For Installation Instructions For WORKABOUT PRO Stylus Handstrap See Reverse Side

I. Installation

- Thread Tether through indicated eyelet and pass through loop as shown.
- Assemble Holder to inserts shown on WORKABOUT PRO handheld.
- Screws are M2.6 x 5mm Philips Driver, Pan Head with Black Oxide finish.
- The screws should be tightened one-quarter turn beyond finger tight. (Or torque 2.5 ± 0.25 in-lbs).
- Do not use any thread locking compounds or adhesives.
- Do not over tighten.
- Pull down on strap and hook metal clip into lip on bottom of terminal as shown.



COMPANY HEADQUARTERS AND CANADIAN SERVICE CENTRE

PSION TEKLOGIX Inc.
2100 Meadowvale Boulevard, Mississauga
Ontario, Canada L5N 7J9
Tel: +1 905 813 9900
Fax: +1 905 812 6300
E-mail: salescdn@psion.com