



Captuvo SL62 ChargeBase

Quick Start Guide



Overview

The ChargeBase is a 4-slot charging cradle that can power four sleds and charge their batteries in four hours. If the Apple® iPad mini is inserted into the sled, the iPad mini will also be charged.



We recommend use of Honeywell peripherals, power cables, and power adapters. Use of any non-Honeywell peripherals, cables, or power adapters may cause damage not covered by the warranty.

Unpacking the ChargeBase

Open the shipping box and inspect the package to see that the following standard items are included:

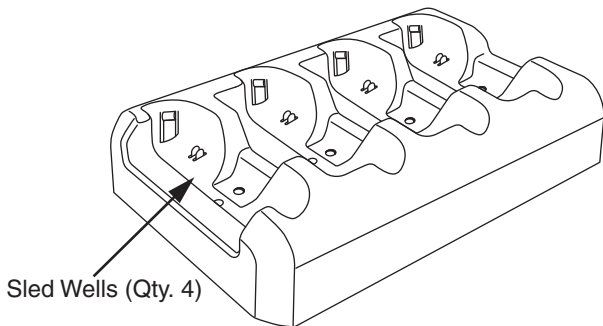
- One ChargeBase (Model: SL-CB-B)
- One power supply
- One power cord
- Quick Start Guide

These items are needed to operate the ChargeBase. If any items are missing or anything appears to be damaged, contact your Customer Account Representative. Keep the original packaging in case you need to return the ChargeBase for service or to store the ChargeBase while not in use.

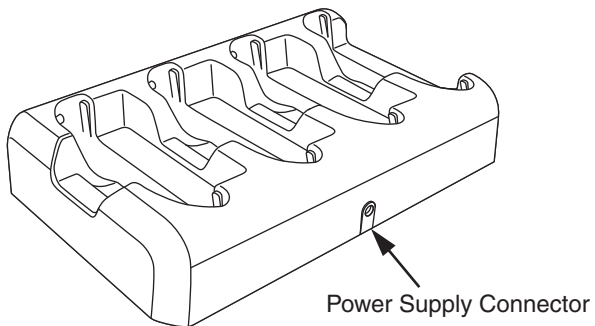
Convenient Storage

Since charging terminates when the battery has a full charge, the ChargeBase is a safe and convenient storage receptacle for your Captuvo SL62 sled.

Front Panel



Back Panel



Power

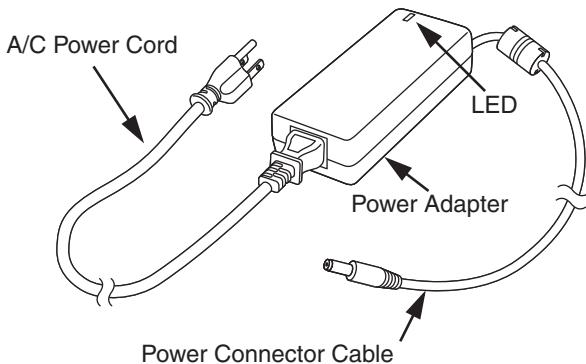
The charger requires 24 Volts DC input for battery charging; the power adapter on the power cable converts the voltage from the power source to 24 volts DC. Use only a UL Listed power supply, which has been qualified by Honeywell with output rated at 24VDC and 5A amps with the device.

Honeywell recommends that you leave the ChargeBase connected to its power source at all times, so that it is always ready to use.

Connecting Power to the ChargeBase

1. Plug the A/C power cord into the power adapter.
2. Plug the power connector cable into the power connector on the back panel of the ChargeBase.
3. Plug the A/C power cord into a standard wall outlet.

The ChargeBase is ready to begin charging the sled/iPad mini.

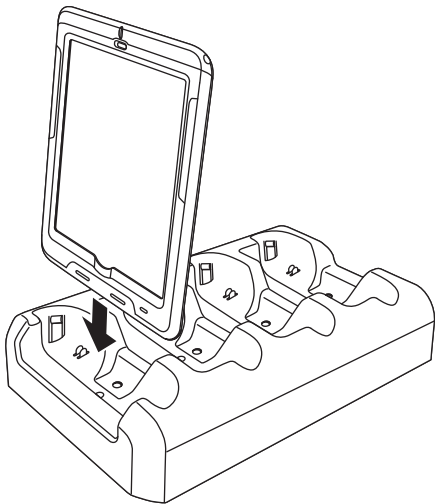


Charging the Battery

1. Install the battery into the sled.
2. Verify the ChargeBase has power.
3. Slide the sled into one of the four wells. Charging begins immediately if required by the sled or the iPad mini. If the iPad mini is installed in the sled, the battery icon at the top of the screen indicates that it is charging. The sled and the iPad mini charge simultaneously and completely depleted batteries will be charged in approximately six hours.



Ensure all components are dry prior to mating sleds/batteries with peripheral devices. Mating wet components may cause damage not covered by the warranty.



Agency Information

USA

FCC Part 15 Subpart B Class B

This device complies with part 15 of the FCC Rules. Operation is subject to the following two conditions:

1. This device may not cause harmful interference.
2. This device must accept any interference received, including interference that may cause undesired operation.

This equipment has been tested and found to comply with the limits for a Class B digital device pursuant to part 15 of the FCC Rules. These limits are designed to provide reasonable protection against harmful interference in a residential installation. This equipment generates, uses, and can radiate radio frequency energy and, if not installed and used in accordance with the instructions, may cause harmful interference to radio communications. However, there is no guarantee that interference will not occur in a particular installation. If this equipment does cause harmful interference to radio or television reception, which can be determined by turning the equipment off and on, the user is encouraged to try to correct the interference by one or more of the following measures:

- Reorient or relocate the receiving antenna.
- Increase the separation between the equipment and receiver.
- Connect the equipment into an outlet on a circuit different from that to which the receiver is connected.
- Consult the dealer or an experienced radio or television technician for help.

If necessary, the user should consult the dealer or an experienced radio/television technician for additional suggestions. The user may find the following booklet helpful: "Something About Interference."

This is available at FCC local regional offices. Honeywell is not responsible for any radio or television interference caused by unauthorized modifications of this equipment or the substitution or attachment of connecting cables and equipment other than those specified by Honeywell. The correction is the responsibility of the user.

Use only shielded data cables with this system. This unit has been tested with cables less than 3 meters. Cables greater than 3 meters may not meet class B performance.

Caution: Any changes or modifications made to this equipment not expressly approved by Honeywell may void the FCC authorization to operate this equipment.

Canada

Industry Canada ICES-003

This Class B digital apparatus complies with Canadian ICES-003. Operation is subject to the following conditions:

1. This device may not cause harmful interference.
2. This device must accept any interference received, including interference that may cause undesired operation.

Conformité à la réglementation canadienne

Cet appareil numérique de la Classe B est conforme à la norme NMB-003 du Canada. Son fonctionnement est assujéti aux conditions suivantes :

1. Cet appareil ne doit pas causer de brouillage préjudiciable.
2. Cet appareil doit pouvoir accepter tout brouillage reçu, y compris le brouillage pouvant causer un fonctionnement indésirable.

Europe

CE The CE marking indicates compliance to 2004/108/EC EMC Directive with Standards EN55022 CLASS B, EN55024, EN61000-3-2, EN61000-3-3. 2011/65/EU ROHS (Recast). In addition, complies to 2006/95/EC Low Voltage Directive, when shipped with recommended power supply.

For further information please contact:

Hand Held Products Europe B.V.

Nijverheidsweg 9-13

5627 BT Eindhoven

The Netherlands

Honeywell International Inc. shall not be liable for use of our product with equipment (i.e., power supplies, personal computers, etc.) that is not CE marked and does not comply with the Low Voltage Directive.

CE La marquage CE indique que cet appareil est conforme à la Directive CEM 2004/108/CE et avec les normes EN55022 CLASSE B, EN55024, EN61000-3-2, EN61000-3-3. 2011/65/EU ROHS (Recast). De plus, il est conforme à la Directive sur les basses tensions 2006/95/EC, lorsqu'il est fourni avec le bloc d'alimentation recommandé.

Pour plus de renseignements, communiquez avec :

Hand Held Products Europe B.V.

Nijverheidsweg 9-13

5627 BT Eindhoven

The Netherlands

Honeywell ne sera pas tenu responsable de l'utilisation de ses produit avec de l'équipement (c'est-à-dire, blocs d'alimentation, ordinateurs personnels, etc.) qui ne porte pas la marque CE et n'est pas conforme à la Directive sur les basses tensions.

CE La marquage CE apposée sur ce dispositif atteste qu'il est conforme à la Directive CEM 2004/108/CE et aux normes EN55022 CLASSE B, EN55024, EN61000-3-2, EN61000-3-3. 2011/65/EU ROHS (Recast). En outre, s'il est fourni avec l'alimentation recommandée, ce dispositif est conforme à la Directive « basse tension » 2006/95/CE. Pour plus d'informations, veuillez contacter :

Hand Held Products Europe B.V.
Nijverheidsweg 9-13
5627 BT Eindhoven
Pays-Bas

Honeywell ne peut pas être tenu responsable des éventuelles conséquences de l'utilisation de ses produits avec des équipements (modules d'alimentation, ordinateurs personnels, etc.) ne comportant pas la marque CE et non conformes à la Directive sur les basses tensions.

CE La marcatura CE indica conformità ai sensi della direttiva EMC 2004/108/EC con gli standard N55022 Classe B, EN55024, EN61000-3-2, EN61000-3-3. 2011/65/EU ROHS (Recast). È conforme inoltre ai sensi della Direttiva bassa tensione 2006/95/EC se spedito con l'alimentatore consigliato. Per ulteriori informazioni rivolgersi a:

Hand Held Products Europe B.V.
Nijverheidsweg 9-13
5627 BT Eindhoven
Paesi Bassi

Honeywell declina ogni responsabilità per l'utilizzo del prodotto con dispositivi (ad esempio alimentatori, personal computer ecc.) non contrassegnati dal marchio CE e non conformi alla Direttiva Bassa Tensione.

CE Die CE-Kennzeichnung wird die Einhaltung der EMV-Richtlinie 2004/108/EG mit den Normen EN55022 Klasse B, EN55024, EN61000-3-2, EN61000-3-3 angezeigt. 2011/65/EU ROHS (Recast). Ferner entspricht dieses Gerät der Niederspannungsrichtlinie 2006/95/EG, wenn es mit dem empfohlenen Netzteil geliefert wird. Weitere Informationen sind unter folgender Adresse erhältlich:

Hand Held Products Europe B.V.
Nijverheidsweg 9-13
5627 BT Eindhoven
Niederlande

Honeywell haftet nicht für die Verwendung seiner Produkte mit Komponenten (z. B. Stromversorgungen, PCs usw.), die nicht mit dem CE-Zeichen gekennzeichnet sind und die nicht den Vorschriften der Niederspannungsrichtlinie entsprechen.

CE El mercado CE indica que cumple con la Directiva 2004/108/EC EMC y los estándares EN55022 Clase B, EN55024, EN61000-3-2, EN61000-3-3. 2011/65/EU ROHS (Recast). Además, cumple con la

Directiva 2006/95/EC sobre el material eléctrico destinado a utilizarse con determinados límites de tensión, cuando se envía con una fuente de alimentación recomendada. Para obtener información adicional, póngase en contacto con:

Hand Held Products Europe B.V.
Nijverheidsweg 9-13
5627 BT Eindhoven
Países Bajos

Honeywell no será responsable del uso de sus productos con equipos (p. ej., fuentes de alimentación, ordenadores personales, etc.) que no presenten la marca CE y no cumplan con la Directiva sobre el material eléctrico destinado a utilizarse con determinados límites de tensión.

CE El marcado CE indica que cumple con la Directiva 2004/108/EC EMC con los Estándares EN55022 CLASE B, EN55024, EN61000-3-2 y EN61000-3-3. 2011/65/EU ROHS (Recast). Además, cumple con la Directiva 2006/95/EC sobre baja tensión cuando se envía con la fuente de alimentación recomendada. Si desea obtener más información, póngase en contacto con:

Hand Held Products Europe B.V.
Nijverheidsweg 9-13
5627 BT Eindhoven
Países Bajos

Honeywell no asumirá responsabilidad por el uso de sus productos con equipos (p. ej., fuentes de alimentación, computadoras personales, etc.) que no presenten la marca CE y no cumplan con la Directiva sobre baja tensión.

CE A marcação CE indica conformidade com a Diretiva EMC 2004/108/EC, com os Padrões EN55022 CLASSE B, EN55024, EN61000-3-2 e EN61000-3-3. Além disso, indica conformidade com a Diretiva para baixa tensão 2006/95/EC, quando o dispositivo é enviado com a fonte de alimentação recomendada. Para obter mais informações, entre em contato com:

Hand Held Products Europe B.V.
Nijverheidsweg 9-13
5627 BT Eindhoven
Holanda

Honeywell não se responsabiliza pelo uso de nossos produtos com equipamentos (fontes de alimentação, computadores pessoais, etc.) que não estejam marcados com CE e em conformidade com a Diretriz de Baixa Voltagem.

CE CE 表示设备符合 2004/108/EC EMC 指令和 EN55022 B 类、EN55024、EN61000-3-2、EN61000-3-3 2011/65/EU ROHS (Recast). 的标准要求。此外，在随附建议的电源时，设备还符合 2006/95/EC 低电压指令的要求。有关其他信息，请联系：

Hand Held Products Europe B.V.
Nijverheidsweg 9-13
5627 BT Eindhoven
The Netherlands

如果通过没有 CE 标记且不符合低电压指令的设备（如，电源、个人计算机等）使用我们的产品，Honeywell 不负任何责任。

CE CE 標誌代表本裝置符合 2004/108/EC EMC 指令，遵循標準 EN55022 CLASS B、EN55024、EN61000-3-2 和 EN61000-3-3。2011/65/EU ROHS (Recast).. 若本機組附帶建議使用的電源裝置，同時也符合 2006/95/EC 低電壓指令。如需進一步資訊，請聯絡：

Hand Held Products Europe B.V.
Nijverheidsweg 9-13
5627 BT Eindhoven
The Netherlands

若配合未標示 CE 及不符合低電壓指令的設備（即電源供應器、個人電腦等等）使用我們的產品，Honeywell 概不負責。

CE CE マーキングは、本装置が 2004/108/EC EMC Directive の規格 EN55022 CLASS B、EN55024、EN61000-3-2、EN61000-3-3。2011/65/EU ROHS (Recast). に準拠していることを示します。また、推奨電源付きで出荷されている場合は、2006/95/EC Low Voltage Directive にも準拠しています。詳細については、下記にお問い合わせください。

Hand Held Products Europe B.V.
Nijverheidsweg 9-13
5627 BT Eindhoven
The Netherlands

CE 마킹이 없고, Low Voltage Directive에 적합하지 않은 기기 (전원 장치, 개인용 컴퓨터 등) 와 함께 본사의 제품을 사용한 경우, Honeywell은 모든 책임을 지지 않습니다.

CE 표시는 2004/108/EC EMC Directive의 표준 EN55022 CLASS B, EN55024, EN61000-3-2, EN61000-3-3. 2011/65/EU ROHS (Recast). 을 준수함을 의미합니다. 또한, 권장되는 전원 공급 장치와 함께 제공되는 경우에는 2006/95/EC Low Voltage Directive 를 준수함을 의미합니다. 자세한 내용은 다음으로 문의하시기 바랍니다.

Hand Held Products Europe B.V.
Nijverheidsweg 9-13
5627 BT Eindhoven
The Netherlands

Honeywell은 Low Voltage Directive의 조항을 준수하지 않고 CE 기호를 획득하지 않은 장비 (예 : 전원 공급 장치, PC 등) 와 함께 당사 제품을 사용함으로써 발생하는 어떠한 문제에도 책임을 지지 않습니다.

CE Маркировка CE означает соответствие Директиве по электромагнитной совместимости 2004/108/EC со стандартами EN55022 CLASS B, EN55024, EN61000-3-2, EN61000-3-3. 2011/65/EU ROHS (Recast). Кроме того, соответствие Директиве по низкому напряжению 2006/95/EC при отправке с рекомендуемым источником питания. Для получения более подробной информации обращайтесь по адресу:

Hand Held Products Europe B.V.
Nijverheidsweg 9-13
5627 BT Eindhoven
The Netherlands

Компания Honeywell не несет ответственность за использование нашего товара с оборудованием (например, источниками питания, персональными компьютерами) без маркировки CE, которое не соответствует Директиве по низкому напряжению.

Honeywell Scanning & Mobility Product Environmental Information

Refer to www.honeywellaidc.com/environmental for the RoHS / REACH / WEEE information.

Technical Assistance

Contact information for technical support, product service, and repair can be found at www.honeywellaidc.com.

User Documentation

To download the CAPTUVO SL62 sled documentation, go to www.honeywellaidc.com.

Limited Warranty

Refer to www.honeywellaidc.com/warranty_information for your product's warranty information.

Patents

For patent information, refer to www.hsmpats.com.



有毒有害物质名称及含量的标识格式

(Names and Content of Hazardous Substances or Elements)

部件名称 (Parts Name)	有毒有害物质或元素 (Toxic and Hazardous Substances or Elements)					
	铅 (Pb)	汞 (Hg)	镉 (Cd)	六价铬 (Cr6+)	多溴联苯 (PBB)	多溴二苯 醚 (PBDE)
印刷电路板 (PCB)	o	o	o	o	o	o
充电器 (Adapter)	x	o	o	o	o	o
外壳 (Housing)	o	o	o	o	o	o
电源线 (Power Cord)	x	o	o	o	o	o

o: 表示该有毒有害物质在该部件所有均质材料中的含量均在 SJ/T11363-2006 标准规定的限量要求以下 (Indicates that this toxic or hazardous substance contained in all of the homogeneous materials for this part is below the limit requirement in China's SJ/T11363-2006.)

x: 表示该有毒有害物质至少在该部件的某一均质材料中的含量超出 SJ/T11363-2006 标准规定的限量要求 (Indicates that this toxic or hazardous substance contained in at least one of the homogeneous materials for this part is above the limit requirement in China's SJ/T11363-2006.)

Disclaimer

Honeywell International Inc. (“HII”) reserves the right to make changes in specifications and other information contained in this document without prior notice, and the reader should in all cases consult HII to determine whether any such changes have been made. The information in this publication does not represent a commitment on the part of HII.

HII shall not be liable for technical or editorial errors or omissions contained herein; nor for incidental or consequential damages resulting from the furnishing, performance, or use of this material.

This document contains proprietary information that is protected by copyright. All rights are reserved. No part of this document may be photocopied, reproduced, or translated into another language without the prior written consent of HII.

© 2014 Honeywell International Inc. All rights reserved.

Web Address: www.honeywellaidc.com

Apple and iPad mini are trademarks of Apple Inc., registered in the U.S. and other countries. App Store is a service mark of Apple Inc.