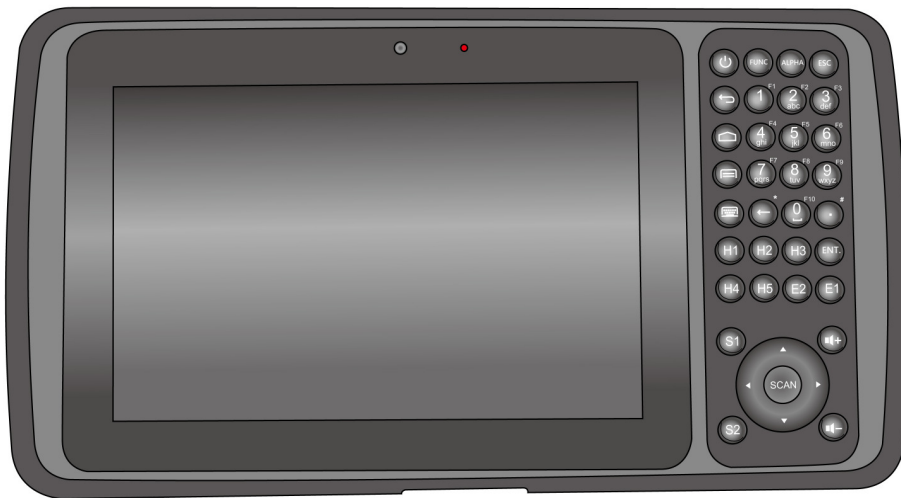


# 7" Rugged Tablet Computer

**-TB120-**



## **User's Manual**

**401161G Version 1.0**

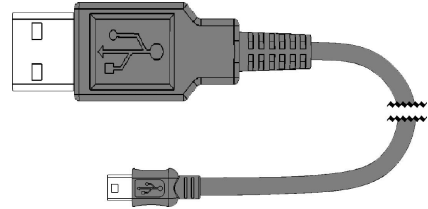
# Table of content

<b>Table of content</b> .....	<b>2</b>
<b>1. Package Contents</b> .....	<b>3</b>
<b>2. Getting started</b> .....	<b>4</b>
2.1 Device overview.....	4
Physical keyboard overview .....	6
2.2 Assembly .....	7
<i>Accessing battery, Micro SD card and SIM card</i> .....	7
2.3 Charging the battery .....	9
2.4 Data Communicating with PC Device .....	10
2.5 LED status .....	10
2.6 To check the battery level and to access the battery usage menu.....	11
<b>3. Basic Operation</b> .....	<b>12</b>
3.1 Accessing and using applications .....	12
<i>To open the Application screen</i> .....	12
<i>To browse the Application screen</i> .....	12
<i>To create a shortcut to an application on the Home screen</i> .....	12
<i>To Remove a shortcut of an application on the Home screen</i> .....	12
3.2 Barcode Scanning (For Imager Version only) .....	13
<b>4. Specification</b> .....	<b>15</b>
<b>Regulatory Compliance Statements</b> .....	<b>17</b>

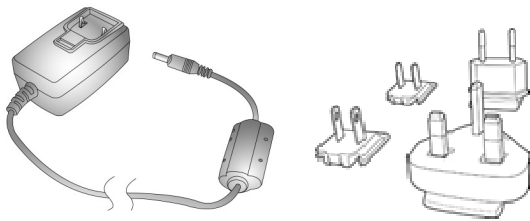
# 1. Package Contents



**TB120**



**USB cable**  
(Standard USB to Micro USB)



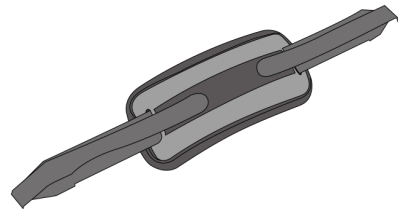
**Power adapter**



**Battery**



**Utility DVD**



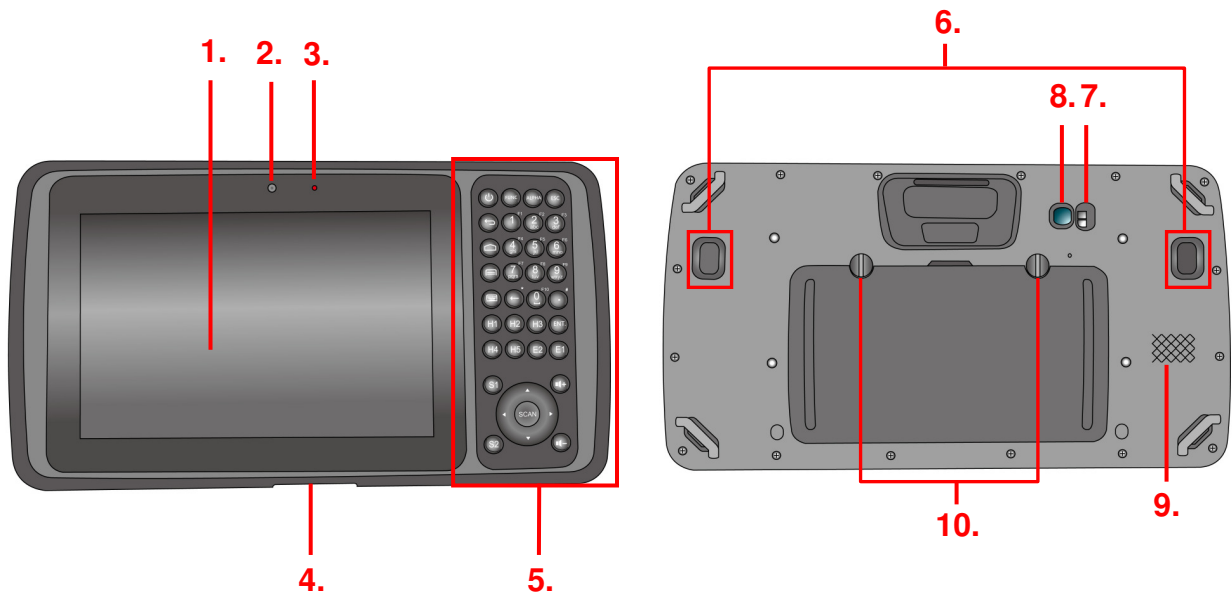
**Hand Strap**

## 2. Getting started

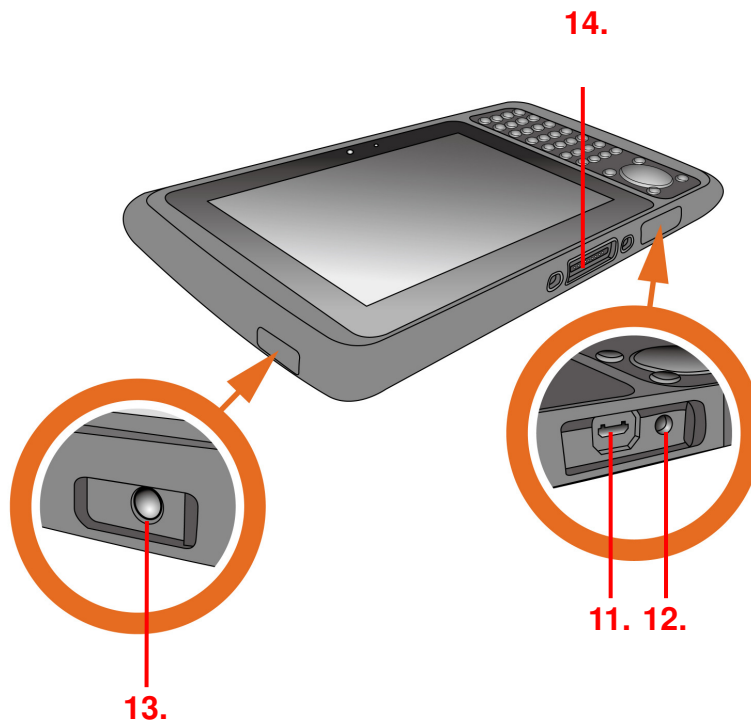
Unitech TB120 is an Android platform device. Android platform device has great flexibility that allows you to make customized configurations and enhancements by install and remove Apps.

With Android operation system, your device has limitless possibilities to update to latest features and improvements.

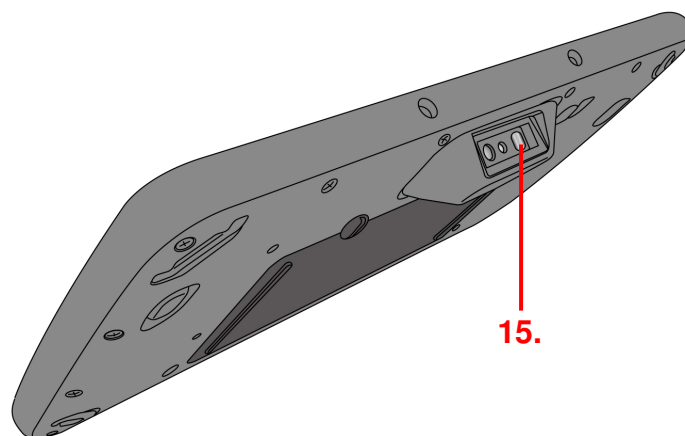
### 2.1 Device overview



1. 7" LCD touchscreen	6. Trigger button
2. 2M pixels front camera	7. LED flashlight
3. LED indicator	8. 5M pixels rear camera with AF
4. Cradle connector	9. Speaker
5. Physical keyboard (37 keys)	10. Mounting screw for battery cover

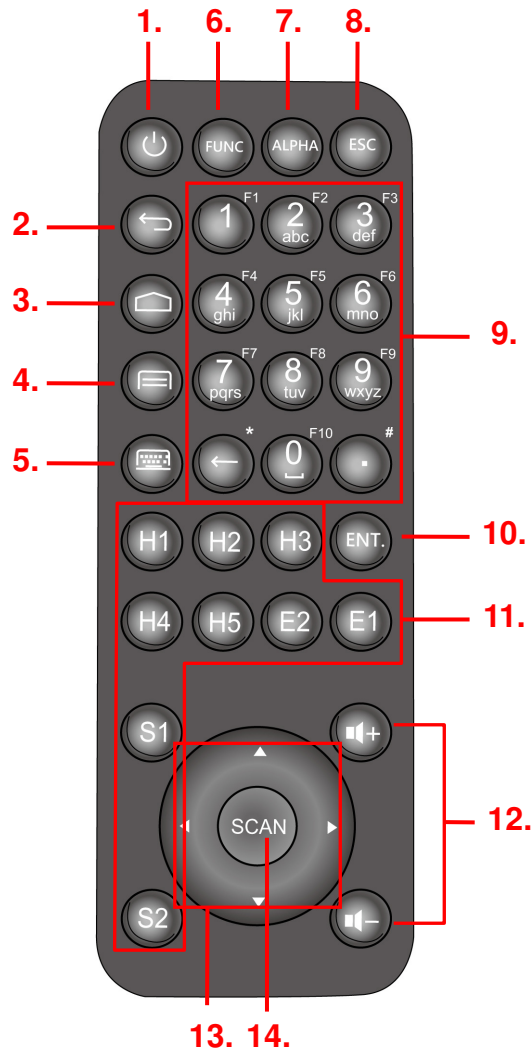


11. Micro USB port	12. DC-IN port
13. Earphone jack	14. Cradle connector



15. Bar code Scan Engine	
--------------------------	--

## Physical keyboard overview

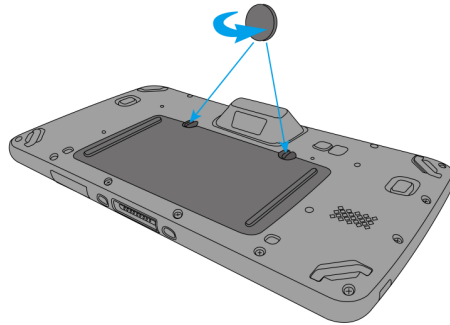


1. Power on/off key	8. Escape key
2. Android BACK key	9. Alpha/Numeric keys
3. Android HOME key	10. Enter key
4. Android APP List key	11. H.E.S. keys (programmable)
5. Soft keypad on/off key	12. Volume up/down keys
6. Function keys to enter F1-F10	13. 4 directional keys
7. Alpha key	14. Scan key

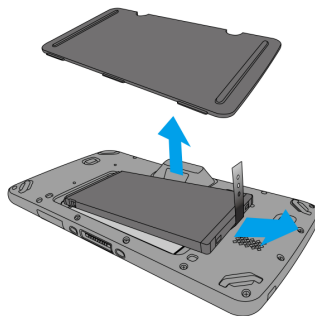
## 2.2 Assembly

### Accessing battery, Micro SD card and SIM card

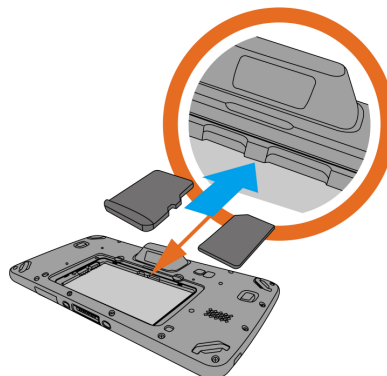
1. Using a proper tool (ex. a coin) to loosen the two screws on the battery cover by turning anticlockwise.



2. Remove the back cover and pull the battery out.



3. Now you can access the micro SD card slot and SIM card slot.

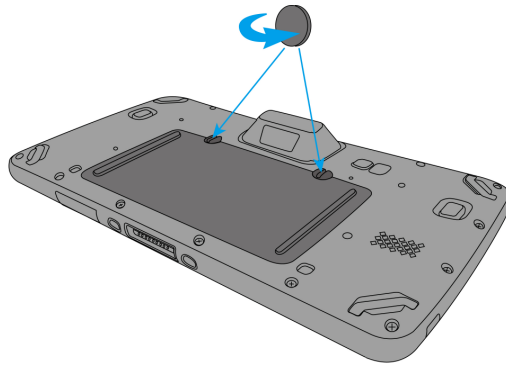


1. Micro SD card slot

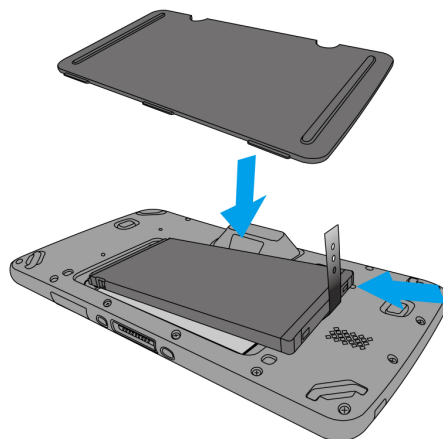
2. SIM card slot

### Put battery back to TB120

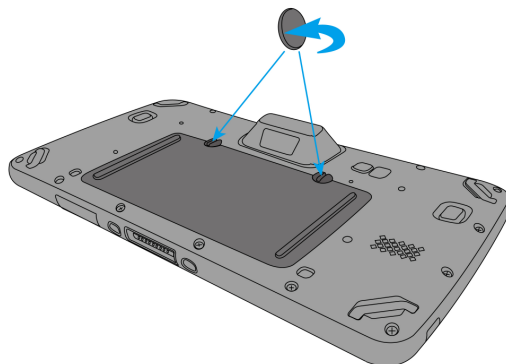
1. Using a proper tool (ex. a coin) to loosen the two screws on the battery cover by turning anticlockwise.



2. Put battery into battery compartment and put back cover.



3. Lock the two screws on the battery cover by turning clockwise.





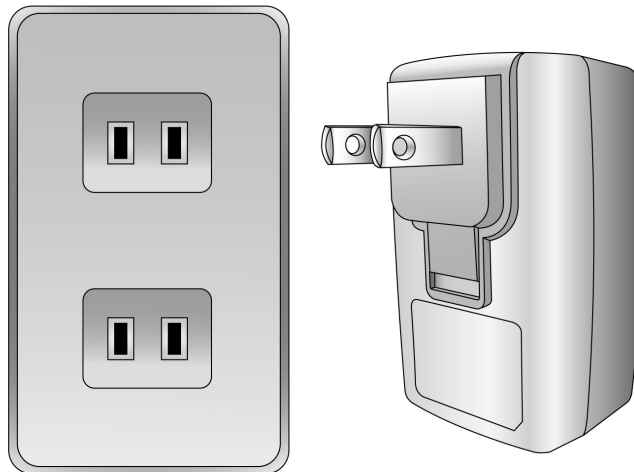
## 2.3 Charging the battery

Connect TB120 to the charger, it will be charged automatically.

1. Plug the power adapter into the DC-IN port at the bottom.

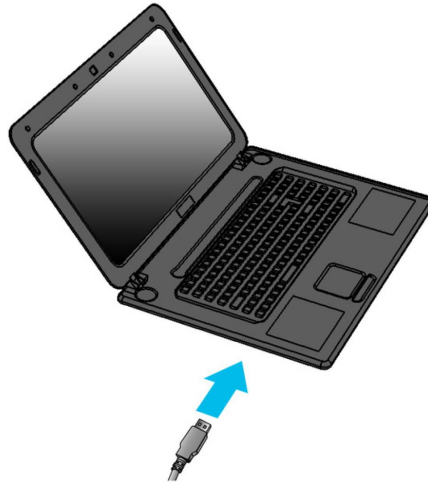


- 2.. Plug the power adapter into a wall outlet. If needed, attach a plug converter onto the power adapter.

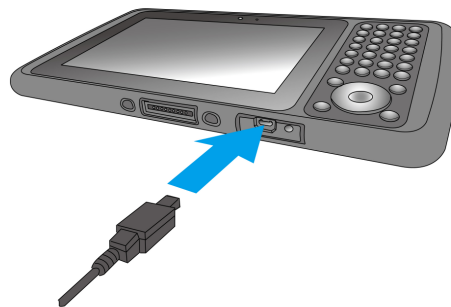


## 2.4 Data Communicating with PC Device

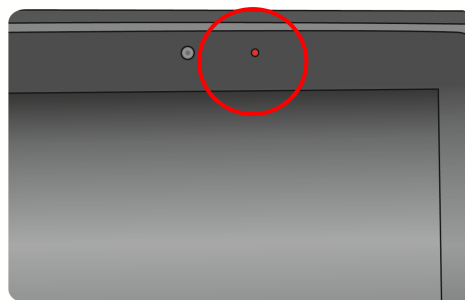
1. Connect the standard USB connector to the USB port of the PC device.



2. Connect the micro USB connector to the micro USB port at the bottom.




## 2.5 LED status

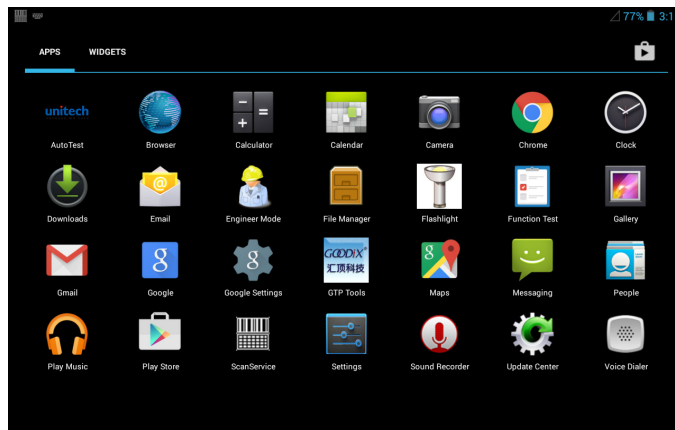


Green	The battery is fully charged
Lights Red	The battery is charging. The battery level is between low and full
Blue	Message is received.

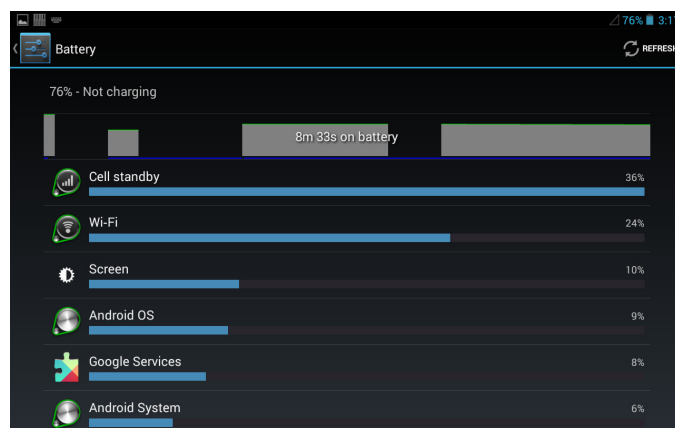
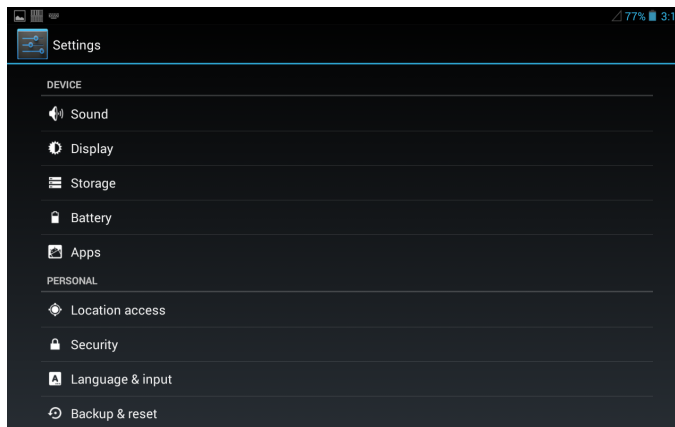
## 2.6 To check the battery level and to access the battery usage menu

1. From your Home screen, tap .

2. Find and tap Settings.




3. Find and tap  Battery.



## 3. Basic Operation

### 3.1 Accessing and using applications


#### To open the Application screen

From your Home screen, tap .

#### To browse the Application screen

From the Application screen, flick right or left.


#### To create a shortcut to an application on the Home screen

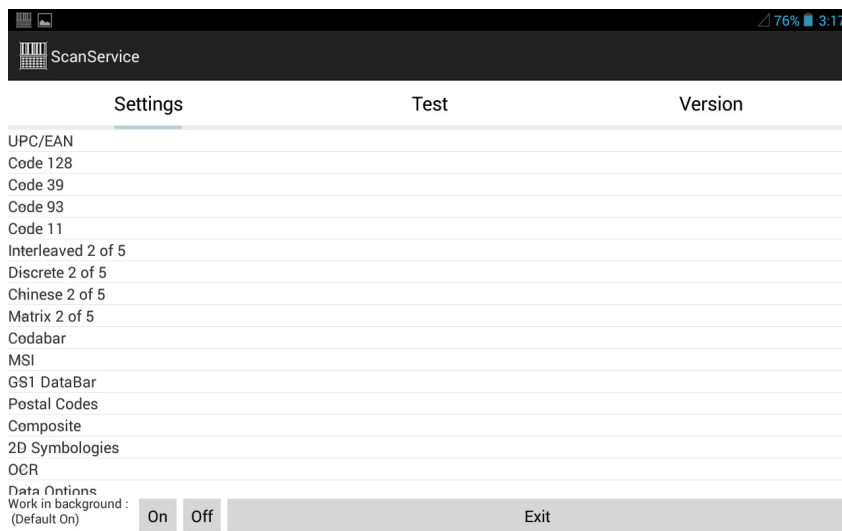
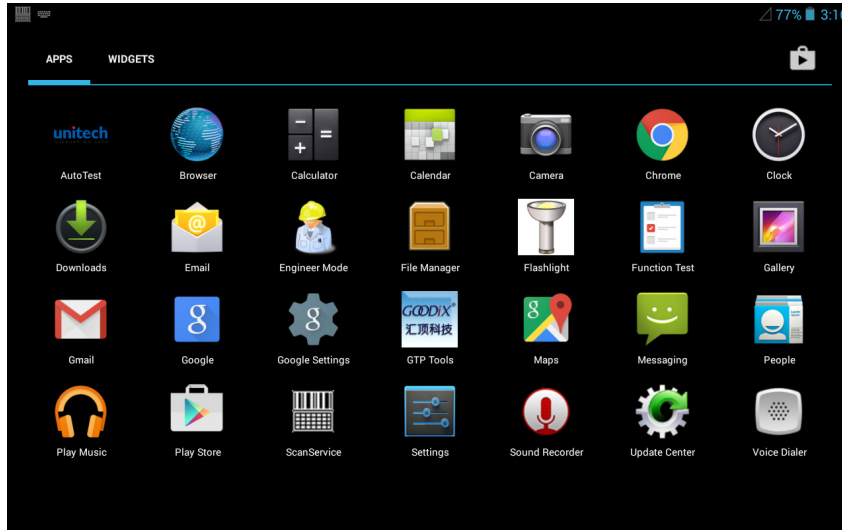
1. From your Home screen, tap .
2. Touch and hold an application icon and then the Home screen opens.
3. Drag the icon to the desired page on the Home screen by flicking left or right, then release your finger.

#### To Remove a shortcut of an application on the Home screen

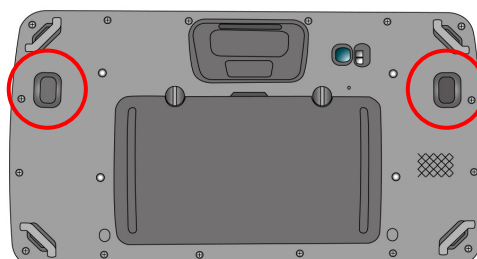
1. From your Home screen, touch and hold the icon of the desired application you want to remove
2. “**X Remove**” shows on the top of the home screen.
3. Drag the icon to be removed to the “**X Remove**”.

### 3.2 Barcode Scanning (For Imager Version only)

1. Tap the ScanService .



2. Aim the Bar code Scan Engine to the barcode and press one of two trigger buttons.





## 4. Specification

<b>Features</b>	
Android 4.3	
Ultra-Rugged Construction: IP65 rated, 1.2M drop and MIL-STD-810G certified	
Lightweight and compact design: Only 735g with 1D engine and battery	
Large 7-inch color multi-touch sunlight-readable display	
Built in 1D / 2D scanner, keypad, and 5 Megapixel camera	
Latest Bluetooth v4.0, GPS, Wi-Fi and wireless LAN 802.11 a/b/g/n quad-mode radios	
Swappable Battery: 5200mAh Li-ion battery pack	
<b>System Features</b>	
CPU	TI OMAP 4470 1.5Ghz Dual Core Processor
Memory	1GB Mobile DDR RAM 8GB eMMC Flash
OS	Android 4.3
Languages support	English, Simp. Chinese, Traditional Chinese, Japanese, Spanish, German, French
<b>Display</b>	
Gorilla Glass III with capacitive touch panel	
7" Color Transmissive 1280x800 dots LCD	
<b>Keypad</b>	
37 physical keys. Numeric and functionable keys	
1 LED indicate charge/Message Vibrator	
<b>Optional Modules</b>	
1D CCD Barcode scanner	
1D Laser	UPC-A/E, EAN-8/13, Codabar, Code 39, Code 39
Barcode Engine	full ASCII, Code 93, Code 32, Interleaved & Std. 2 of 5, EAN 128, Code 11, Delta, MSI/Plessey, Code 128, Toshiba, RSS expended, RSS Limited, RSS14.
2D Imager	
1D	All major codes
2D	PDF417, MicroPDF417, Composite, RSS, TLC-39, Datamatrix, QR code, Micro QR code, Aztec, MaxiCode, Postal Codes: US PostNet, US Planet, UK Postal, Australian Postal, Japan Postal Dutch Postal (KIX)
<b>Regulatory Approvals</b>	
CE, NCC, FCC, BSMI, VCCI, CCC, RoHS compliance	
<b>Communication</b>	
Camera and Flash Light	2M Pixels Front Camera 5M Pixels Rear Camera CMOS Sensor Camera with Auto focus, LED flash light

External storage	Support MicroSD memory card up to 32GB
USB	USB 2.0 OTG
WLAN	IEEE 802.11 a/b/g/n
Bluetooth	Bluetooth 4.0 with Bluetooth SIG certification
WWAN	GSM/GPRS/EDGE 850/900/1800/1900 MHzUMTS 850/900/1700/1900/2100 MHz WCDMA modem, HSPA+, DL: 21Mbps/ UL: 5.76Mbps.
GPS	GPS supports MS-assisted, MS-based and autonomous operation modes
Other Sensors	eCompass Light & Proximity sensor G-sensor
RFID	Frequency: 13.56MHz Tag Support: ISO15693, ISO14443A , ISO14443B Support NFC
<b>Power Source</b>	
Main Battery	Swappable Battery. 19.76 Wh 3.8V @5200mAh Li-ion battery pack
Backup Battery capacity	1 hour
<b>Enclosure</b>	
Weight	735g (1D); 724g (No engine) with battery
Dimension	264.5x143.7x18.8 (mm)
<b>Environmental</b>	
Operating temperature	14°F to 122°F (-10°C to 50°C)
Storage temperature	-4°F to 140°F (-20°C to 60°C)
Charging Temperature	32°F to 104°F (0°C to 40°C)
Relative Humidity	5% ~ 95% ( non-condensing )
Drop test to Concrete	1.2 meter MIL-STD 810G,Method 516.6,Procedure IV
Environmental Sealing	IP65 IEC/EN 60529 Standard
Vibration and Shock test	MIL-STD-810G, Method 514.6, Procedure I MIL-STD-810G,Method 514.6,Procedure II, Category 5
<b>Mobile Device Management Software and Service</b>	
MoboLink®	Device Management;Application Management;Event Triggers
<b>Accessories</b>	
Accessories	
Single Slot USB Client/Host Cradle with Battery Charger	
Handstrap	
5200 mAH standard Battery	
USB Communication Cable	
Power adaptor with universal plugs	



## Regulatory Compliance Statements

---

### **FCC Warning Statement**

This equipment has been tested and found to comply with the limits for a Class B digital device, pursuant to part 15 of the FCC rules. These limits are designed to provide reasonable protection against harmful interference in a residential installation. This equipment generates, uses and can radiate radio frequency energy and, if not installed and used in accordance with the instructions, may cause harmful interference with radio communications.

However, there is no guarantee that interference will not occur in a particular installation. If this equipment does cause harmful interference with radio or television reception, which can be determined by turning the equipment off and on, the user is encouraged to try to correct the interference by one or more of the following measures:

- Reorient or relocate the receiving antenna.
  - Increase the separation between the equipment and receiver.
  - Connect the equipment into an outlet on a circuit different from that to which the receiver is connected.
  - Consult the dealer or an experienced radio/TV technician for help.
1. This Transmitter must not be co-located or operating in conjunction with any other antenna or transmitter.
  2. This equipment complies with FCC RF radiation exposure limits set forth for an uncontrolled environment. To maintain compliance with FCC RF exposure requirements, avoid direct contact to the transmitting antenna during transmitting.
  3. Any changes or modifications (including the antennas) made to this device that are not expressly approved by the manufacturer may void the user's authority to operate the equipment.

## **FCC Label Statement**

This device complies with part 15 of the FCC rules. Operation is subject to the following two conditions:

1. This device may not cause harmful interference, and
2. This device must accept any interference received, including interference that may cause undesired operation.

## **RF Radiation Exposure Statement**

For body contact during operation, this phone has been tested and meets FCC RF exposure guidelines when used with an accessory that contains no metal and that positions the handset a minimum of 1.5 cm from the body. Use of other accessories may not ensure compliance with FCC RF exposure guidelines.

## **Canadian Compliance Statement**

This Class B Digital apparatus meets all requirements of the Canadian Interference-Causing Equipment Regulations.

Cet appareil numérique de la classe B respecte les exigences du Règlement sur le matériel brouilleur du Canada.

## **European Conformity Statement**

Declaration of Conformity with regards to the R&TTE 1999/5/EC and EMC 89/336/ EEC directives.

## **RoHS Statement**



This device conforms to RoHS (Reduction Of Hazardous Substances) European Union regulations that set maximum concentration limits on hazardous materials used in electrical and electronic equipment.

## TaiwanNCC Warning Statement

### 低功率電波輻射性電機管理辦法

第十二條：經型式認證合格之低功率射頻電機，非經許可，公司、商號或使用者均不得擅自變更頻率、加大功率或變更原設計之特性及功能。

第十四條：低功率射頻電機之使用不得影響飛航安全及干擾合法通信；經發現有干擾現象時，應立即停用，並改善至無干擾時方得繼續使用。低功率射頻電機需忍受合法通信或工業、科學及醫療用電波輻射性電機設備之干擾。

SAR 標準值 2.0W/Kg，送測產品實測值為 w/Kg

## Laser Information

---

The Unitech TB120 series is certified in the U.S. to conform to the requirements of DHHS/CDRH 21CFR Subchapter J and to the requirements of IEC 825-1. Class II and Class 2 products are not considered to be hazardous. The PA692 series contains internally a Visible Laser Diode (VLD) whose emissions do not exceed the maximum limits as set forth in the above regulations. The scanner is designed so that there is no human access to harmful laser light during normal operation, user maintenance or prescribed service operations.

The laser safety warning label required by the DHHS/IEC for the PA692 series' optional laser scanner module is located on the memory compartment cover, on the back of the unit.

**CAUTION!** Use of controls or adjustments or performance of procedures other than those specified herein may result in hazardous laser light.

Use of optical instruments with the scanner, including binoculars, microscopes, and magnifying glasses, with will increase eye damage. This does not include eyeglasses worn by the user.

## Battery Information

---

### CAUTION

RISK OF EXPLOSION IF BATTERY IS REPLACED BY AN INCORRECT TYPE.  
DISPOSE OF USED BATTERIES ACCORDING TO THE INSTRUCTION

警告

如果更換不正確之電池行事會有爆炸的風險  
請依製造商說明書處理用過之電池

警告

如果更換不正確之電池行事會有爆炸的風險  
請依製造商說明書處理用過之電池

## Hearing Damage Warning

---

### CAUTION

#### Zx.3 Warning

The warning shall be placed on the equipment, or on the packaging, or in the instruction manual and shall consist of the following:

- the symbol of Figure 1 with a minimum height of 5 mm; and
- the following wording, or similar:

To prevent possible hearing damage, do not listen at high volume levels for long periods.



Figure 1 – Warning label (IEC 60417-8044)

Alternatively, the entire warning may be given through the equipment display during use, when the user is asked to acknowledge activation of the higher level.