

Package

Please make sure the following contents are in the TB128 gift box.

If something is missing or damaged, please contact your unitech representative.

The standard package contents

- TB128
- Battery
- Hand Strap
- USB cable (Standard USB to Micro USB)
- Power Adapter
- Regulatory Compliance Statements
- Quick start Guide
- QR code card

Optional accessories

- Desk Dock Cradle

7" Rugged Tablet Computer

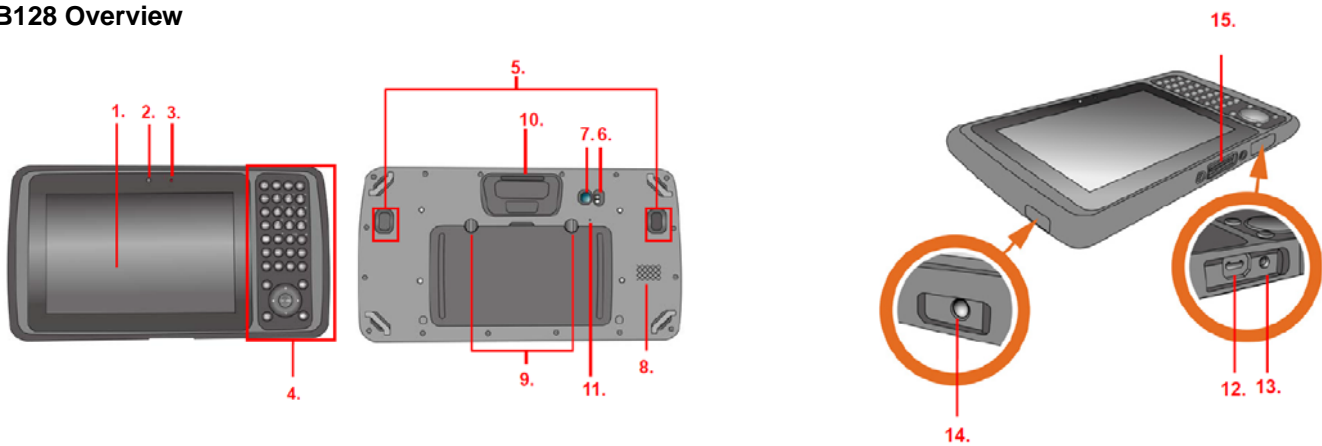
- TB128 -



Quick Start Guide

401268G V1.0

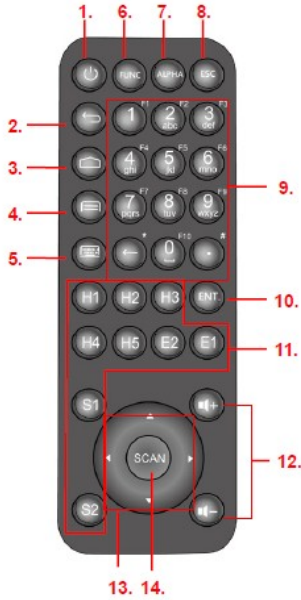
TB128 Overview



1. 7" LCD touchscreen	7. 8M pixels rear camera with AF
2. 2M pixels front camera	8. Speaker
3. LED indicator	9. Mounting screw for battery cover
4. Physical keyboard (37 keys)	10. Bar code Scan Engine
5. Trigger button	11. Reset button
6. LED flashlight	

12. Micro USB port	14. Earphone jack
13. DC-IN port	15. Cradle connector

Physical keyboard overview



1. Power on/off key
2. Android BACK key
3. Android HOME key
4. Android APP List key
5. Soft keypad on/off key
6. Function keys to enter F1-F10
7. Alpha key
8. Escape key
9. Alpha/Numeric keys
10. Enter key
11. H.E.S. keys (programmable)
12. Volume up/down keys
13. 4 directional keys
14. Scan key

-4-


Installing the Battery

- Using a proper tool (ex. a coin) to loosen the two screws on the battery cover by turning counterclockwise.
- Put battery into battery compartment and put back cover.
- Lock the two screws on the battery cover by turning clockwise.

Turning on the terminal for the first time

After you have initially charged your device for about 24 hours, the device is ready to be used. You can now start up your device. You can then set up the languages, WiFi setting, and date and time.

Power-On Button

Turn ON your device by pressing the power button  on the physical keyboard .

-5-

Checking the LED status

Status	LED	Description
Message	Blue light blinks	Message received
Power	Lights Red	The battery is charging.
		The battery level is between low and full.
	Solid Green light	Fully charged
Good Read		

-6-

- CAUTION!**
- To ensure the unit working properly, please keep all connectors away from the contaminants staying inside of them such as dust, grease, mud, and water. The negligence may cause the unit with no communication, short circuited, overheated and so on.
 - If the connector is damaged, please ensure the connector is being fully repaired before using the unit to avoid causing short circuited.

<http://www.ute.com/>

-7-