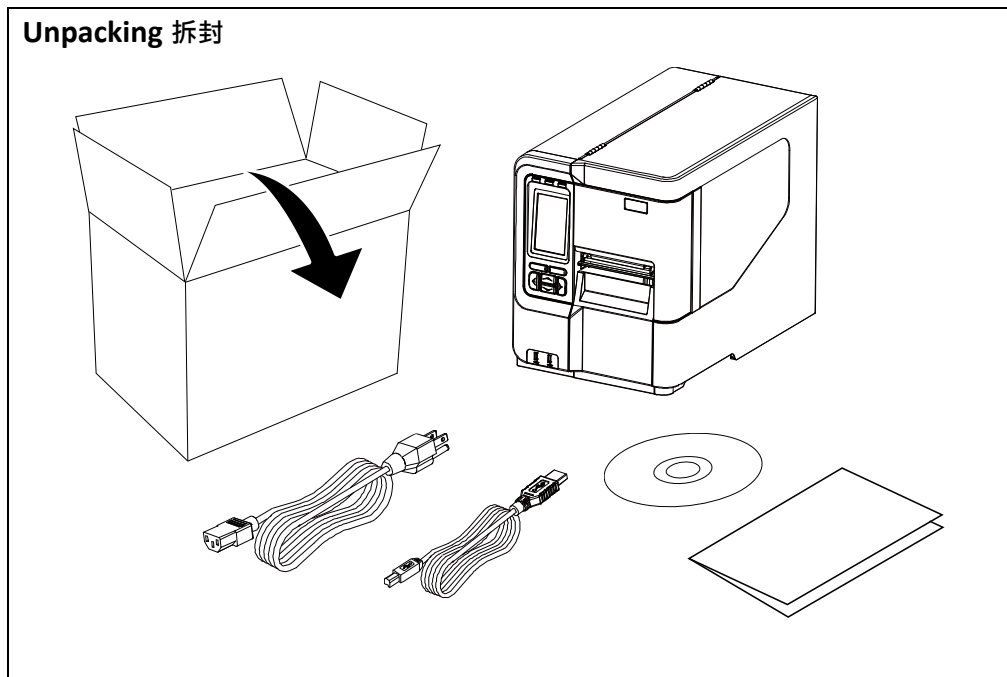
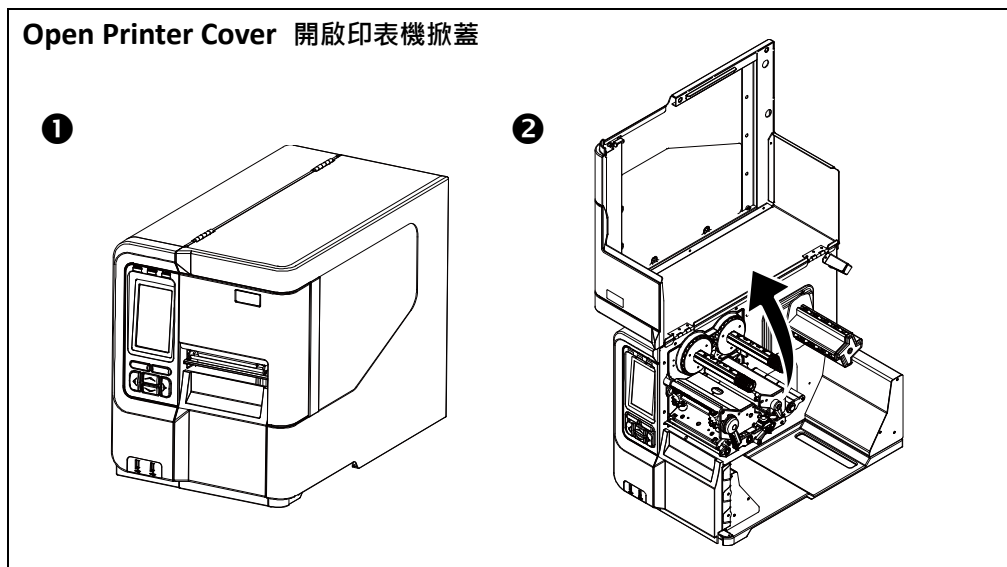


# User's Setup Guide 使用者安裝說明

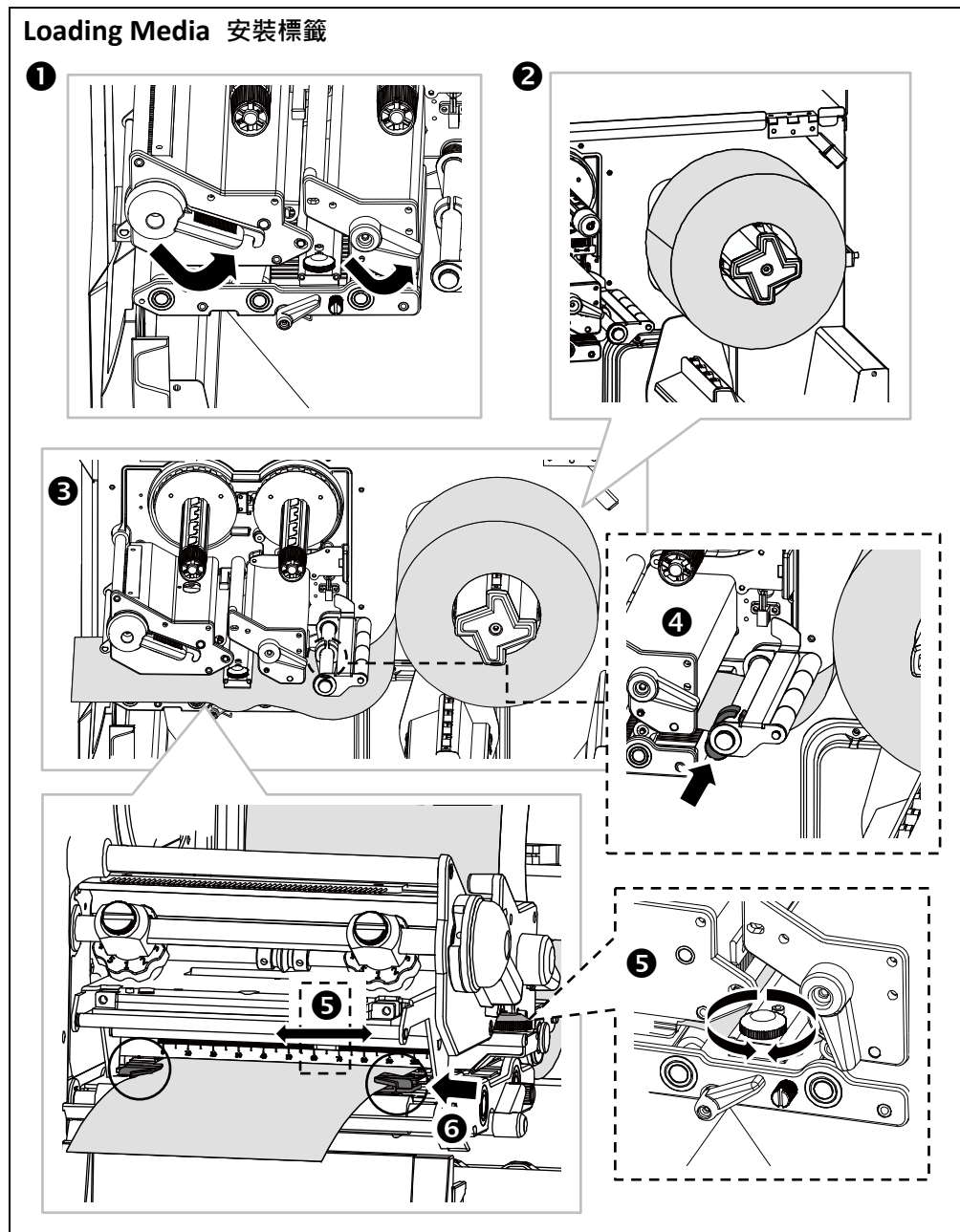
## Unpacking 拆封



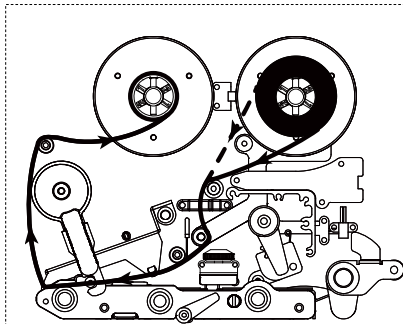
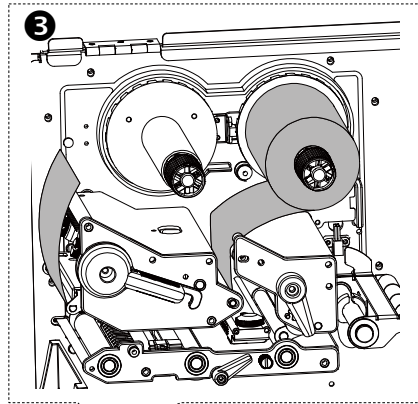
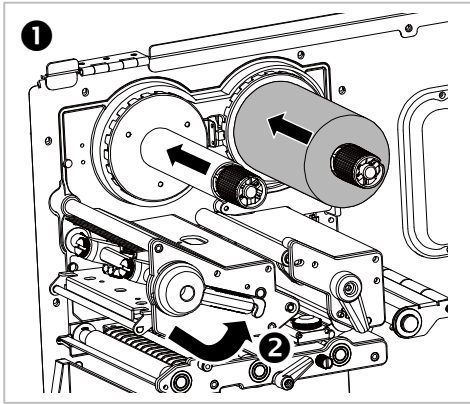
## Open Printer Cover 開啟印表機掀蓋



## Loading Media 安裝標籤

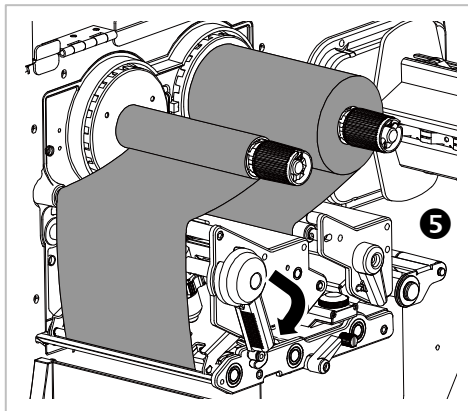
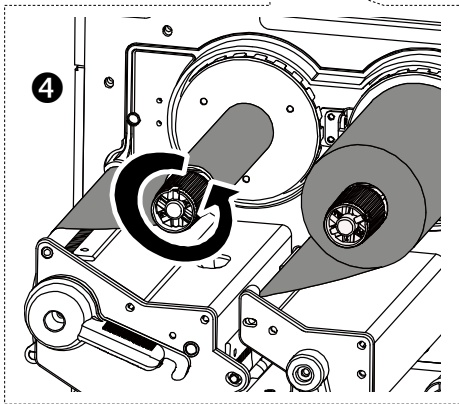


**Loading Ribbon 安裝碳帶**

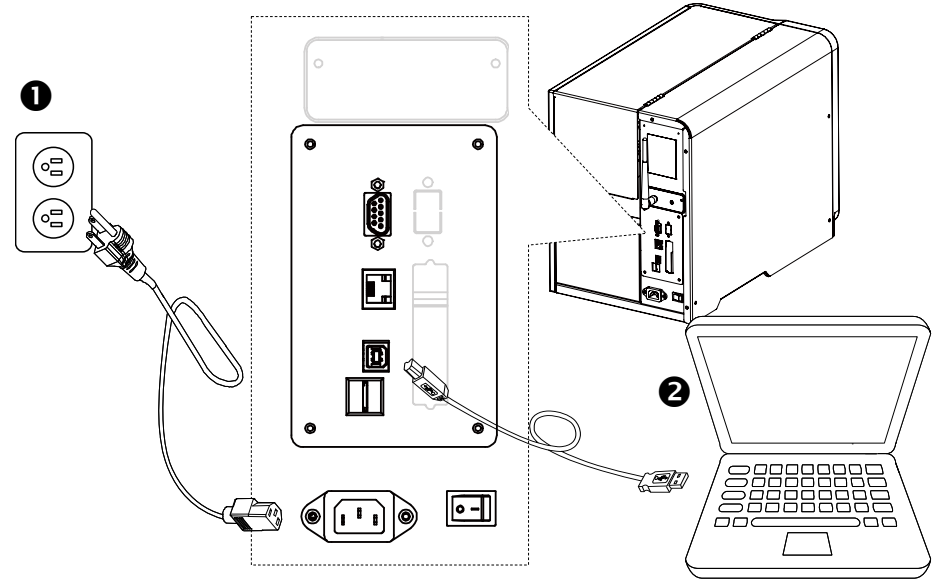


— Ink coated outside  
外捲式

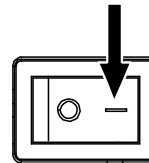
- - - Ink coated inside  
內捲式



**Attaching Power & Connecting Interface Cable 連接電源和傳輸線**



**Turn on Power 開啟電源**



**Installing Driver & Calibrating Sensor 安裝驅動程式和感應器校正**

